

Job Name: 25-0199 - Countryview Stormwater Imp. Ph. 3 Sec. 1
 Job Location: Henderson, KY 42420
 Contractor: Koberstein Contracting, Inc.

Plant: Beaver Dam, KY
 10/20/2025 12:27:42 PM

Tech: K. Cardwell
 PC: E. Bradley



Structure ID: 104

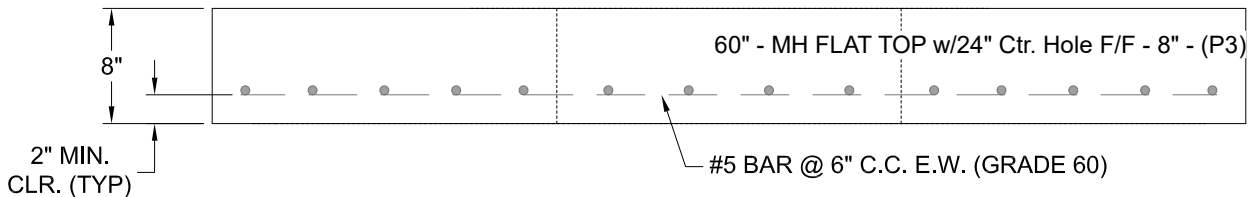
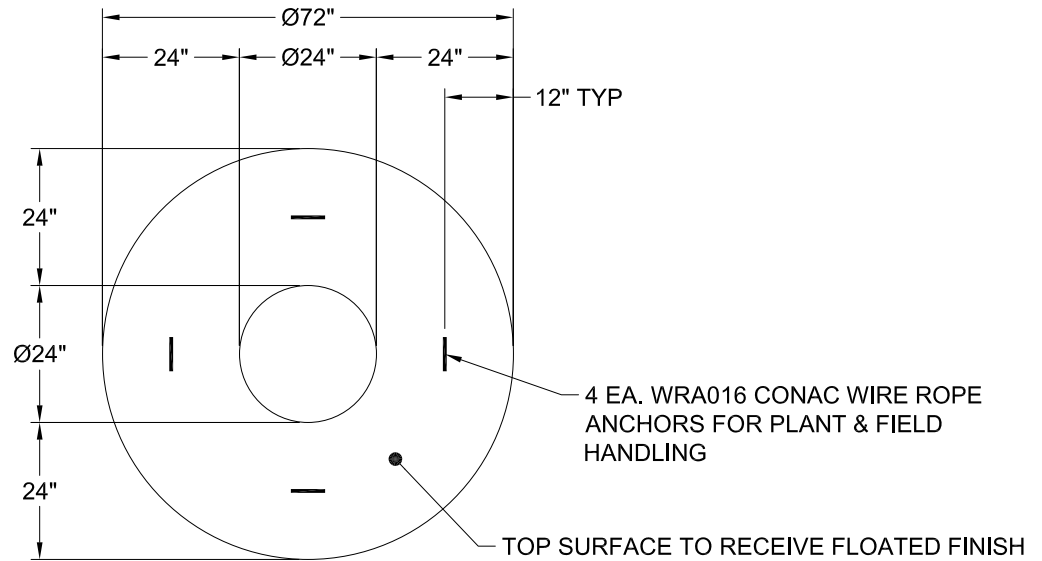
P3 MH060LD08CC

MH FLAT TOP w/24" Ctr. Hole F/F

- P4) 24" - CASTING HEIGHT - 7"
- P3) 60" - MH FLAT TOP w/24" Ctr. Hole F/F - 8"
- P2) 60" - MH RISER SPECIAL F/G - 30"
- P1) 60" - MH BASE T/n - 48"
- 2) 60" - Conseal CS-102 1.00"
- 2) Hole - 38
- 1) DOGHOUSE INVRTD - 16"x15"

	0 lb
	2429 lb
	3027 lb
	6524 lb
	0 lb
	0 lb
	0 lb
Structure Total:	11980 lb

- Structure Notes:**
 STATION: 2+62 LN A
1. PER ASTM C-478 SPECS
 2. CONCRETE: 4,000 PSI AT 28 DAYS
 3. REINFORCEMENT: #5 BAR @ 6" C.C. E.W. (GRADE 60) - 2" MIN. REBAR CLEARANCE (TYP)
 4. NO STEPS
 5. 7" CASTING SUPPLIED BY OTHERS
 6. LIFTERS: 4 EA. WRA016 CONAC WIRE ROPE ANCHORS FOR PLANT & FIELD HANDLING



Coating (Int): Coating (Ext):	Seam Up: Flat Seam Dn: Flat	Wall Thickness: 6"	Height (Ext): 8"	Weight (Net): 2429 lb Volume (Net): 0.62cu.yd
----------------------------------	--------------------------------	--------------------	------------------	--