

Job Name: 25-0199 - Countryview Stormwater Imp. Ph. 3 Sec. 1
Job Location: Henderson, KY 42420
Contractor: Koberstein Contracting, Inc.

PC: E. Bradley
 TECH: K. Cardwell
 Plant: Beaver Dam, KY



Structure ID: 103
 Spec: Storm
 Type: STM.MH
 Size: 60"

Rim: 375'
 Invert: 366.72'
 Rim to Invert: 8.28'

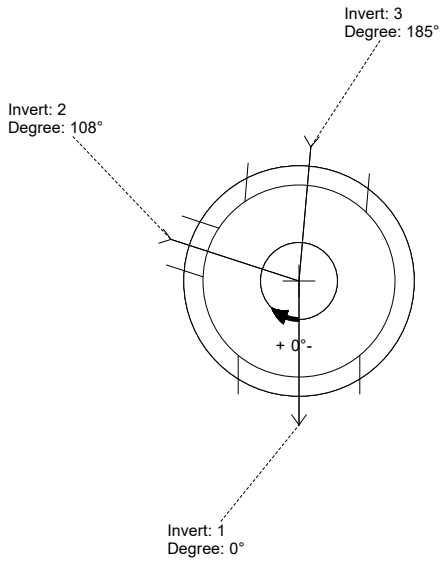
Sump: 2.55"
 Floor (Top): 366.508"
 Floor Height: 8"

Floor (Bot): 365.841'
 Overall Height: 8.917'
 Slack: 2.91"

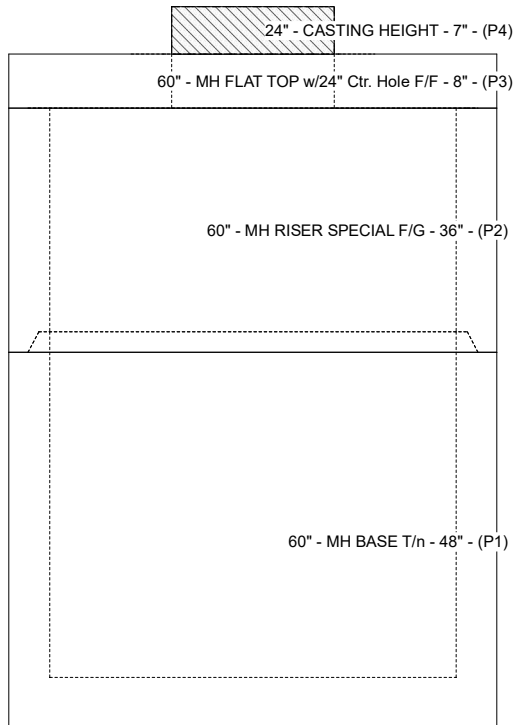
Structure Notes:
 STATION: 1+62 LN A
 1. PER ASTM C-478 SPECS
 2. CONCRETE: 4,000 PSI AT 28 DAYS
 3. REINFORCEMENT:
 - FLAT LID: #5 BAR @ 6" C.C. E.W. (GRADE 60)
 - BASE & RISER: PER ASTM A615
 4. NO STEPS
 5. 7" CASTING SUPPLIED BY OTHERS

STRUCTURE SUMMARY:

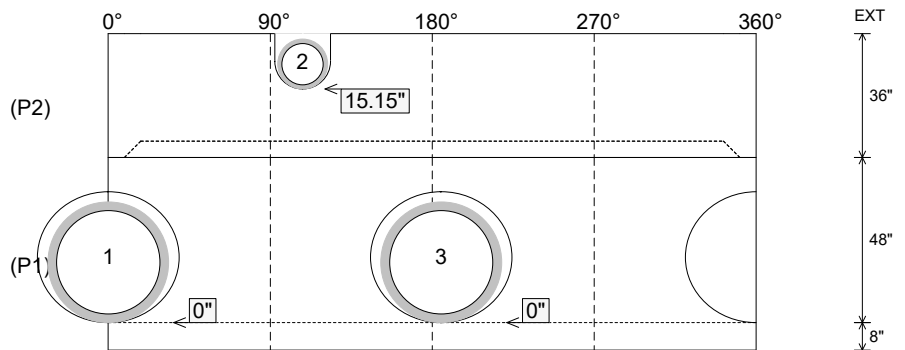
| | |
|--|-----------------|
| P4) 24" - CASTING HEIGHT - 7" | 0 lb |
| P3) 60" - MH FLAT TOP w/24" Ctr. Hole F/F - 8" | 2429 lb |
| P2) 60" - MH RISER SPECIAL F/G - 36" | 3641 lb |
| P1) 60" - MH BASE T/n - 48" | 6524 lb |
| 2) 60" - Conseal CS-102 1.00" | 0 lb |
| 2) Hole - 38 | 0 lb |
| 1) DOGHOUSE INVRTD - 16"x16" | 0 lb |
| Structure Total: | 12595 lb |



| Position | Elev | Angle | Pipe | Pipe OD | Hole | Connector | Up (') | Ref |
|----------|---------|-------|--------------|---------|-----------|-------------------------|--------|-----|
| Rim | 375' | | | | | | | |
| Reducer | | | | | | | | |
| Invert 1 | 366.72' | 0° | 30" ADS N-12 | 35.1" | 38" | Hole 38 | 0" | P1 |
| Invert 2 | 372.27' | 108° | 12" ADS N-12 | 14.5" | 16" x 16" | DOGHOUSE INVRTD 16"x16" | 15.15" | P2 |
| Invert 3 | 366.72' | 185° | 30" ADS N-12 | 35.1" | 38" | Hole 38 | 0" | P1 |
| Invert 4 | | | | | | | | |
| Invert 5 | | | | | | | | |
| Invert 6 | | | | | | | | |
| Invert 7 | | | | | | | | |
| Invert 8 | | | | | | | | |



Cast (Int. Dim.) - Interior Dimensions



Submittal Drawing
 10/20/2025 12:20:36 PM

SUBMITTAL
 APPROVED BY: