

Job Name: 25-0199 - Countryview Stormwater Imp. Ph. 3 Sec. 1  
 Job Location: Henderson, KY 42420  
 Contractor: Koberstein Contracting, Inc.

Plant: Beaver Dam, KY

Tech: K. Cardwell

10/20/2025 12:27:43 PM

PC: E. Bradley



**Structure ID: 101**

**P2 MH060LD13CC**

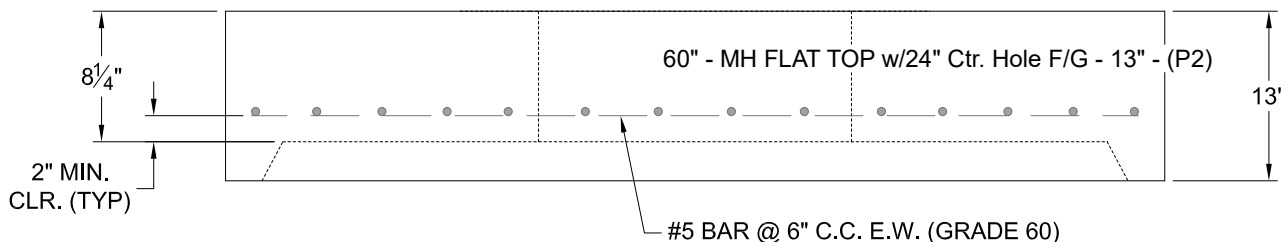
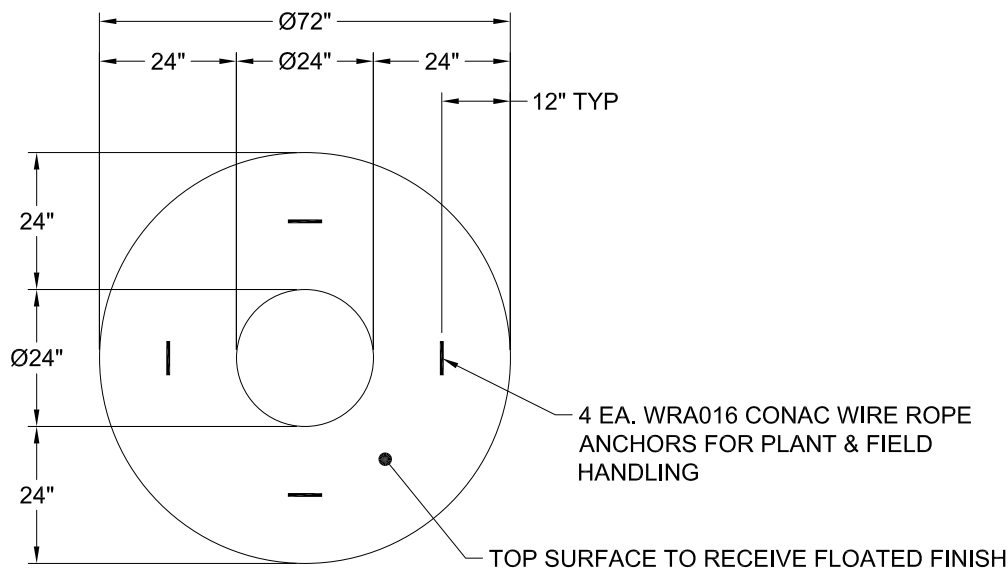
**MH FLAT TOP w/24" Ctr. Hole F/G**

- P3) 24" - CASTING HEIGHT - 7"
- P2) 60" - MH FLAT TOP w/24" Ctr. Hole F/G - 13"
- P1) 60" - MH BASE T/n - 60"
- 1) 60" - Conseal CS-102 1.00"
- 1) Hole - 38
- 1) Hole - 34

0 lb  
 2674 lb  
 7906 lb  
 0 lb  
 0 lb  
 0 lb  
 -----  
 10580 lb

Structure Total: 10580 lb

- Structure Notes:**  
 STATION: 0+66 LN A
1. PER ASTM C-478 SPECS
  2. CONCRETE: 4,000 PSI AT 28 DAYS
  3. REINFORCEMENT: #5 BAR @ 6" C.C. E.W. (GRADE 60) - 2" MIN. REBAR CLEARANCE (TYP)
  4. NO STEPS
  5. 7" CASTING SUPPLIED BY OTHERS
  6. LIFTERS: 4 EA. WRA016 CONAC WIRE ROPE ANCHORS FOR PLANT & FIELD HANDLING



Coating (Int): Coating (Ext):	Seam Up: Flat Seam Dn: Groove	Wall Thickness: 6"	Height (Ext): 13"	Weight (Net): 2674 lb Volume (Net): 0.68cu.yd
----------------------------------	----------------------------------	--------------------	-------------------	--