

Job Name: 25-0199 - Countryview Stormwater Imp. Ph. 3 Sec. 1
 Job Location: Henderson, KY 42420
 Contractor: Koberstein Contracting, Inc.

Plant: Beaver Dam, KY
 10/20/2025 12:26:47 PM

Tech: K. Cardwell
 PC: E. Bradley



Structure ID: 101

P1 MH060BA60

MH BASE T/n

- P3) 24" - CASTING HEIGHT - 7"
- P2) 60" - MH FLAT TOP w/24" Ctr. Hole F/G - 13"
- P1) 60" - MH BASE T/n - 60"
- 1) 60" - Conseal CS-102 1.00"
- 1) Hole - 38
- 1) Hole - 34

0 lb
 2674 lb
 7906 lb
 0 lb
 0 lb
 0 lb

 Structure Total: 10580 lb

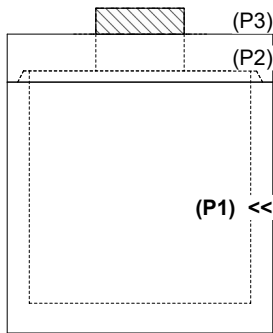
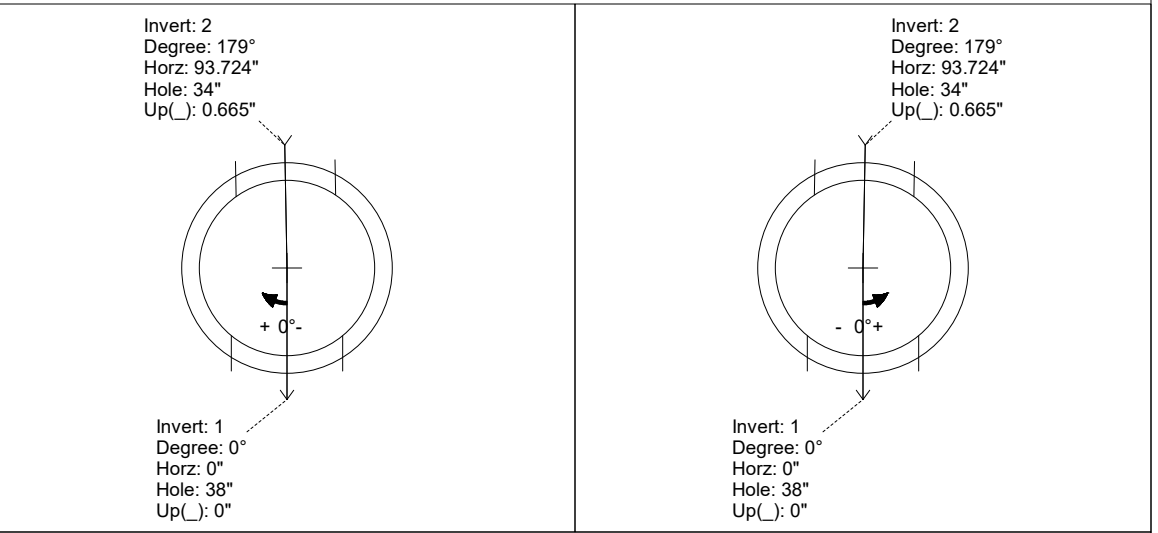
Structure Notes:
 STATION: 0+66 LN A
 1. PER ASTM C-478 SPECS
 2. CONCRETE: 4,000 PSI AT 28 DAYS
 3. REINFORCEMENT: PER ASTM A615
 4. NO STEPS
 5. 7" CASTING SUPPLIED BY OTHERS

Rim: 373' Rim to Invert: 6.64' Slack: 2.23" Sump: 2.55" Step Position:

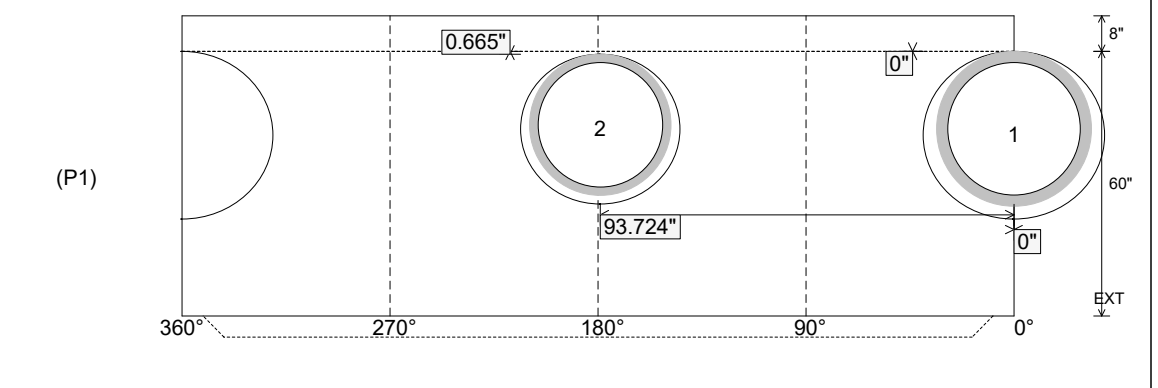
Position	Elev	Angle	Ext. (cw)	Pipe	Pipe OD	Connector	Hole	Horz Size	Up ()	Offset
Invert 1	366.36'	0°	0"	30" ADS N-12	35.1"	Hole 38	38"	41.151"	0"	0"
Invert 2	366.36'	179°	112.469"	30" C900 DR18	32"	Hole 34	34"	36.147"	0.665"	0"
Invert 3										
Invert 4										
Invert 5										
Invert 6										
Invert 7										
Invert 8										

RIGHT-SIDE UP VIEW (int. dimensions)

UPSIDE-DOWN VIEW (int. dimensions)



INSIDE WALL DIMENSIONS



Coating (Int):
 Coating (Ext):

Seam Up: Tongue
 Seam Dn: n/a

Wall Thickness: 6"
 Floor Height: 8"

Height (Int): 60"
 Height (Ext): 68"

Weight (Net): 7906 lb
 Volume (Net): 2.02cu.yd