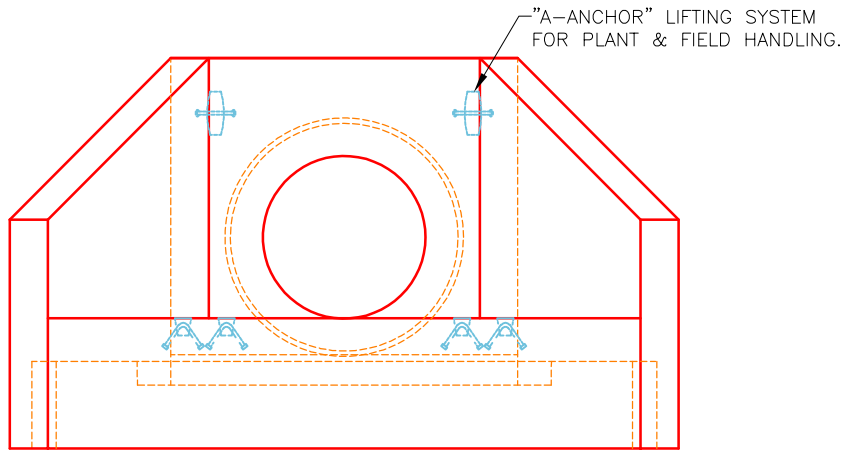


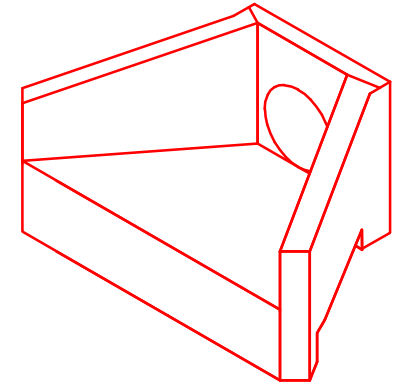
PLAN VIEW



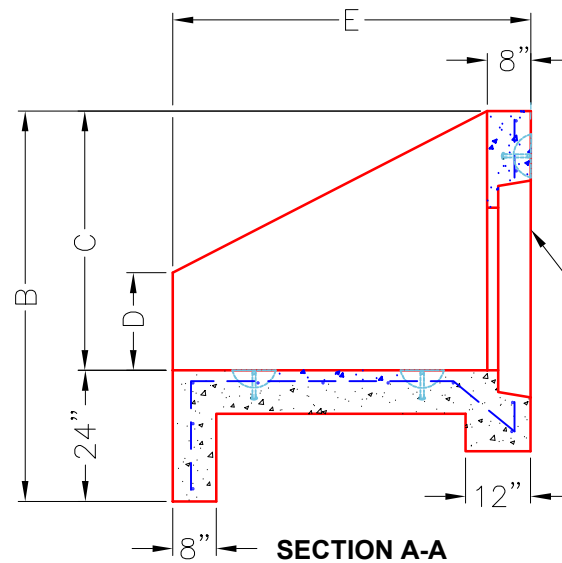
FRONT ELEVATION

100

DIMENSIONS									
PIPE ϕ	A	B	C	D	E	F	G	H	WEIGHT
30"	4'-6"	6'-0"	4'-0"	1'-6"	5'-0"	3'-6"	8'-8"	3'-8"	8,820 lbs.
36"	4'-6"	6'-0"	4'-0"	1'-6"	5'-0"	4'-0"	8'-8"	3'-8"	8,820 lbs.
42"	6'-0"	6'-7"	5'-5"	2'-0"	6'-2"	4'-6"	11'-0"	4'-10"	13,233 lbs.
48"	6'-0"	6'-7"	5'-5"	2'-0"	6'-2"	5'-2"	11'-0"	4'-10"	13,233 lbs.
54"	7'-4"	7'-8"	6'-6"	2'-6"	7'-4"	5'-8"	13'-8"	6'-0"	18,422 lbs.
60"	7'-4"	7'-8"	6'-6"	2'-6"	7'-4"	6'-4"	13'-8"	6'-0"	18,422 lbs.



ISOMETRIC VIEW



SECTION A-A

STEPPED HOLE FORMER FOR CORRESPONDING PIPE ϕ . (PIPE O.D. + 3"-4")

~NOTES:

1. CONCRETE: KYTC APPROVED.
2. REINFORCING: #5 BAR @ 12" C/C E.W.-GRADE 60, (WITH 2" CONCRETE COVER MINIMUM)
3. REINFORCING BARS TO BE TACK WELDED OR TIED.
4. PIPE AND LIFTING ANCHOR POCKETS TO BE GROUTED WITH KYTC APPROVED NON-SHRINK GROUT.
5. DRAWING TO BE USED IN CONJUNCTION WITH KYTC STD. DRAWING RDH-110-02, RDH-210-03 AND THE STANDARD SPECIFICATIONS FOR ROAD AND BRIDGE CONSTRUCTION.
6. $\frac{3}{4}$ " CHAMFER ON ALL EXPOSED EDGES.
7. PREFORMED STEPPED HOLE SIZED AS PER O.D. OF PIPE + 3"-4".

INFRASTRUCTURE PRECAST, INC.
 981 WEST 7TH ST., BEAVER DAM, KY. 42320
 PHONE: (270) 363-2238, FAX: (270) 298-7424

KYTC 30"-60" PIPE CULVERT HEADWALL

DRAWING NO.: KYTC PC-HW

DATE: 12-14-20

REVIEWED BY: J.H. ROSS, PE

DRAWN BY: N. RICHARDS

WEB: WWW.ICASTINC.COM

SCALE: NTS

