

Job Name: 24-4344 - LINCOLN LAKE DAM REHABILITATION

Job Location: Lincoln City, IN

Contractor: Omni Earthworks

PC: E. Bradley

TECH: J. Horsley - F

Plant: 100

Structure ID: **SDMH 503**

Spec: Storm

Type: STM.MH

Size: 48"

Rim: 431.4'

Invert: 426.1'

Rim to Invert: 5.3'

Sump: 8"

Floor (Top): 425.433'

Floor Height: 6"

Floor (Bot): 424.933'

Overall Height: 6.458'

Slack: 0.1"

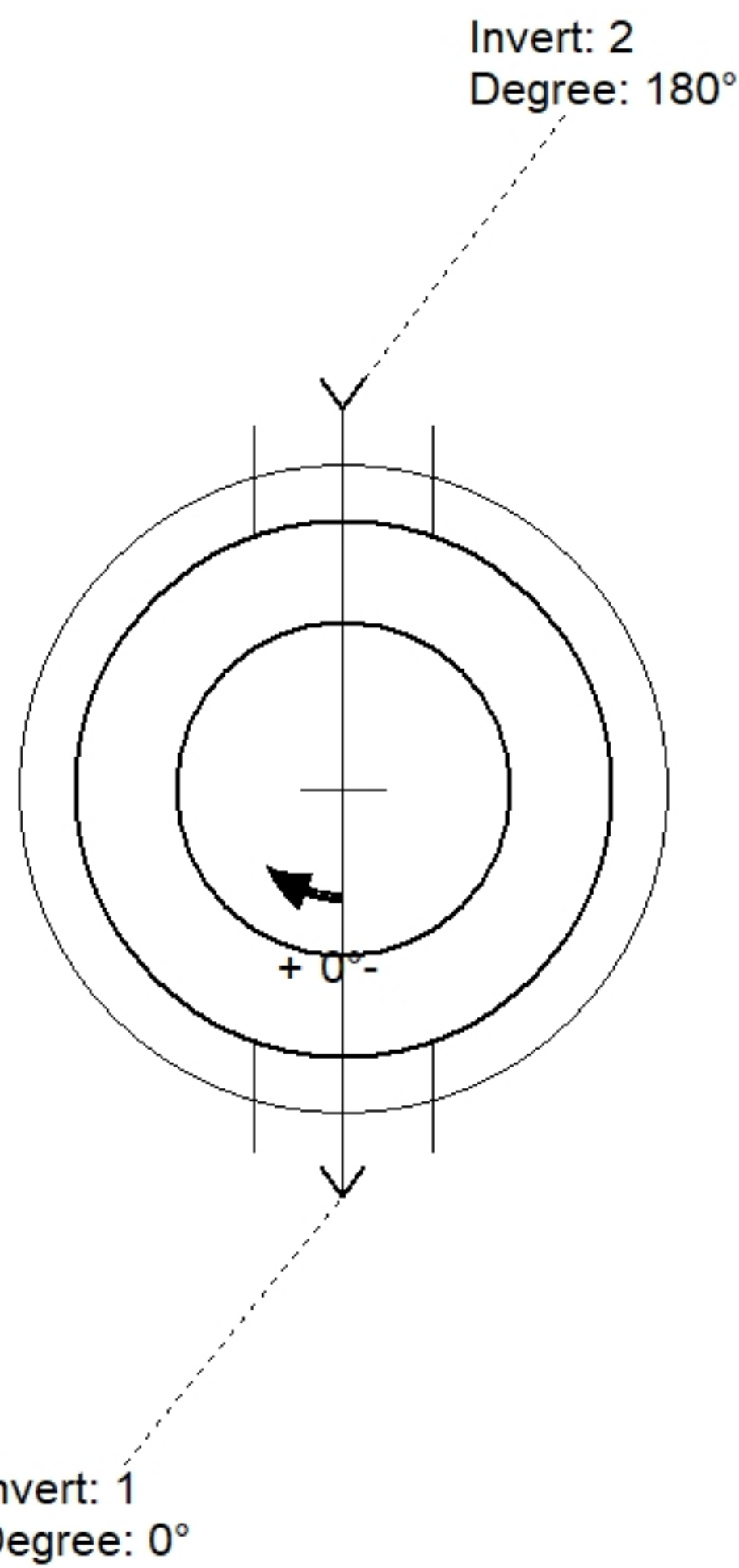
Structure Notes:

1. PER ASTM C478 SPECIFICATIONS.
2. CONCRETE = 4,000 PSI AT 28 DAYS.
3. NO STEPS AND NO INVERT CHANNEL.
4. CASTING BY I-CAST (EJ ERGO XL Fr./HINGED COVER (41421055L03)).

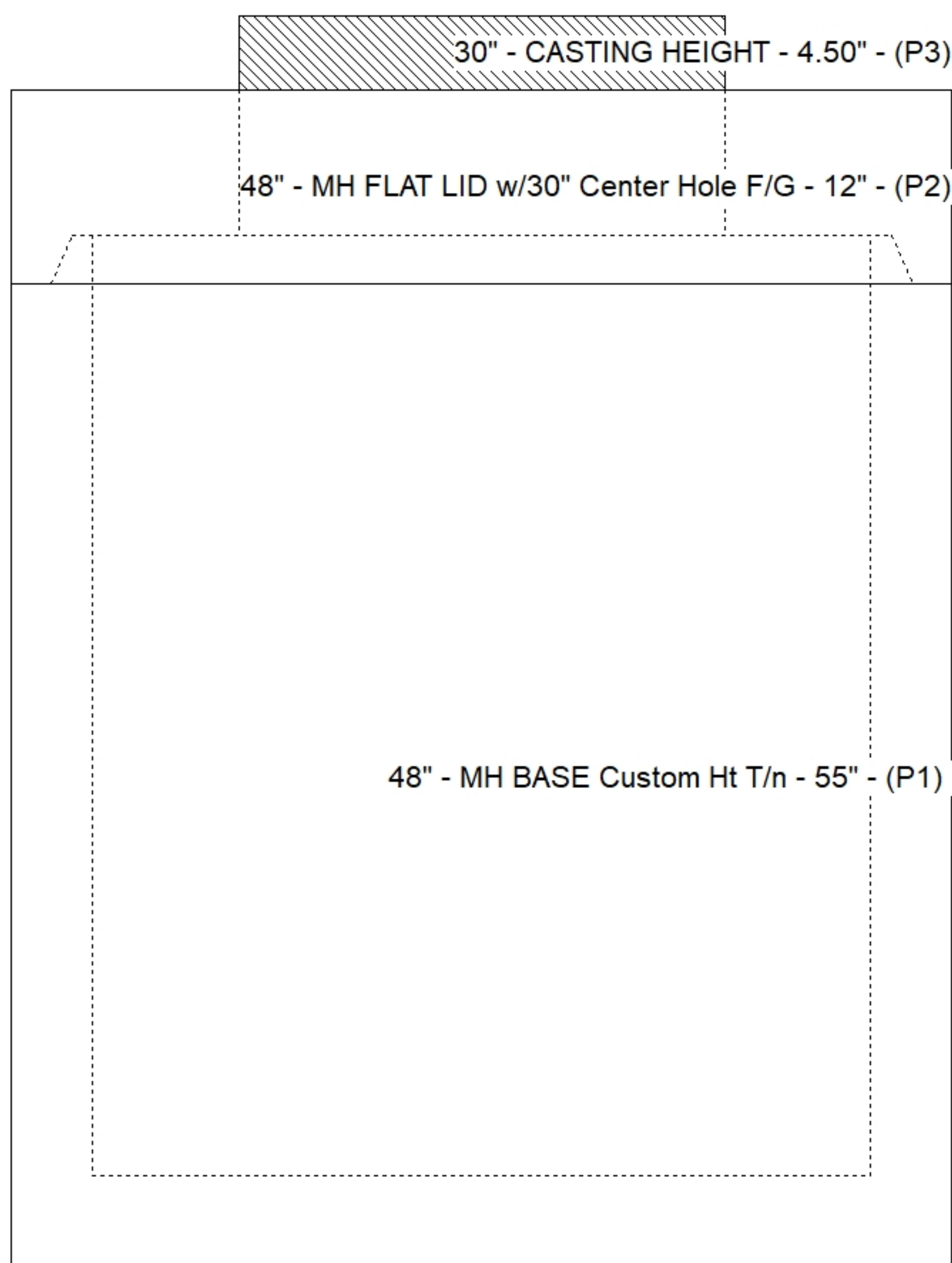
- REINFORCING PER ASTM A615 (GRADE 60).
- TOP SLAB (As .62) #5 BARS AT 6" C.C.E.W..
 - RISER/WALLS (As .12)
 - FLOOR (As .31) #5 BARS AT 12" C.C.E.W.

STRUCTURE SUMMARY:

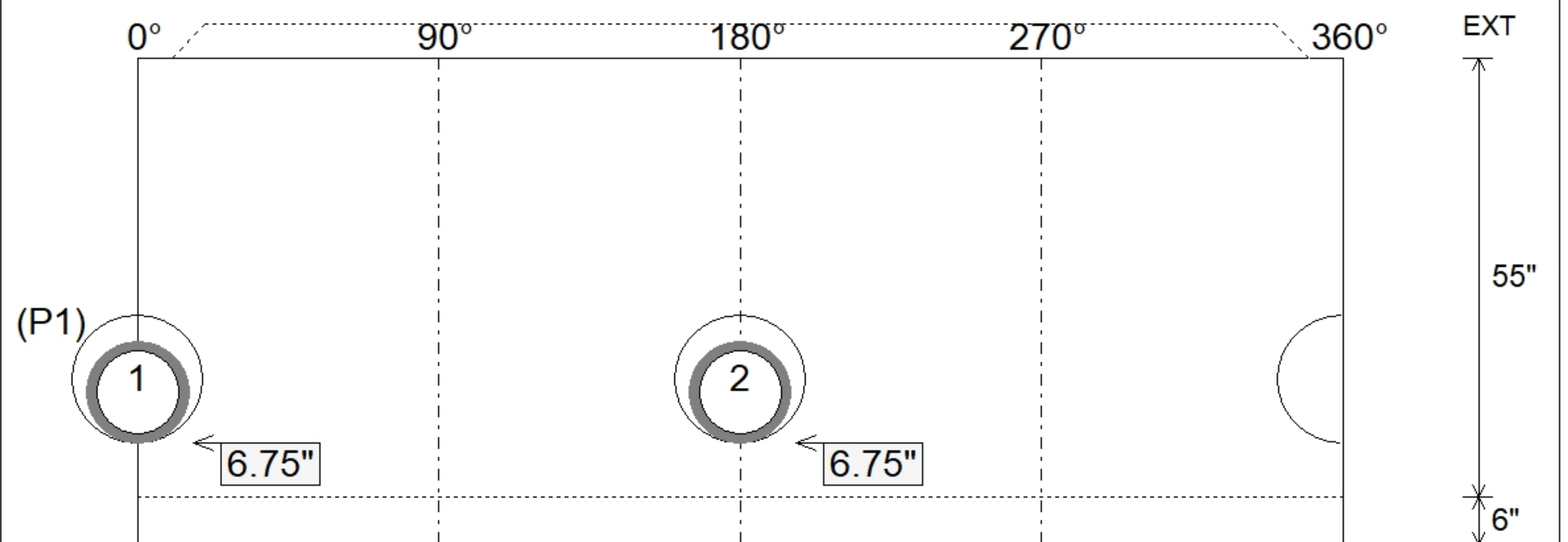
P3) 30" - CASTING HEIGHT - 4.50"	0 lb
P2) 48" - MH FLAT LID w/30" Center Hole F/G - 12"	1949 lb
P1) 48" - MH BASE Custom Ht T/n - 55"	5001 lb
1) Conseal CS-102 1.00" (Double)	0 lb
1) JOINT WRAP - 0.065"x6"x50' CONSEAL CS212	0 lb
1) JOINT WRAP PRIMER - CONSEAL CS-75 (1 gal.)	0 lb
1) CASTING - EJ ERGO XL Fr./Hinged Cover (41421055I03)	250 lb
2) PSX - 16M NYLO	16 lb
Structure Total:	7216 lb



Position	Elev	Angle	Pipe	Pipe OD	Hole	Connector	Up ()	Ref
Rim	431.4'							
Reducer								
Invert 1	426.1'	0°	12" HDPE DR11	12.75"	16"	PSX 16M NYLO	6.75"	P1
Invert 2	426.1'	180°	12" HDPE DR11	12.75"	16"	PSX 16M NYLO	6.75"	P1
Invert 3								
Invert 4								
Invert 5								
Invert 6								
Invert 7								
Invert 8								



Cast (Int. Dim.) - Interior Dimensions



Submittal Drawing
10/30/2025 9:20:39 PM

SUBMITTAL
APPROVED BY: