

|   |                       |                      |
|---|-----------------------|----------------------|
| Job Name: 24-4344 - LINCOLN LAKE DAM REHABILITATION | Plant: 100            | Tech: J. Horsley - F |
| Job Location: Lincoln City, IN                      | 10/30/2025 9:20:49 PM | PC: E. Bradley       |
| Contractor: Omni Earthworks                         |                       |                      |

**Structure ID: SDMH 503**

**P1 MH048BAVF**

**MH BASE Custom Ht T/n**

|  |                |
|--|----------------|
| P3) 30" - CASTING HEIGHT - 4.50"                       | 0 lb           |
| P2) 48" - MH FLAT LID w/30" Center Hole F/G - 12"      | 1949 lb        |
| P1) 48" - MH BASE Custom Ht T/n - 55"                  | 5001 lb        |
| 1) Conseal CS-102 1.00" (Double)                       | 0 lb           |
| 1) JOINT WRAP - 0.065"x6"x50' CONSEAL CS212            | 0 lb           |
| 1) JOINT WRAP PRIMER - CONSEAL CS-75 (1 gal.)          | 0 lb           |
| 1) CASTING - EJ ERGO XL Fr./Hinged Cover (41421055I03) | 250 lb         |
| 2) PSX - 16M NYLO                                      | 16 lb          |
| <b>Structure Total:</b>                                | <b>7216 lb</b> |

**Structure Notes:**

- PER ASTM C478 SPECIFICATIONS.
- CONCRETE = 4,000 PSI AT 28 DAYS.
- NO STEPS AND NO INVERT CHANNEL.
- CASTING BY I-CAST (EJ ERGO XL Fr./HINGED COVER (41421055L03)).

REINFORCING PER ASTM A615 (GRADE 60).

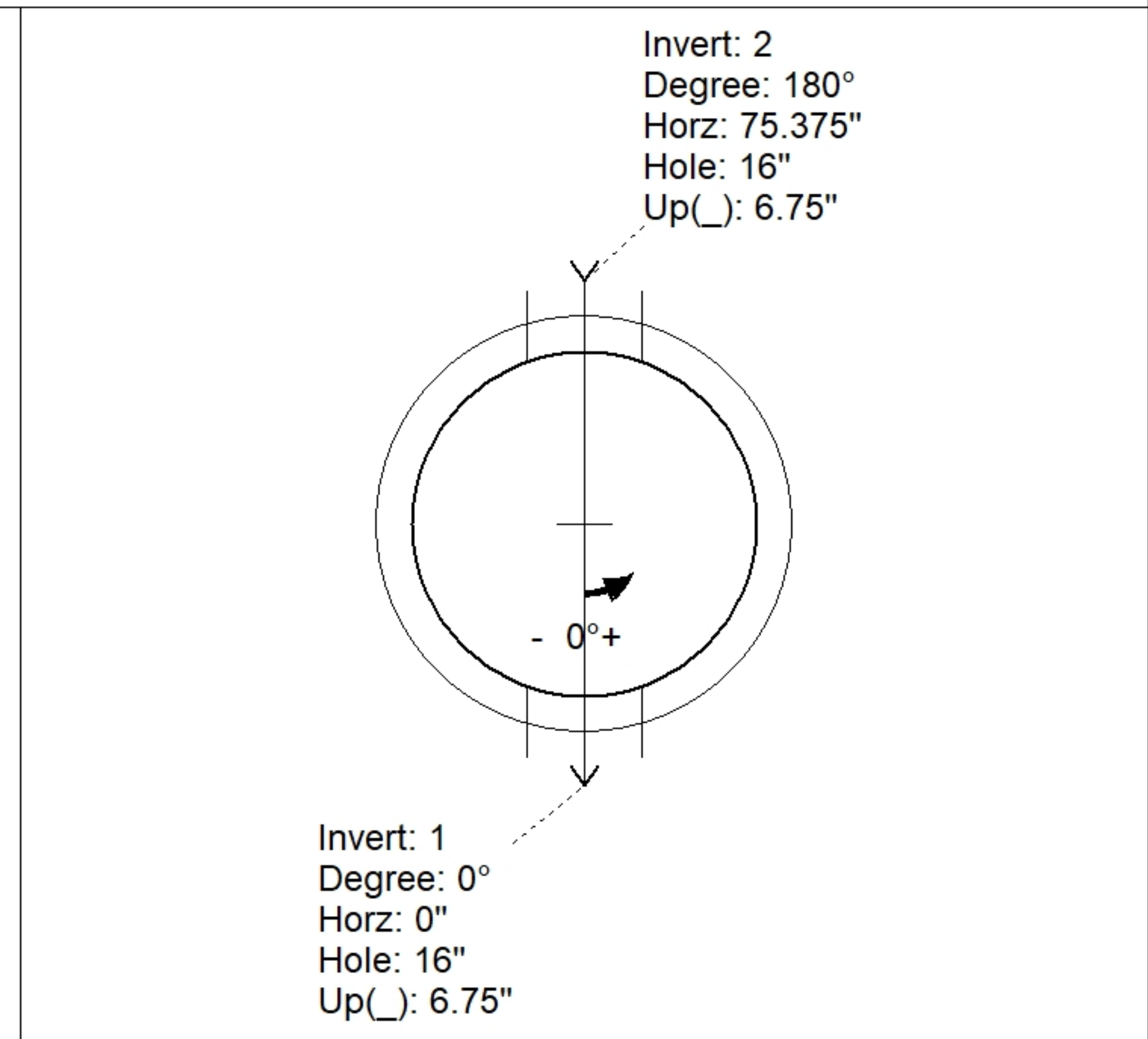
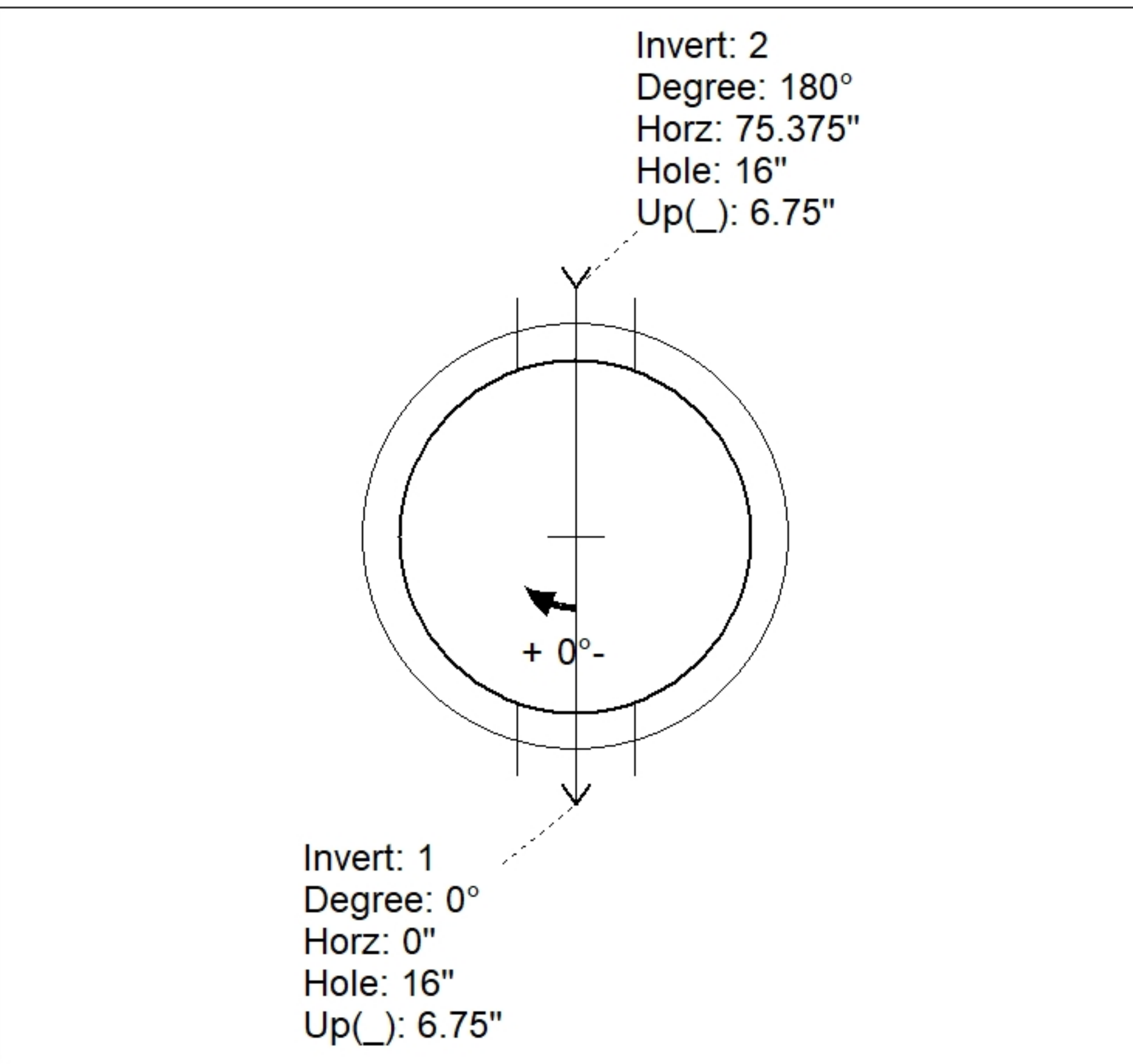
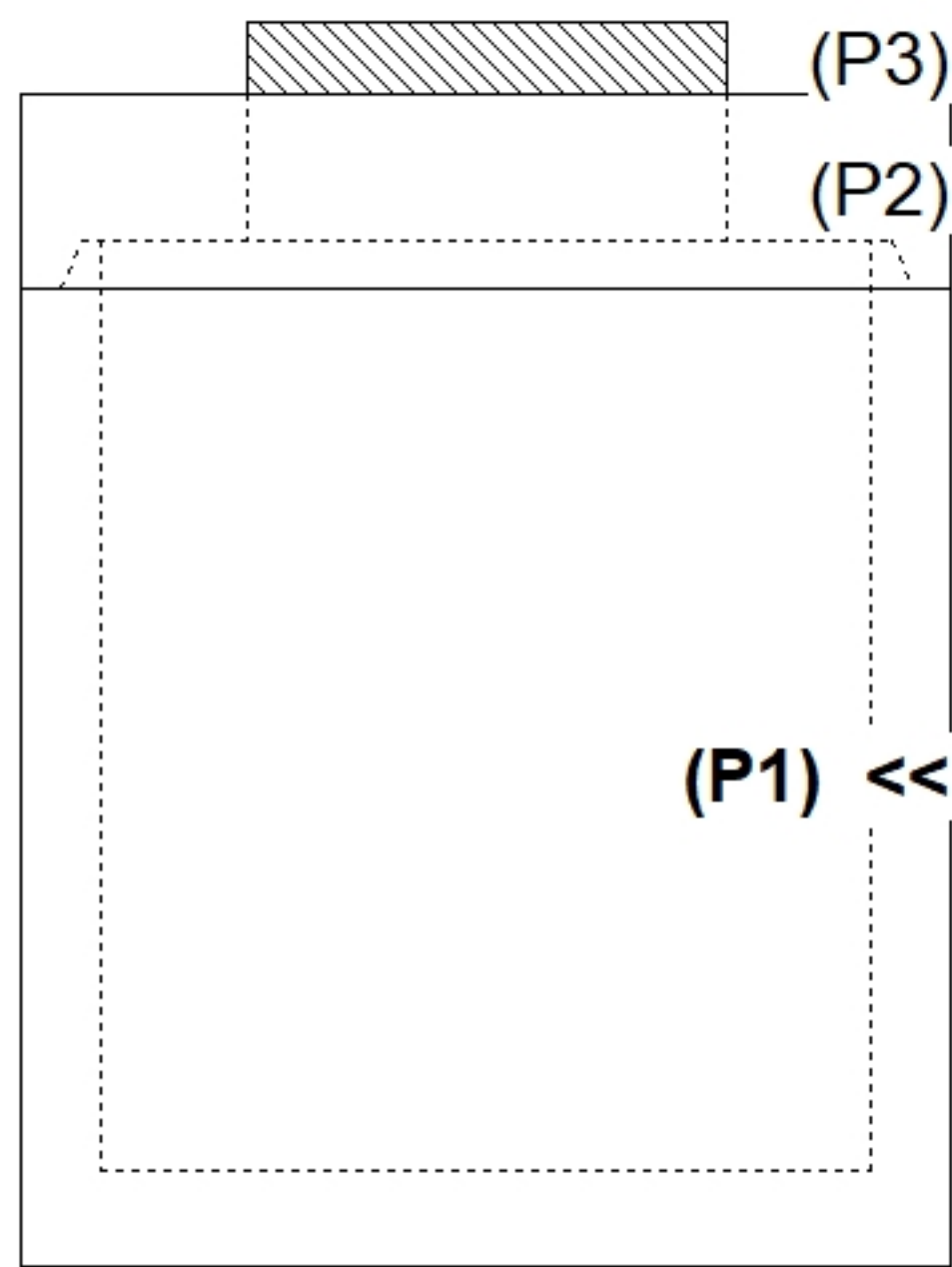
- TOP SLAB (As .62) #5 BARS AT 6" C.C.E.W..
- RISER/WALLS (As .12)
- FLOOR (As .31) #5 BARS AT 12" C.C.E.W.

Rim: 431.4'      Rim to Invert: 5.3'      Slack: 0.1"      Sump: 8"      Step Position:

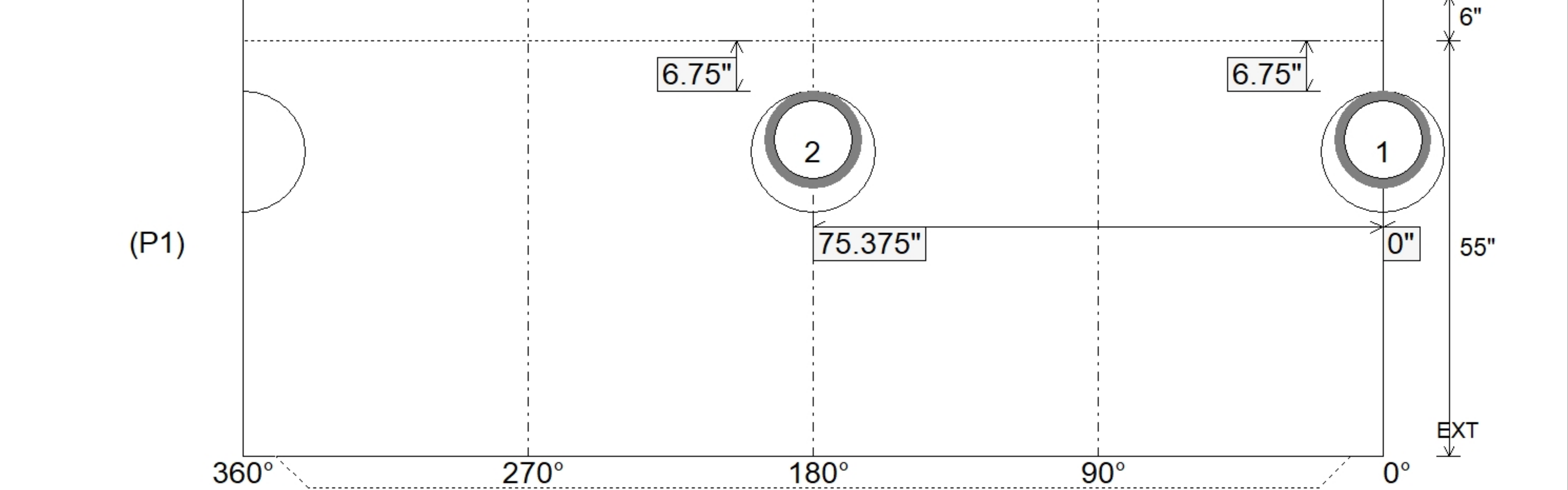
| Position | Elev   | Angle | Ext. (cw) | Pipe          | Pipe OD | Connector    | Hole | Horz Size | Up ( ) | Offset |
|----------|--------|-------|-----------|---------------|---------|--------------|------|-----------|--------|--------|
| Invert 1 | 426.1' | 0°    | 0"        | 12" HDPE DR11 | 12.75"  | PSX 16M NYLO | 16"  | 16.312"   | 6.75"  | 0"     |
| Invert 2 | 426.1' | 180°  | 91.125"   | 12" HDPE DR11 | 12.75"  | PSX 16M NYLO | 16"  | 16.312"   | 6.75"  | 0"     |
| Invert 3 |        |       |           |               |         |              |      |           |        |        |
| Invert 4 |        |       |           |               |         |              |      |           |        |        |
| Invert 5 |        |       |           |               |         |              |      |           |        |        |
| Invert 6 |        |       |           |               |         |              |      |           |        |        |
| Invert 7 |        |       |           |               |         |              |      |           |        |        |
| Invert 8 |        |       |           |               |         |              |      |           |        |        |

RIGHT-SIDE UP VIEW (int. dimensions)

UPSIDE-DOWN VIEW (int. dimensions)



INSIDE WALL DIMENSIONS



|                |                 |                    |                   |                         |
|----------------|-----------------|--------------------|-------------------|-------------------------|
| Coating (Int): | Seam Up: Tongue | Wall Thickness: 5" | Height (Int): 55" | Weight (Net): 5001 lb   |
| Coating (Ext): | Seam Dn: n/a    | Floor Height: 6"   | Height (Ext): 61" | Volume (Net): 1.28cu.yd |