

Job Name: 24-4344 - LINCOLN LAKE DAM REHABILITATION

Job Location: Lincoln City, IN

Contractor: Omni Earthworks

PC: E. Bradley

TECH: J. Horsley - F

Plant: 100

Structure ID: **SDMH 502**

Spec: Storm

Type: STM.MH

Size: 60"

Rim: 457.3'

Invert: 449.76'

Rim to Invert: 7.54'

Sump: 8"

Floor (Top): 449.093'

Floor Height: 8"

Floor (Bot): 448.427'

Overall Height: 8.833'

Slack: 0.48"

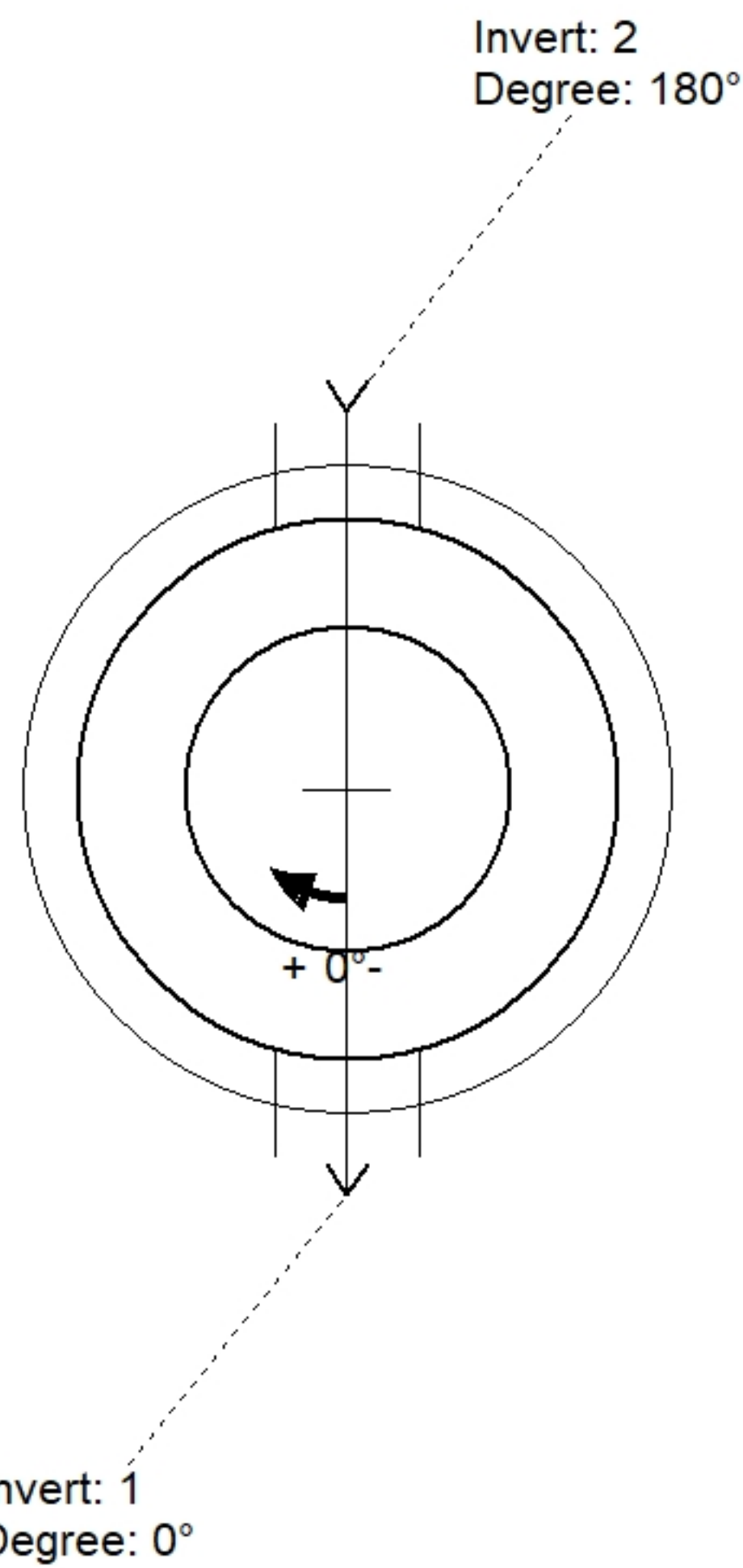
Structure Notes:

1. PER ASTM C478 SPECIFICATIONS.
2. CONCRETE = 4,000 PSI AT 28 DAYS.
3. NO STEPS AND NO INVERT CHANNEL.
4. CASTING BY I-CAST (EJ ERGO XL Fr./HINGED COVER 41600521L01)).

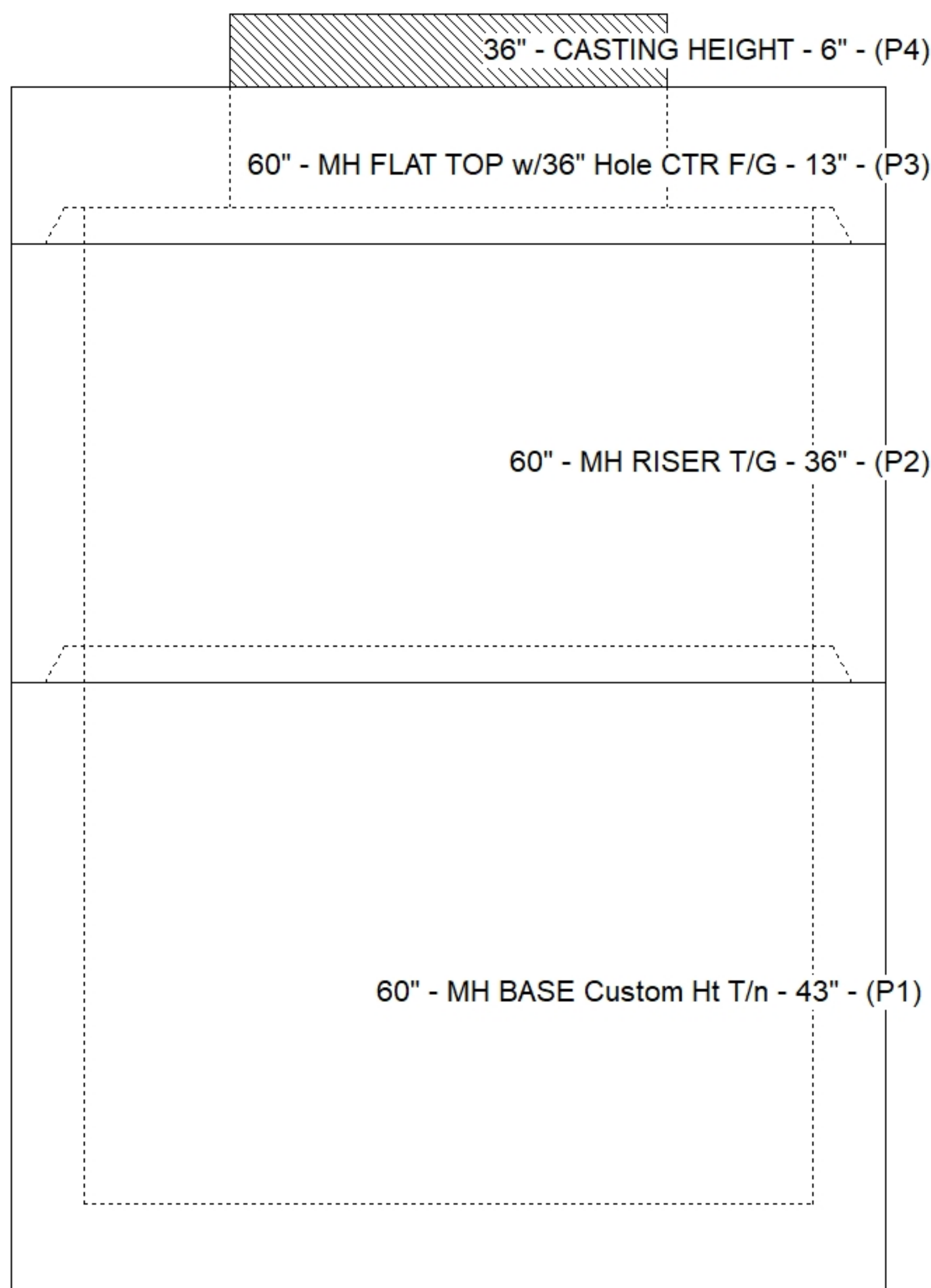
- REINFORCING PER ASTM A615 (GRADE 60)..
- TOP SLAB (As .62) #5 BARS AT 6" C.C.E.W..
 - RISER/WALLS (As .18)
 - FLOOR (As .37) #5 BARS AT 10" C.C.E.W.

STRUCTURE SUMMARY:

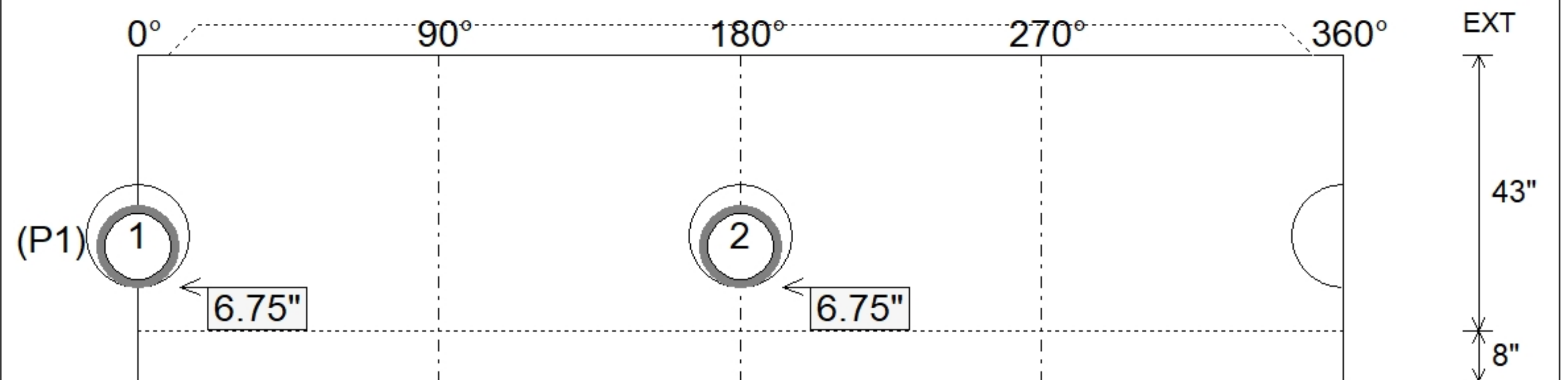
P4) 36" - CASTING HEIGHT - 6"	0 lb
P3) 60" - MH FLAT TOP w/36" Hole CTR F/G - 13"	3331 lb
P2) 60" - MH RISER T/G - 36"	3758 lb
P1) 60" - MH BASE Custom Ht T/n - 43"	7018 lb
1) CASTING - EJ ERGO XL Fr./Hinged Cover (41600521L01)	250 lb
1) Conseal CS-102 1.00" (Double)	0 lb
1) JOINT WRAP - 0.065"x6"x50' CONSEAL CS212	0 lb
1) JOINT WRAP PRIMER - CONSEAL CS-75 (1 gal.)	0 lb
2) PSX - 16M NYLO	16 lb
Structure Total:	14373 lb



Position	Elev	Angle	Pipe	Pipe OD	Hole	Connector	Up (")	Ref
Rim	457.3'							
Reducer								
Invert 1	449.76'	0°	12" HDPE DR11	12.75"	16"	PSX 16M NYLO	6.75"	P1
Invert 2	449.76'	180°	12" HDPE DR11	12.75"	16"	PSX 16M NYLO	6.75"	P1
Invert 3								
Invert 4								
Invert 5								
Invert 6								
Invert 7								
Invert 8								



Cast (Int. Dim.) - Interior Dimensions



Submittal Drawing
10/30/2025 9:20:37 PM

SUBMITTAL
APPROVED BY: