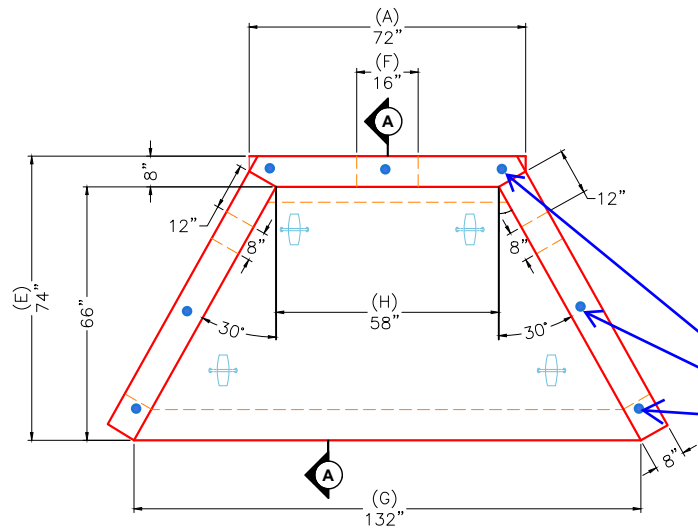


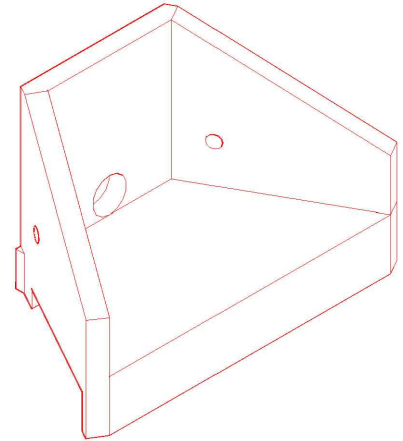
DIMENSIONS									
PIPE ϕ	A	B	C	D	E	F	G	H	WEIGHT
12"	6'-0"	7'-5"	5'-5"	2'-0"	6'-2"	1'-4"	11'-0"	4'-10"	14,822 LBS.



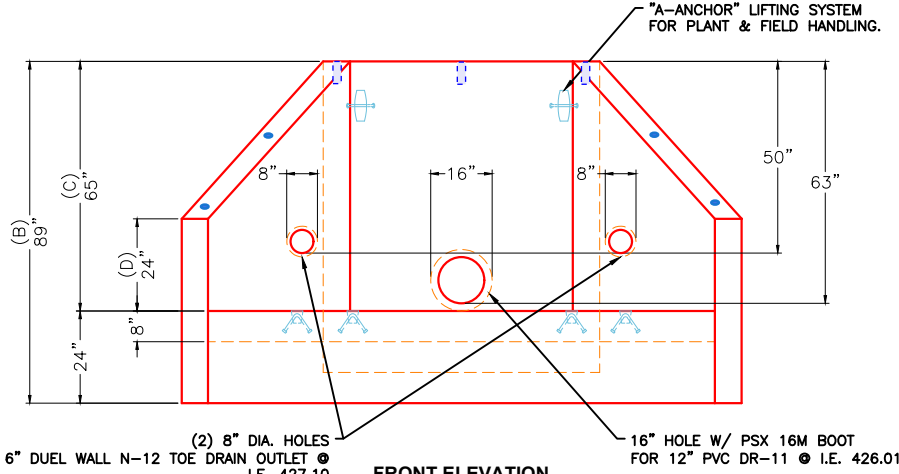
NOTES:

1. CONCRETE: 4500 PSI @ 28 DAYS.
2. REINFORCING: #5 BAR @ 12" C/C E.W.-GRADE 60, (WITH 2" CONCRETE COVER MINIMUM)
3. REINFORCING BARS TO BE TACK WELDED OR TIED.
4. $\frac{3}{8}$ " CHAMFER ON ALL EXPOSED EDGES.

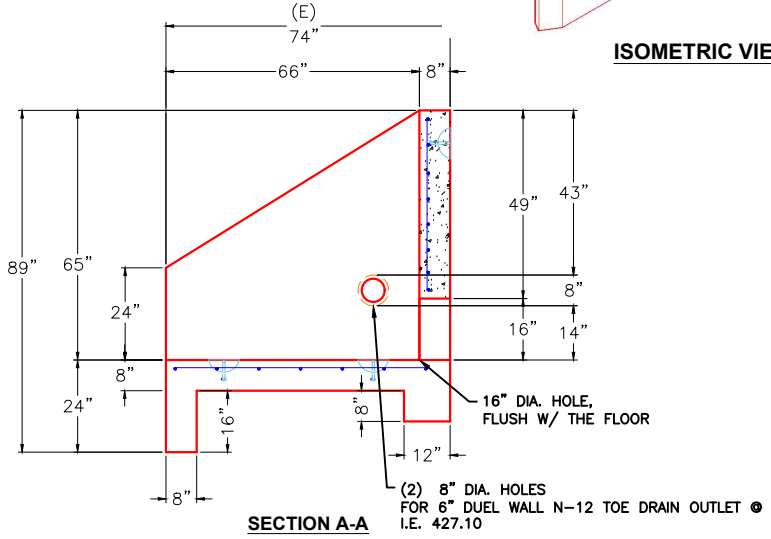
**3" DIA x 6" DEEP
FENCE POST HOLE
3 EA. TOP OF BACK WALL
2 EA. TOP OF WINGS**



ISOMETRIC VIEW




FRONT ELEVATION



SECTION A-A

**HW PIPE CULVERT
48" CUSTOM**

PRODUCTION WORK ORDER		PRODUCT I.D.: HWPCCUS	DESCRIPTION: OUTFALL STRUCTURE NO. 504 HW	
	QUALITY CONTROL CHECKLIST	PRODUCT VIEW: RIGHT SIDE UP	CUSTOMER: OMNI EARTHWORKS	
	<input type="checkbox"/> ALL DIMENSIONS CORRECT.	PLANT: 100	PROJECT: LINCOLN LAKE DAM REHABILITATION	
	<input type="checkbox"/> LIFTERS INSTALLED.	WEIGHT: 14,821 LBS.	STRUCTURE: HW 504 P1 HWPCCUS	
	<input type="checkbox"/> OPENING CENTERED.	TOP SECTION JOINT: N/A	ORDER NO: 24-4344	DRAWING: FMT
	<input type="checkbox"/> REINFORCING CORRECT.	BASE SECTION JOINT: N/A	PE: E. BRADLEY	DATE: 10/21/25
<input type="checkbox"/> SURFACE QUALITY ACCEPTABLE.	QC CHECK INITIALS:	SCALE: NTS	PG. 1 of 1	
<input type="checkbox"/> EDGES CHAMFERED.				
<input type="checkbox"/> ALL PATCHWORK ACCEPTABLE.				

THIS DRAWING IS THE PROPERTY OF INFRASTRUCTURE PRECAST, INC. ANY USE OR DUPLICATION OF THIS DRAWING WITHOUT PRIOR AUTHORIZATION IS STRICTLY PROHIBITED.