

Job Name: 24-4340B - East Leafdale Water Main Upgrade
 Job Location: Hodgenville, KY
 Contractor: Ferguson Waterworks #1491

Plant: 100

Tech: J. Horsley - F

11/14/2025 10:40:38 AM

PC: C. Goff

Structure ID: Vault

P2 BX060096-08LD06S

BX FLAT LID 6inWall w/30"x42" HATCH F/F

- P3) 30" x 42" - CASTING HEIGHT - 0"
- P2) 60" x 96" - BX FLAT LID 6inWall w/30"x42" HATCH F/F - 8"
- P1) 60" x 96" - BOX BASE 6inW, 6inF, Variable Ht F/n - 60"
- 1) LADDER (Alum.) - HALLIDAY L1D 72in Wall-Floor mount ladder
- 1) LADDER (Alum.) - HALLIDAY L1E 72in Ladder Extension
- 1) HATCH (Alum.) - HALLIDAY W1S 30"x42"
- 1) Hole - 6
- 2) Hole - 5

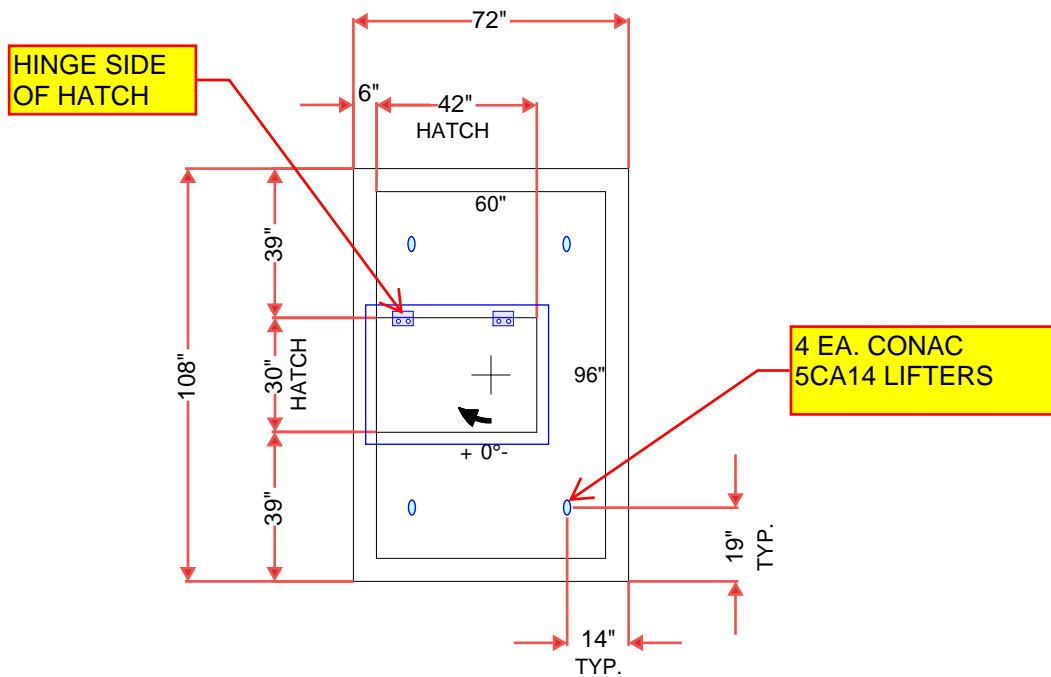
0 lb
 4374 lb
 14031 lb
 65 lb
 65 lb
 77 lb
 0 lb
 0 lb

 Structure Total: 18612 lb

Structure Notes:

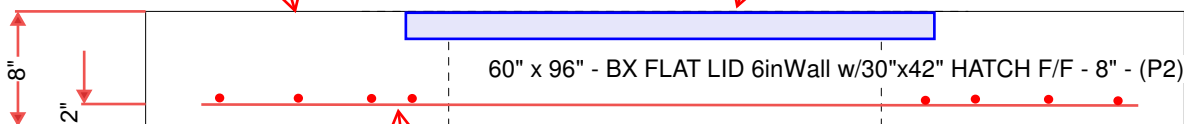
1. PER ASTM C913 SPECIFICATIONS.
2. CONCRETE = 4,000 PSI AT 28 DAYS.
3. NO STEPS AND NO INVERT CHANNEL.
4. HATCH BY ICAST (HALLIDAY W1S 30"x42").
5. AL LADDER W/SAFETY POST BY ICAST.

REINFORCING PER ASTM A615 (GRADE 60).
 - TOP SLAB (As .62) #5 BARS AT 6" C.C.E.W.
 - WALLS (As .47) #5 BARS AT 8" C.C.E.W.
 - FLOOR (As .47) #5 BARS AT 8" C.C.E.W.



LITE BROOM FINISH ON TOP SURFACE

HALLIDAY W1S 30"x42" ALUM. HATCH SUPPLIED BY ICAST TO BE CAST FLUSH



(2) #5 BARS AT 3" C/C EACH SIDE OF HATCH TYP. SPA = #5 BARS AT 6" C.C.E.W.

Coating (Int):
 Coating (Ext):

Seam Up: Flat
 Seam Dn: Flat

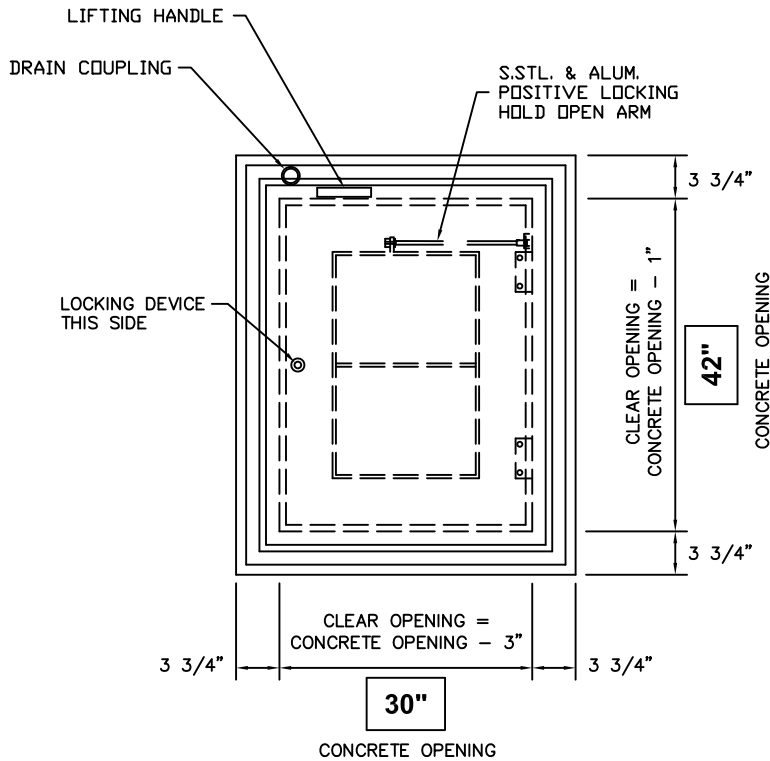
Wall Thickness: 6"

Height (Ext): 8"

Weight (Net): 4374 lb
 Volume (Net): 1.12cu.yd



MODEL NO. W1S030042CBD-F-----
 QUANTITY: 1
 DOCUMENT NO. Q103657
 DATE: 10/30/25
 LOCATION/TAG: Larue Leafdale

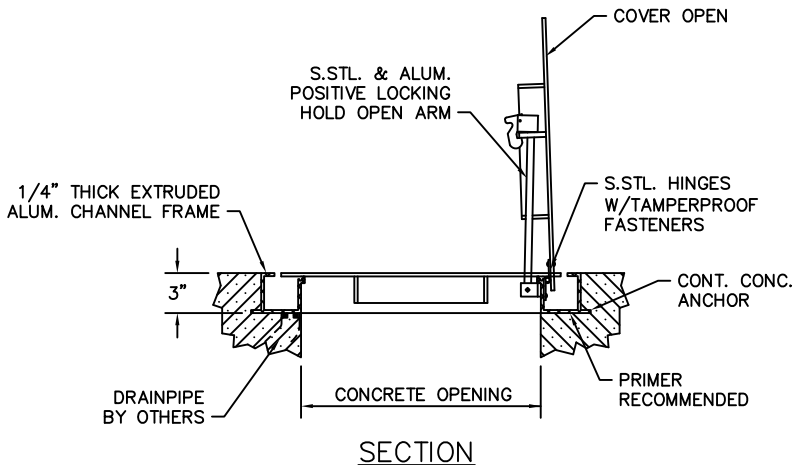


STANDARD FEATURES:

- 1/4 ALUMINUM TREAD PLATE COVER
- 1/4 THICK ALUMINUM CHANNEL FRAME EXTRUSION
- T-316 STAINLESS STEEL HARDWARE
- S.STL. & ALUM. HOLD OPEN ARM
- 1 1/2" DRAIN COUPLING
- RECESSED LIFT HANDLE (S)
- LIFETIME GUARANTEE
- 300 LB. PER SQ. FT. LOAD RATING

OPTIONS/FEATURES:

<input type="checkbox"/>	PADLOCK BAR
<input checked="" type="checkbox"/>	S.STL. SLAM LOCK W/ KEY
<input type="checkbox"/>	RECESSED LOCK BOX
<input type="checkbox"/>	KEYED CYLINDER LOCK
<input checked="" type="checkbox"/>	SPRING ASSIST
<input checked="" type="checkbox"/>	EPDM GASKET/CUSHION
<input checked="" type="checkbox"/>	BITUMINOUS COATING
<input type="checkbox"/>	PVC PROTECTIVE FILM
<input checked="" type="checkbox"/>	8" SLAB SKIRT HEIGHT (INCLUDING FRAME)
<input type="checkbox"/>	CLEAR ANODIZED FINISH
<input type="checkbox"/>	SAFETY CHAIN WITH POSTS
<input type="checkbox"/>	EMBED FLANGE REMOVED
<input type="checkbox"/>	2" INSULATION W/ CAPTIVE PAN
<input type="checkbox"/>	NUTRIL - SPECIFY LENGTH & LOCATION
<input type="checkbox"/>	RETRO-GRATE (SEE ATTACHED DETAIL)
<input type="checkbox"/>	BOLT DOWN COVER
<input type="checkbox"/>	INSPECTION DOOR
<input type="checkbox"/>	MODULAR DESIGN
<input type="checkbox"/>	SIDE DRAIN
<input type="checkbox"/>	MISCELLANEOUS



**** THE GASKET LIMITS ONLY THE TRANSMISSION OF ODORS AND DOES NOT PROTECT AGAINST CONDITIONS WHICH MIGHT POSE A THREAT TO EITHER THE HEALTH AND SAFETY OF PEOPLE, ANIMALS OR DAMAGE TO EQUIPMENT AND PROPERTY.**
 (NOTE: WHEN ODOR RESISTANCE IS REQUIRED A SLAM LOCK MUST BE PROVIDED)

NOTE: STANDARD PRODUCT WARRANTY DOES NOT COVER CORROSION FROM CHLORINE CONTACT.