

Job Name: 24-4317 Sumner Co Regional Transmission Line C
Job Location: Gallatin, TN
Contractor: Endesol, Inc.

PC: J. Jarvis
 TECH: J. Coppage
 Plant: Beaver Dam



Structure ID: P202 FLOW CONTROL VAULT

Spec: Storm-Pipe Centered
 Type: BX 6inW, 6inF
 Size: 60" x 72"

Rim: 747'
 Invert: 741.5'
 Rim to Invert: 5.5'

Sump: 0"
 Floor (Top): 741.5'
 Floor Height: 6"

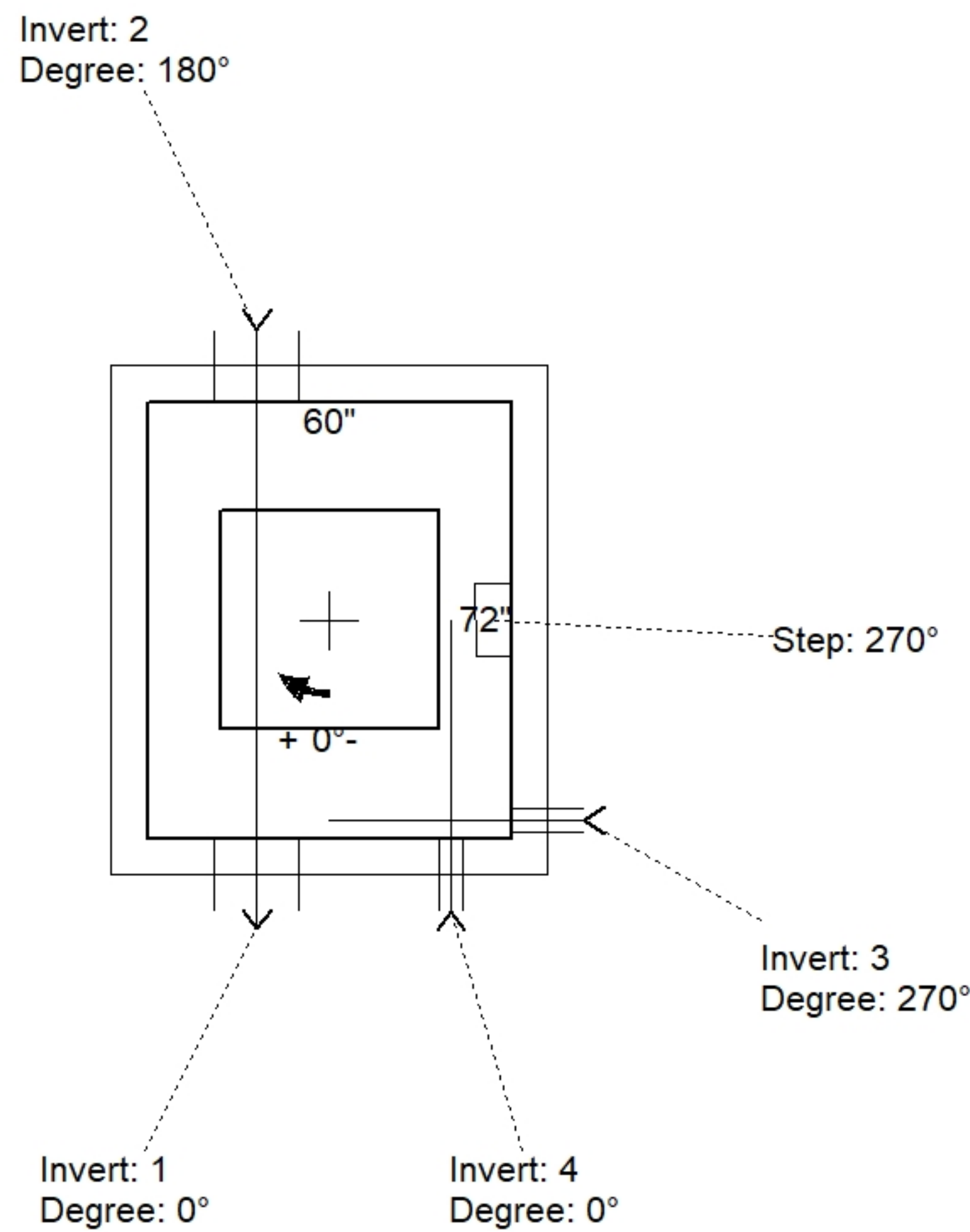
Floor (Bot): 741'
 Overall Height: 6'
 Slack: -0.002"

Structure Notes:

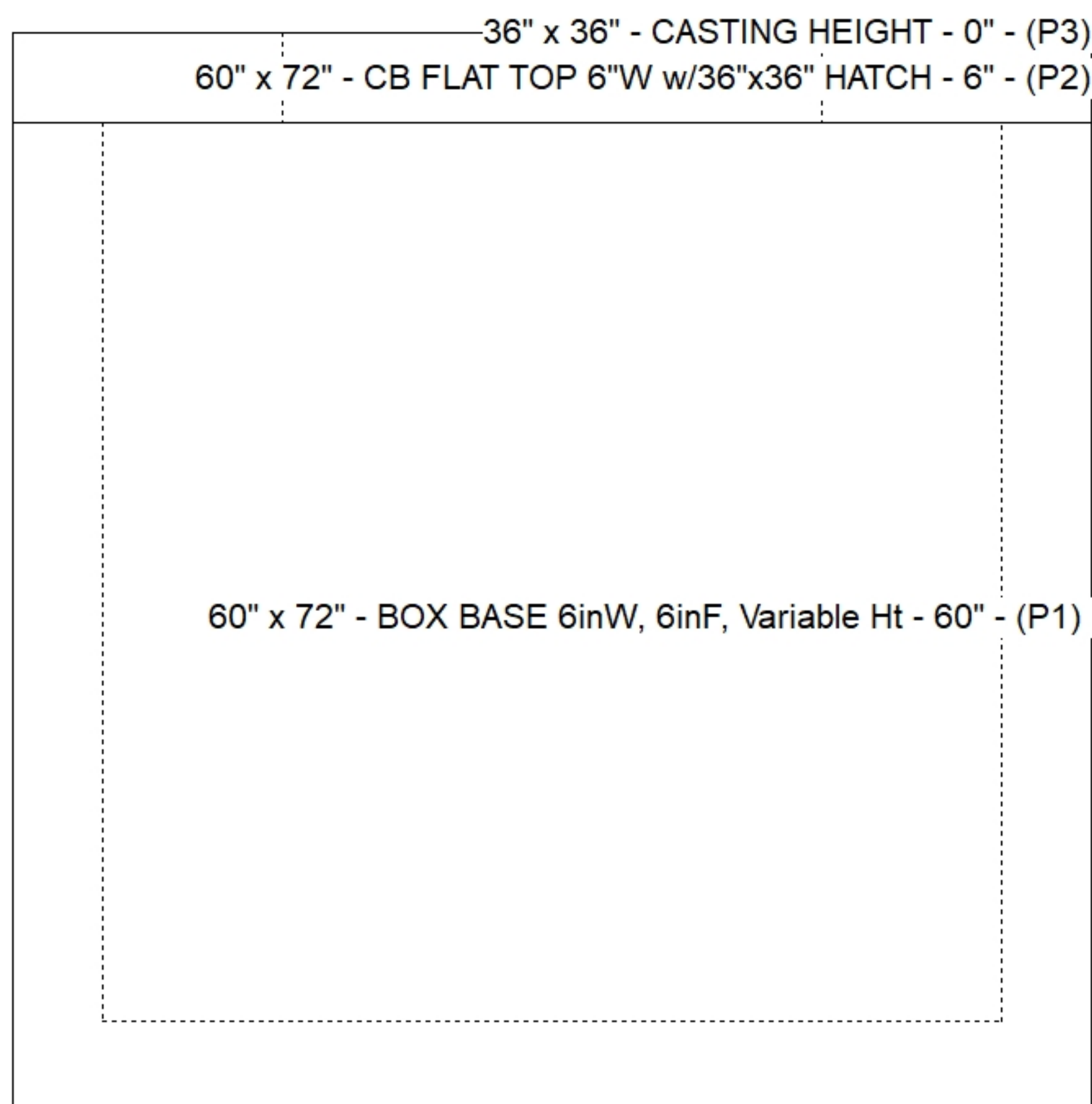
1. HALLIDAY W1S 36" X 36" HATCH BY ICAST.
2. PER ASTM C913 SPECIFICATIONS.
3. CONCRETE = 4,000 PSI AT 28 DAYS.
4. REINFORCING PER ASTM A615 (GRADE 60).
 - TOP SLAB (As .62) #5 BARS AT 6" C.C.E.W.
 - WALLS (As .31) #5 BARS AT 12" C.C.E.W.
 - FLOOR (As .31) #5 BARS AT 12" C.C.E.W..

STRUCTURE SUMMARY:

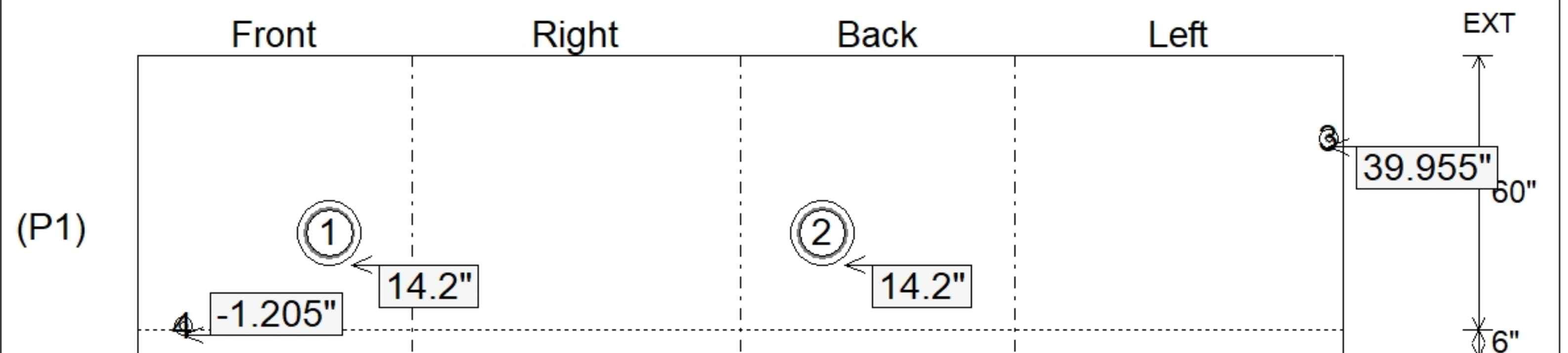
P3) 36" x 36" - CASTING HEIGHT - 0"	0 lb
P2) 60" x 72" - CB FLAT TOP 6"W w/36"x36" HATCH - 6"	2392 lb
P1) 60" x 72" - BOX BASE 6inW, 6inF, Variable Ht - 60"	11577 lb
1) This Structure Includes a Cast-in Item	0 lb
1) SECONDARY POUR	0 lb
1) 60" x 72" - Conseal CS-102 1.00"	0 lb
1) 36" x 36" - Conseal CS-102 1.00"	0 lb
2) Hole - 14	0 lb
2) Hole - 4	0 lb
6) MH Step ML-10-TDS-NCR - 10"	0 lb
Structure Total:	13970 lb



Position	Elev	Angle	Pipe	Pipe OD	Hole	Connector	Up (")	Ref
Rim	747'							
Reducer								
Invert 1	742.85'	0°	10" DI	11.1"	14"	Hole 14	14.2"	P1
Invert 2	742.85'	180°	10" DI	11.1"	14"	Hole 14	14.2"	P1
Invert 3	744.93'	270°	1.5" PVC SCH40	1.9"	4"	Hole 4	39.955"	P1
Invert 4	741.5'	0°	1.5" PVC SCH40	1.9"	4"	Hole 4	-1.205"	P1
Invert 5								
Invert 6								
Invert 7								
Invert 8								



Default - Interior Dimensions



Submittal Drawing
 12/10/2025 2:47:53 PM

SUBMITTAL
 APPROVED BY: