

Job Name: 24-4112 - Ohio River Service Area Rehab  
 Job Location: Louisville, KY 40222  
 Contractor: TRC, LLC

Plant: Beaver Dam, KY  
 1/20/2026 2:17:58 PM

Tech: K. Cardwell  
 PC: A. Wells



**Structure ID: Cardinal Harbour Wet Well**

**P5 MH072LD15S**

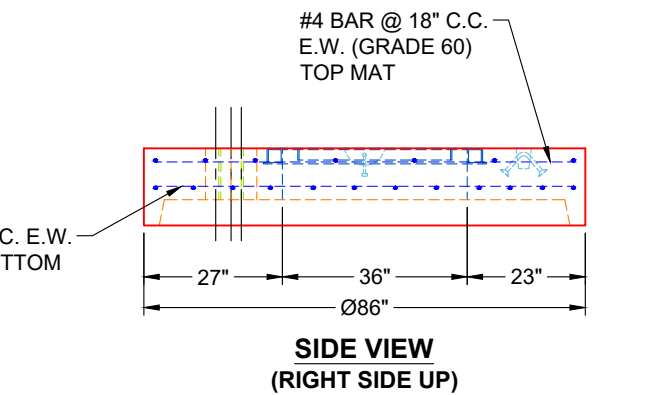
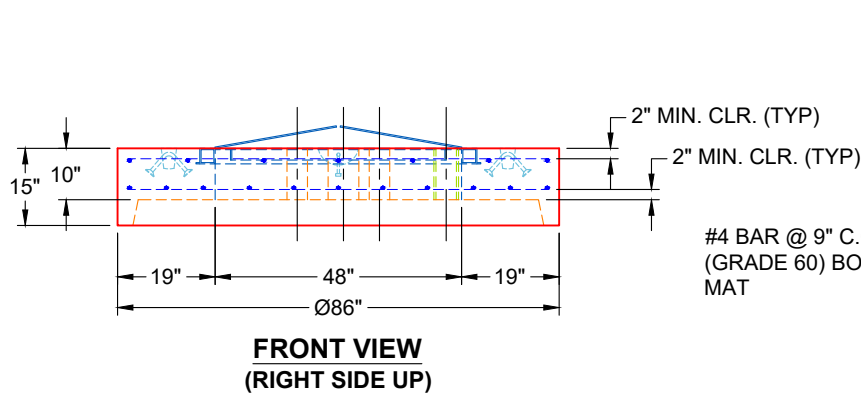
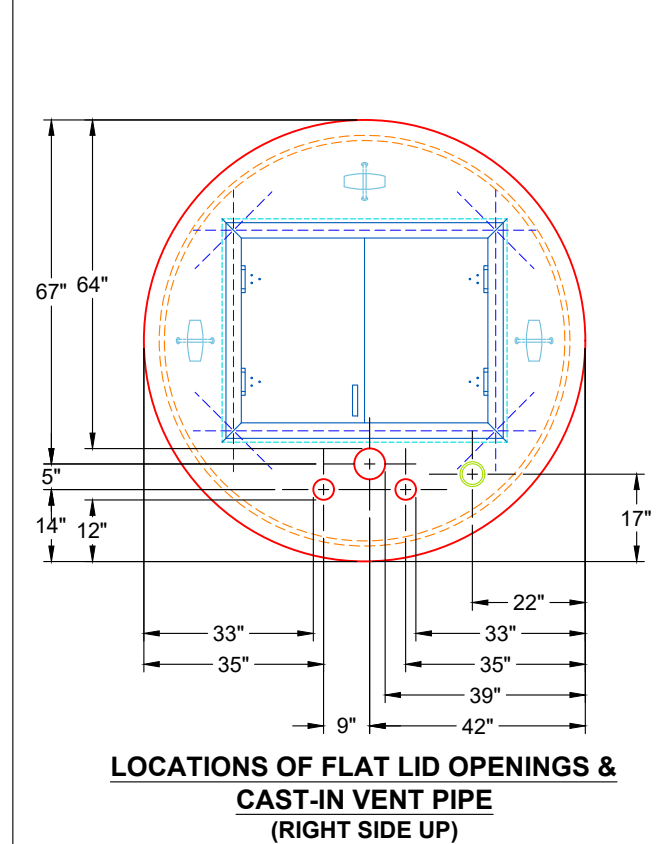
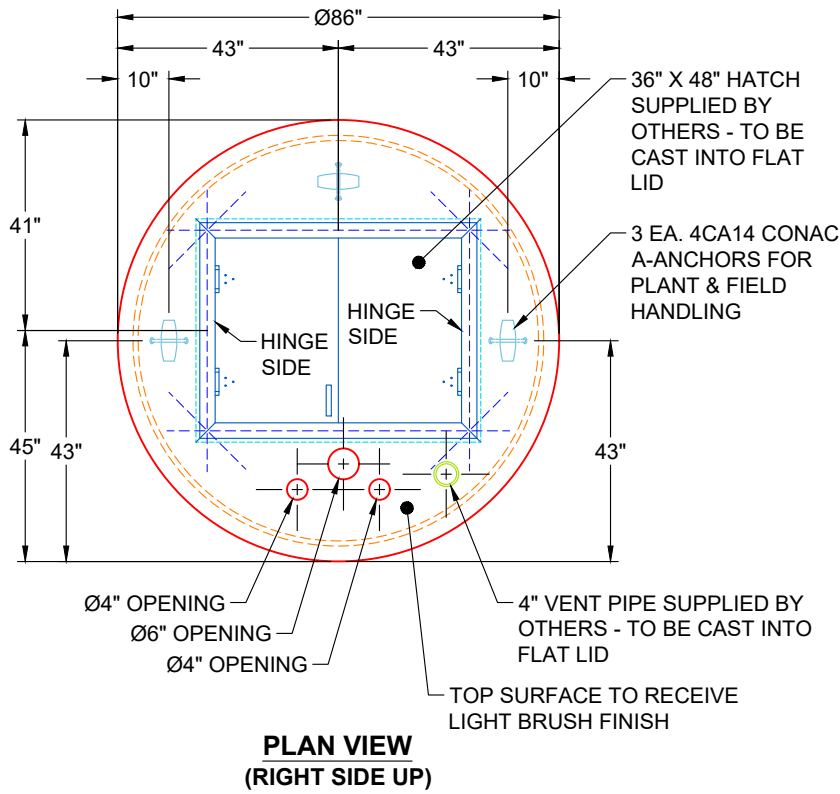
**MH FLAT TOP w/36"x48" Hatch F/G**

- P6) 36" x 48" - CASTING HEIGHT - 0"
- P5) 72" - MH FLAT TOP w/36"x48" Hatch F/G - 15"
- P4) 72" - MH RISER Custom Ht T/G - 28"
- P3) 72" - MH RISER SPECIAL T/G - 84"
- P2) 72" - MH RISER SPECIAL T/G - 84"
- P1) 72" - MH BASE w/FLANGE (08F/08EF) T/n - 60"
- 4) JOINT WRAP - 12" WD x 072" MAC WRAP
- 1) CS-55 EXTERIOR COATING
- 1) This Structure Includes a Cast-in Item - 36" x 48" Hatch (Supplied by Others)
- 1) This Structure Includes a Cast-in Item - 4in Vent Pipe (Supplied by Others)
- 1) 72" - EXT. FLG (72ø MH)8"WD/8"THK
- 4) 72" - Conseal CS-231 1.00" (Double)
- 1) 36" x 48" - Conseal CS-231 1.00" (Double)
- 3) PSX - 8QRS-S NYLO
- 1) PSX - 16Y NYLO
- 566.6 SqFt) CS-55 BLACK ACRYLLIC [EXT]

- |                                                                                                                                                                                                                                                                                                           |                                                                                                                                                                                                                                                                                                                                                                                                                                                                                                                                                                                                                                                                                          |
|-----------------------------------------------------------------------------------------------------------------------------------------------------------------------------------------------------------------------------------------------------------------------------------------------------------|------------------------------------------------------------------------------------------------------------------------------------------------------------------------------------------------------------------------------------------------------------------------------------------------------------------------------------------------------------------------------------------------------------------------------------------------------------------------------------------------------------------------------------------------------------------------------------------------------------------------------------------------------------------------------------------|
| <ul style="list-style-type: none"> <li>0 lb</li> <li>5093 lb</li> <li>4082 lb</li> <li>12154 lb</li> <li>12127 lb</li> <li>14232 lb</li> <li>0 lb</li> <li>0 lb</li> <li>0 lb</li> <li>0 lb</li> <li>0 lb</li> <li>0 lb</li> <li>0 lb</li> <li>0 lb</li> <li>20 lb</li> <li>8 lb</li> <li>0 lb</li> </ul> | <p><b>Structure Notes:</b></p> <ol style="list-style-type: none"> <li>1. PER ASTM C-478 SPECS</li> <li>2. CONCRETE: 5,000 PSI AT 28 DAYS</li> <li>3. REINFORCEMENT - 2" MIN. REBAR CLEARANCE (TYP):</li> <li style="padding-left: 20px;">- TOP MAT: #4 BAR @ 18" C.C. E.W. (GRADE 60)</li> <li style="padding-left: 20px;">- BOTTOM MAT: #4 BAR @ 9" C.C. E.W. (GRADE 60)</li> <li>4. NO STEPS</li> <li>5. CS-55 EXTERIOR COATING REQUIRED</li> <li>6. 36" X 48" HATCH &amp; 4" VENT PIPE SUPPLIED BY OTHERS - TO BE CAST INTO FLAT LID</li> <li>7. LIFTERS: 3 EA. 4CA14 CONAC A-ANCHORS FOR PLANT &amp; FIELD HANDLING</li> <li>8. TOP SURFACE TO RECEIVE LIGHT BRUSH FINISH</li> </ol> |
|-----------------------------------------------------------------------------------------------------------------------------------------------------------------------------------------------------------------------------------------------------------------------------------------------------------|------------------------------------------------------------------------------------------------------------------------------------------------------------------------------------------------------------------------------------------------------------------------------------------------------------------------------------------------------------------------------------------------------------------------------------------------------------------------------------------------------------------------------------------------------------------------------------------------------------------------------------------------------------------------------------------|

Structure Total:

47716 lb



Coating (Int): Coating (Ext): CS-55 BLACK ACRYLLIC	Seam Up: Flat Seam Dn: Groove	Wall Thickness: 7"	Height (Ext): 15"	Weight (Net): 5136 lb Volume (Net): 1.31cu.yd
-------------------------------------------------------	----------------------------------	--------------------	-------------------	--------------------------------------------------

**Job Number:**

24-4112

**Job Name:**

Ohio River Service Area Rehab

**Structure:**

Cardinal Harbour Wet Well

**Note:**

36" x 48" Hatch Supplied By Others  
To Be Cast Into Flat Lid

**Job Number:**

24-4112

**Job Name:**

Ohio River Service Area Rehab

**Structure:**

Cardinal Harbour Wet Well

**Note:**

4" Vent Pipe Supplied By Others To  
Be Cast Into Flat Lid

**Job Number:**

24-4112

**Job Name:**

Ohio River Service Area Rehab

**Structure:**

Cardinal Harbour Wet Well

**Note:**

This Structure Is To Receive An  
Exterior Bituminous Coating of CS-55  
(By iCast)