

Job Name: 24-4112 - Ohio River Service Area Rehab
 Job Location: Louisville, KY 40222
 Contractor: TRC, LLC

Plant: Beaver Dam, KY

Tech: K. Cardwell

1/20/2026 2:17:39 PM

PC: A. Wells



Structure ID: Cardinal Harbour Wet Well

P2 MH072RS84S

MH RISER SPECIAL T/G

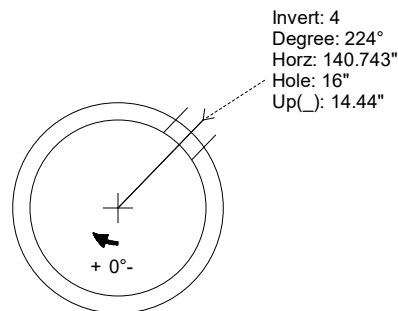
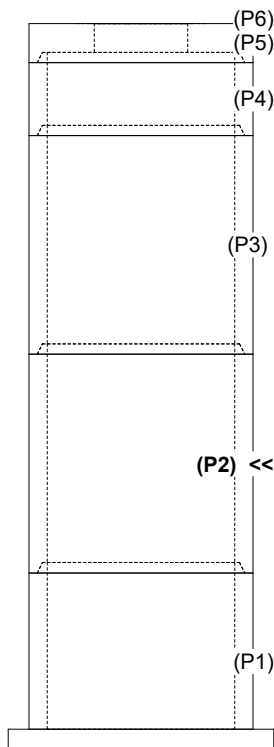
P6)	36" x 48" - CASTING HEIGHT - 0"	0 lb
P5)	72" - MH FLAT TOP w/36"x48" Hatch F/G - 15"	5093 lb
P4)	72" - MH RISER Custom Ht T/G - 28"	4082 lb
P3)	72" - MH RISER SPECIAL T/G - 84"	12154 lb
P2)	72" - MH RISER SPECIAL T/G - 84"	12127 lb
P1)	72" - MH BASE w/FLANGE (08F/08EF) T/n - 60"	14232 lb
4)	JOINT WRAP - 12" WD x 072" MAC WRAP	0 lb
1)	CS-55 EXTERIOR COATING	0 lb
1)	This Structure Includes a Cast-in Item - 36" x 48" Hatch (Supplied by Others)	0 lb
1)	This Structure Includes a Cast-in Item - 4in Vent Pipe (Supplied by Others)	0 lb
1)	72" - EXT. FLG (72ø MH)8"WD/8"THK	0 lb
4)	72" - Conseal CS-231 1.00" (Double)	0 lb
1)	36" x 48" - Conseal CS-231 1.00" (Double)	0 lb
3)	PSX - 8QRS-S NYLO	20 lb
1)	PSX - 16Y NYLO	8 lb
	566.6 SqFt) CS-55 BLACK ACRYLLIC [EXT]	0 lb
	Structure Total:	47716 lb

- Structure Notes:**
- PER ASTM C-478 SPECS
 - CONCRETE: 5,000 PSI AT 28 DAYS
 - REINFORCEMENT: PER ASTM A615
 - NO STEPS
 - CS-55 EXTERIOR COATING REQUIRED
 - 36" X 48" HATCH & 4" VENT PIPE SUPPLIED BY OTHERS - TO BE CAST INTO FLAT LID

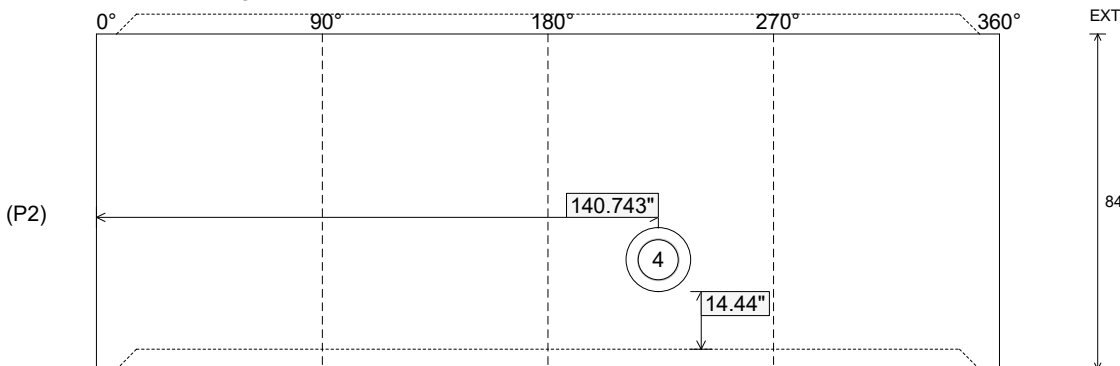
Rim: 451.3' Rim to Invert: 15.73' Slack: 0.2' Sump: 82.44" Step Position:

Position	Elev	Angle	Ext. (cw)	Pipe	Pipe OD	Connector	Hole	Horz Size	Up ()	Offset
Invert 1										
Invert 2										
Invert 3										
Invert 4	435.57'	224°	168.11"	10" PVC SDR35	10.5"	PSX 16Y NYLO	16"	16.135"	14.44"	0"
Invert 5										
Invert 6										
Invert 7										
Invert 8										

RIGHT-SIDE UP VIEW (int. dimensions)



INSIDE WALL DIMENSIONS



Coating (Int): Coating (Ext): CS-55 BLACK ACRYLLIC	Seam Up: Tongue Seam Dn: Groove	Wall Thickness: 7" Floor Height: 0"	Height (Int): 84" Height (Ext): 84"	Weight (Net): 12127 lb Volume (Net): 3.1cu.yd
---	------------------------------------	--	--	--

Job Number:

24-4112

Job Name:

Ohio River Service Area Rehab

Structure:

Cardinal Harbour Wet Well

Note:

This Structure Is To Receive An
Exterior Bituminous Coating of CS-55
(By iCast)