

Job Name: 24-4112 - Ohio River Service Area Rehab
Job Location: Louisville, KY 40222
Contractor: TRC, LLC

PC: A. Wells
 TECH: K. Cardwell
 Plant: Beaver Dam, KY



Structure ID: **960**
 Spec: Sanitary
 Type: SAN.MH
 Size: 48"

Rim: 450.3'
 Invert: 436.47'
 Rim to Invert: 13.83'

Sump: 3"
 Floor (Top): 436.22'
 Floor Height: 6"

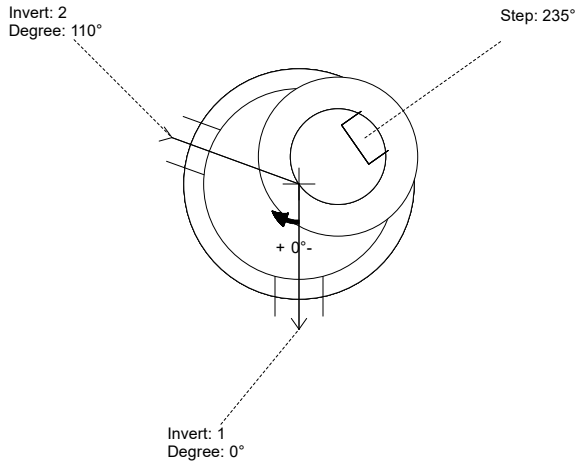
Floor (Bot): 435.72'
 Overall Height: 14.417'
 Slack: 1.96"

Structure Notes:

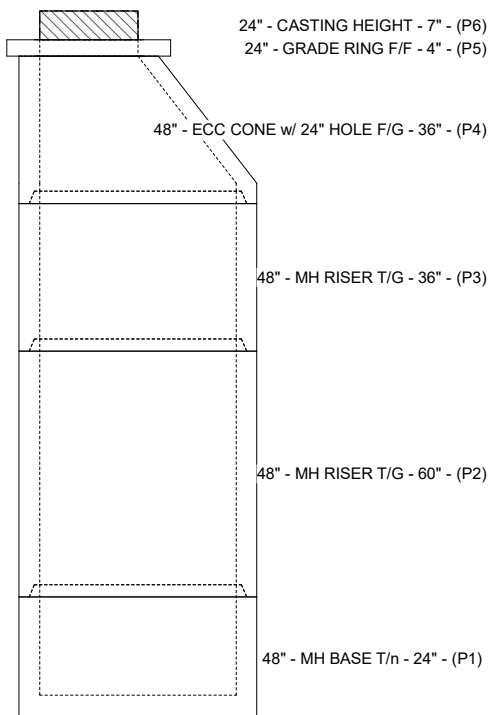
- STATION: 0+11.88 CARDINAL HARBOUR 2
 1. PER MSD & ASTM C-478 SPECS
 2. CONCRETE: 5,000 PSI AT 28 DAYS
 3. REINFORCEMENT: PER ASTM A615
 4. INVERT CHANNEL REQUIRED
 5. 7" CASTING SUPPLIED BY OTHERS
 6. STEPS AT 235 DEGREES

STRUCTURE SUMMARY:

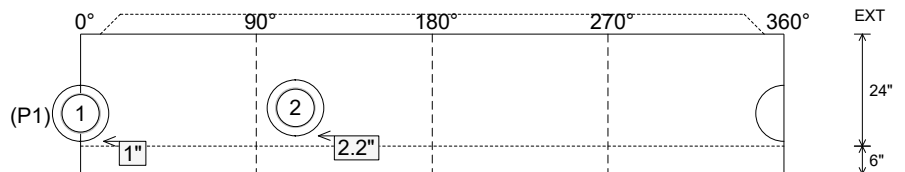
- P6) 24" - CASTING HEIGHT - 7" 0 lb
 - P5) 24" - GRADE RING F/F - 4" 270 lb
 - P4) 48" - ECC CONE w/ 24" HOLE F/G - 36" 3000 lb
 - P3) 48" - MH RISER T/G - 36" 2515 lb
 - P2) 48" - MH RISER T/G - 60" 4192 lb
 - P1) 48" - MH BASE T/n - 24" 2911 lb
 - 1) JOINT WRAP PRIMER - CONSEAL CS-75 (1 gal.) 0 lb
 - 1) JOINT WRAP - 0.065"x6"x50' CONSEAL CS212 0 lb
 - 1) 48" - SAN. INV. CHANNEL - FULL HEIGHT 1440 lb
 - 3) 48" - Conseal CS-102 1.00" (Double) 0 lb
 - 2) PSX - 12-08 NYLO 16 lb
 - 12) MH Step ML-10-TDS-NCR - 10" 0 lb
- Structure Total: **14343 lb**



Position	Elev	Angle	Pipe	Pipe OD	Hole	Connector	Up (")	Ref
Rim	450.3'							
Reducer								
Invert 1	436.47'	0°	8" PVC SDR35	8.5"	12"	PSX 12-08 NYLO	1"	P1
Invert 2	436.57'	110°	8" PVC SDR35	8.5"	12"	PSX 12-08 NYLO	2.2"	P1
Invert 3								
Invert 4								
Invert 5								
Invert 6								
Invert 7								
Invert 8								



Cast (Int. Dim.) - Interior Dimensions



Submittal Drawing
 1/22/2026 5:55:32 AM

SUBMITTAL
 APPROVED BY: