

Job Name: 24-4112 - Ohio River Service Area Rehab
 Job Location: Louisville, KY 40222
 Contractor: TRC, LLC

Plant: Beaver Dam, KY
 1/22/2026 5:59:46 AM

Tech: K. Cardwell
 PC: A. Wells



Structure ID: 960

P5 GR4

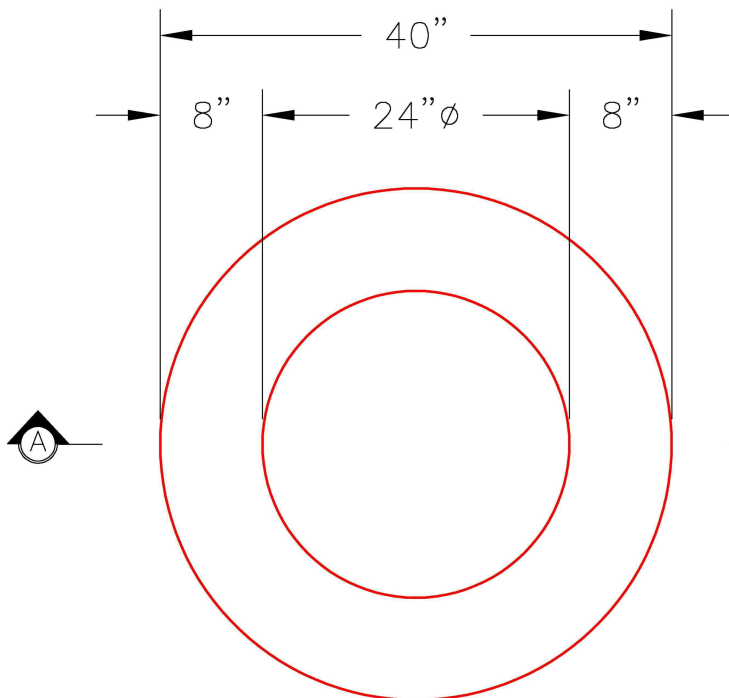
GRADE RING F/F

- P6) 24" - CASTING HEIGHT - 7"
- P5) 24" - GRADE RING F/F - 4"
- P4) 48" - ECC CONE w/ 24" HOLE F/G - 36"
- P3) 48" - MH RISER T/G - 36"
- P2) 48" - MH RISER T/G - 60"
- P1) 48" - MH BASE T/n - 24"
- 1) JOINT WRAP PRIMER - CONSEAL CS-75 (1 gal.)
- 1) JOINT WRAP - 0.065"x6"x50' CONSEAL CS212
- 1) 48" - SAN. INV. CHANNEL - FULL HEIGHT
- 3) 48" - Conseal CS-102 1.00" (Double)
- 2) PSX - 12-08 NYLO
- 12) MH Step ML-10-TDS-NCR - 10"

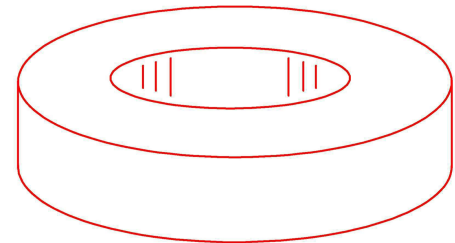
0 lb
 270 lb
 3000 lb
 2515 lb
 4192 lb
 2911 lb
 0 lb
 0 lb
 1440 lb
 0 lb
 16 lb
 0 lb

 Structure Total: 14343 lb

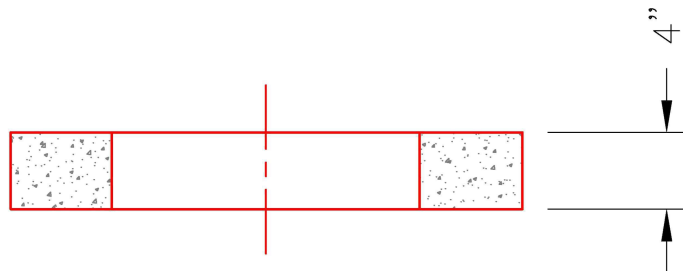
Structure Notes:
 STATION: 0+11.88 CARDINAL HARBOUR 2
 1. PER MSD & ASTM C-478 SPECS
 2. CONCRETE: 4,000 PSI AT 28 DAYS
 3. REINFORCEMENT: (1) #3 HOOP CENTERED (GRADE 60)



PLAN VIEW



ISOMETRIC VIEW



SECTION A-A

Coating (Int):
 Coating (Ext):

Seam Up: Flat
 Seam Dn: Flat

Wall Thickness: 8"

Height (Ext): 4"

Weight (Net): 270 lb
 Volume (Net): 0.07cu.yd