

**Job Name: 24-4112 - Ohio River Service Area Rehab**  
**Job Location: Louisville, KY 40222**  
**Contractor: TRC, LLC**

PC: A. Wells  
 TECH: K. Cardwell  
 Plant: Beaver Dam, KY



Structure ID: **959**  
 Spec: Sanitary  
 Type: SAN.MH  
 Size: 48"

Rim: 450.9'  
 Invert: 435.615'  
 Rim to Invert: 15.285'

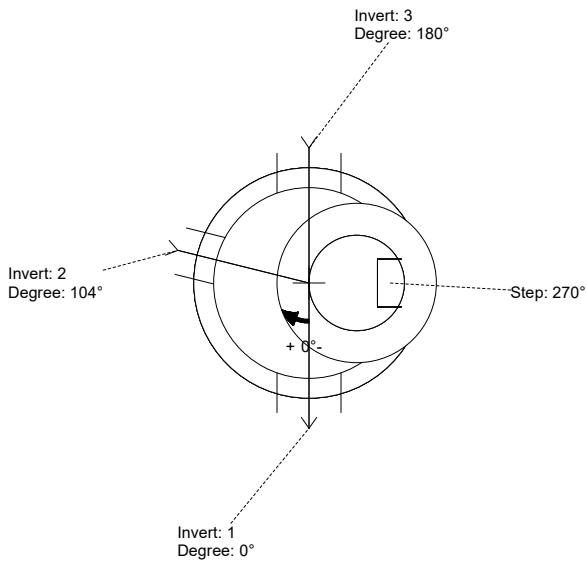
Sump: 3"  
 Floor (Top): 435.365'  
 Floor Height: 6"

Floor (Bot): 434.865'  
 Overall Height: 15.917'  
 Slack: 1.42"

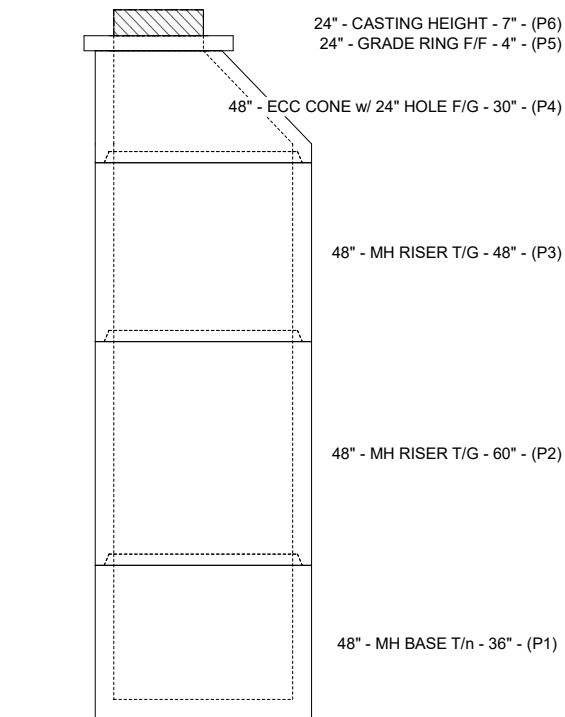
**Structure Notes:**  
 STATION: 0+19.73 CARDINAL HARBOUR 1  
 1. PER MSD & ASTM C-478 SPECS  
 2. CONCRETE: 5,000 PSI AT 28 DAYS  
 3. REINFORCEMENT: PER ASTM A615  
 4. INVERT CHANNEL REQUIRED  
 5. 7" CASTING SUPPLIED BY OTHERS  
 6. STEPS AT 270 DEGREES

**STRUCTURE SUMMARY:**

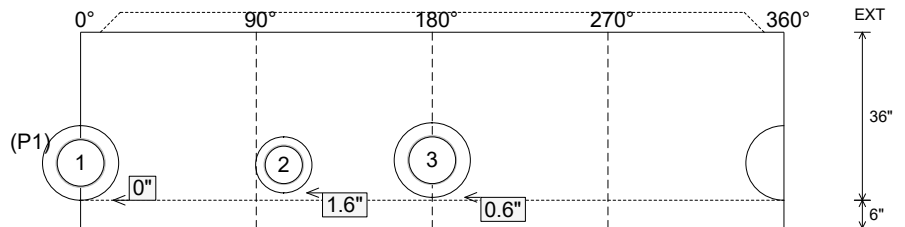
P6) 24" - CASTING HEIGHT - 7"	0 lb
P5) 24" - GRADE RING F/F - 4"	270 lb
P4) 48" - ECC CONE w/ 24" HOLE F/G - 30"	2050 lb
P3) 48" - MH RISER T/G - 48"	3353 lb
P2) 48" - MH RISER T/G - 60"	4192 lb
P1) 48" - MH BASE T/n - 36"	3626 lb
1) JOINT WRAP PRIMER - CONSEAL CS-75 (1 gal.)	0 lb
1) JOINT WRAP - 0.065"x6"x50' CONSEAL CS212	0 lb
1) 48" - SAN. INV. CHANNEL - FULL HEIGHT	1440 lb
3) 48" - Conseal CS-102 1.00" (Double)	0 lb
2) PSX - 16Y NYLO	16 lb
1) PSX - 12-08 NYLO	8 lb
14) MH Step ML-10-TDS-NCR - 10"	0 lb
<b>Structure Total:</b>	<b>14954 lb</b>



Position	Elev	Angle	Pipe	Pipe OD	Hole	Connector	Up (L)	Ref
Rim	450.9'							
Reducer								
Invert 1	435.615'	0°	10" PVC SDR35	10.5"	16"	PSX 16Y NYLO	0"	P1
Invert 2	435.665'	104°	8" PVC SDR35	8.5"	12"	PSX 12-08 NYLO	1.6"	P1
Invert 3	435.665'	180°	10" PVC SDR35	10.5"	16"	PSX 16Y NYLO	0.6"	P1
Invert 4								
Invert 5								
Invert 6								
Invert 7								
Invert 8								



**Cast (Int. Dim.) - Interior Dimensions**



Submittal Drawing  
 1/21/2026 9:19:32 AM

SUBMITTAL  
 APPROVED BY: