

Job Name: 24-4112 - Ohio River Service Area Rehab
Job Location: Louisville, KY 40222
Contractor: TRC, LLC

PC: A. Wells
 TECH: K. Cardwell
 Plant: Beaver Dam, KY



Structure ID: **958**
 Spec: Sanitary
 Type: SAN.MH
 Size: 48"

Rim: 450.3'
 Invert: 435.675'
 Rim to Invert: 14.625'

Sump: 3"
 Floor (Top): 435.425'
 Floor Height: 6"

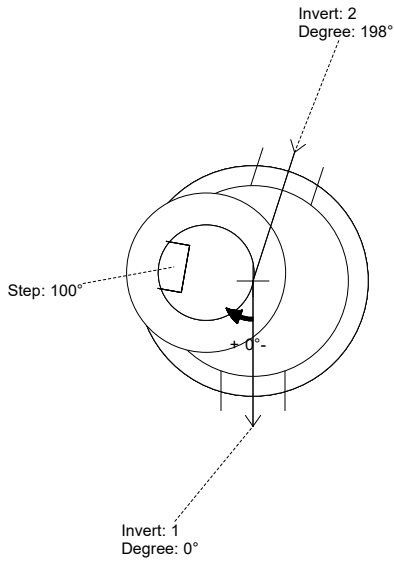
Floor (Bot): 434.925'
 Overall Height: 15.333'
 Slack: 0.5"

Structure Notes:

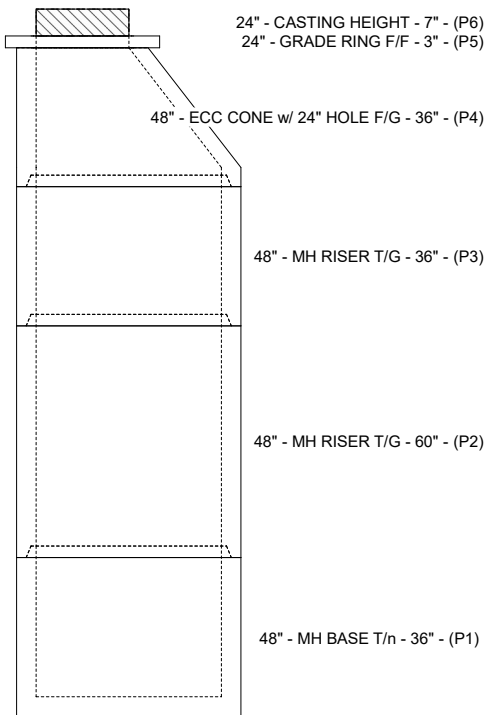
- STATION: 0+00 CARDINAL HARBOUR 1
 1. PER MSD & ASTM C-478 SPECS
 2. CONCRETE: 5,000 PSI AT 28 DAYS
 3. REINFORCEMENT: PER ASTM A615
 4. INVERT CHANNEL REQUIRED
 5. 7" CASTING SUPPLIED BY OTHERS
 6. STEPS AT 100 DEGREES

STRUCTURE SUMMARY:

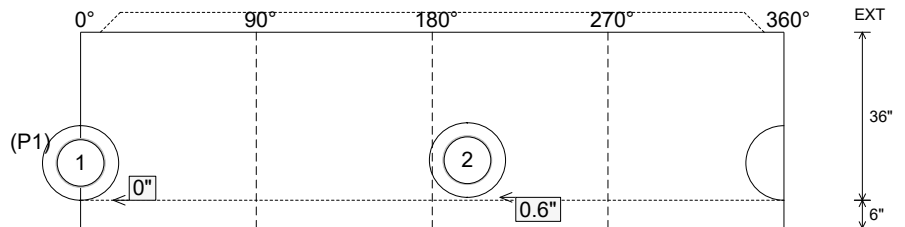
- P6) 24" - CASTING HEIGHT - 7" 0 lb
 - P5) 24" - GRADE RING F/F - 3" 202 lb
 - P4) 48" - ECC CONE w/ 24" HOLE F/G - 36" 3000 lb
 - P3) 48" - MH RISER T/G - 36" 2515 lb
 - P2) 48" - MH RISER T/G - 60" 4192 lb
 - P1) 48" - MH BASE T/n - 36" 3674 lb
 - 1) JOINT WRAP PRIMER - CONSEAL CS-75 (1 gal.) 0 lb
 - 1) JOINT WRAP - 0.065"x6"x50' CONSEAL CS212 0 lb
 - 1) 48" - SAN. INV. CHANNEL - FULL HEIGHT 1440 lb
 - 3) 48" - Conseal CS-102 1.00" (Double) 0 lb
 - 2) PSX - 16Y NYLO 16 lb
 - 13) MH Step ML-10-TDS-NCR - 10" 0 lb
- Structure Total: 15039 lb



Position	Elev	Angle	Pipe	Pipe OD	Hole	Connector	Up (L)	Ref
Rim	450.3'							
Reducer								
Invert 1	435.675'	0°	10" PVC SDR35	10.5"	16"	PSX 16Y NYLO	0"	P1
Invert 2	435.725'	198°	10" PVC SDR35	10.5"	16"	PSX 16Y NYLO	0.6"	P1
Invert 3								
Invert 4								
Invert 5								
Invert 6								
Invert 7								
Invert 8								



Cast (Int. Dim.) - Interior Dimensions



Submittal Drawing
 1/22/2026 5:55:31 AM

SUBMITTAL
 APPROVED BY: