

**Job Name: 24-3925 Heritage Meadows**  
**Job Location: Elizabethtown, KY**  
**Contractor: Phillips Bros. Construction, LLC**

PC: T. Ryan  
 TECH: J. Horsley  
 Plant: Beaver Dam



Structure ID: ARV 01 (48in) 6in FM 20+90

Spec: Sanitary  
 Type: Air Release MH  
 Size: 48"

Rim: 841.91'  
 Invert: 837.29'  
 Rim to Invert: 4.62'

Sump: 3.996"  
 Floor (Top): 836.957'  
 Floor Height: 0"

Floor (Bot): 836.957'  
 Overall Height: 4.917'  
 Slack: 0.436"

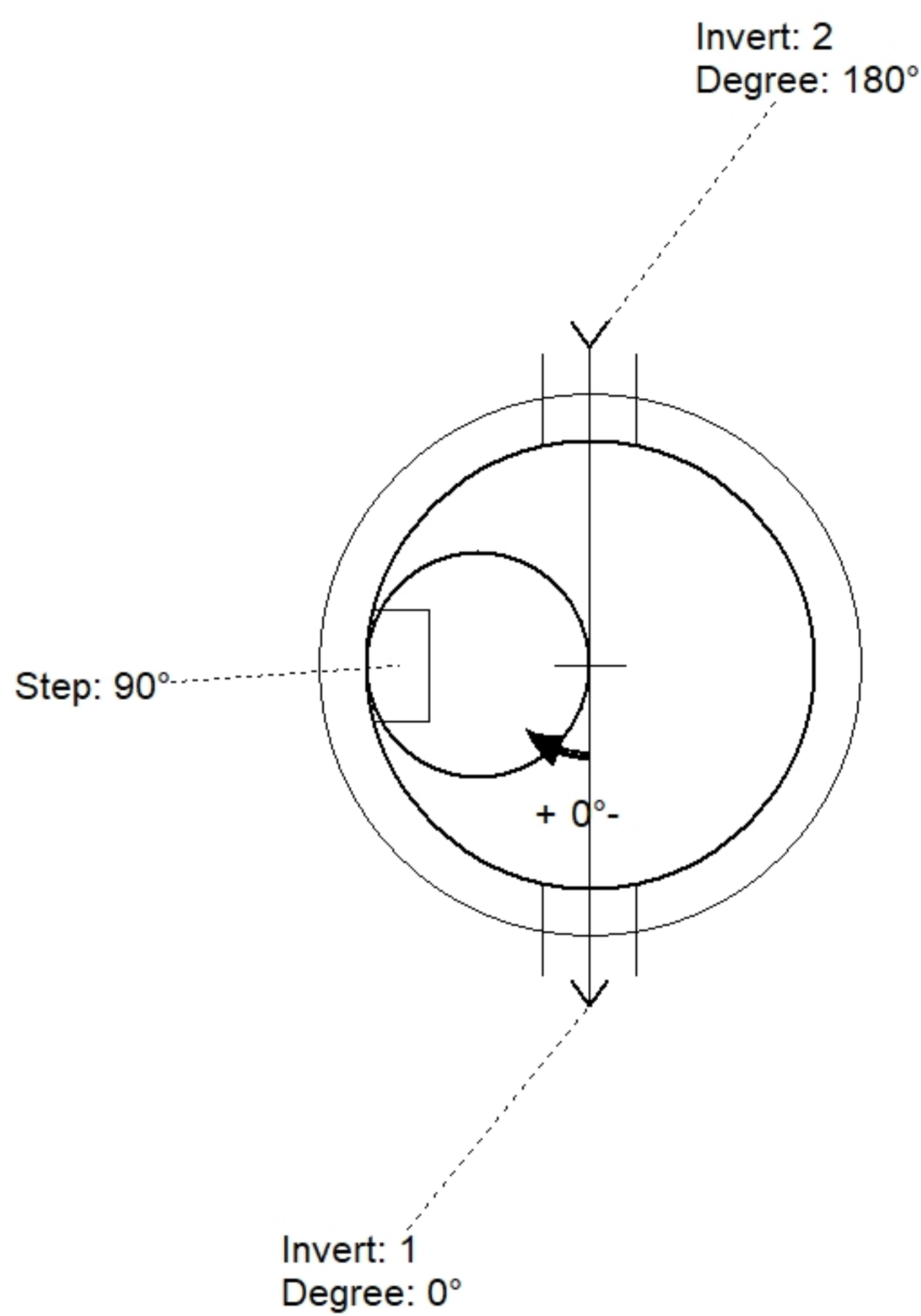
**Structure Notes:**

- PER ASTM C478 SPECIFICATIONS.
- CONCRETE = 4,000 PSI AT 28 DAYS.
- CASTING SUPPLIED BY OTHERS (HOE MC-375 F/C).

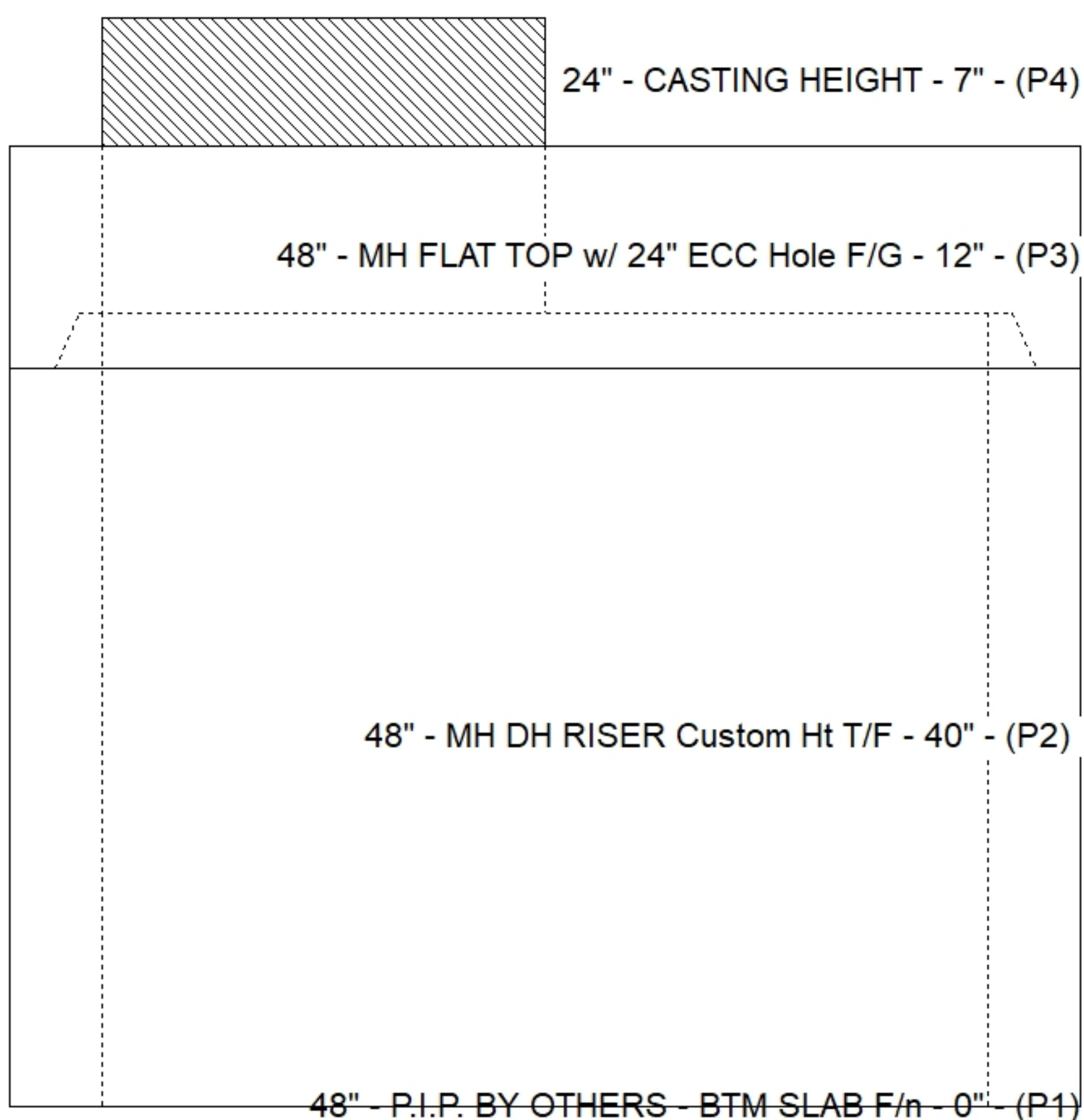
REINFORCING PER ASTM A615 (GRADE 60).  
 - CONE (As .12)  
 - RISER (As .12)  
 - FLOOR (As .31) #5 BARS AT 12" C.C.E.W.

**STRUCTURE SUMMARY:**

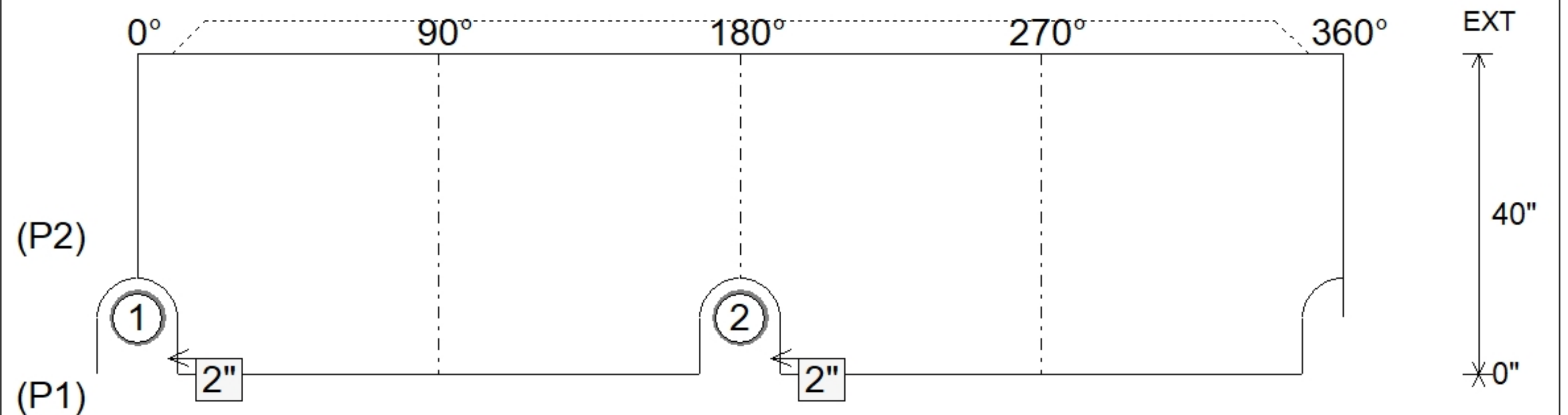
P4) 24" - CASTING HEIGHT - 7"	0 lb
P3) 48" - MH FLAT TOP w/ 24" ECC Hole F/G - 12"	1561 lb
P2) 48" - MH DH RISER Custom Ht T/F - 40"	2702 lb
P1) 48" - P.I.P. BY OTHERS - BTM SLAB F/n - 0"	0 lb
1) JOINT WRAP - 0.065"x6"x50' CONSEAL CS212	0 lb
1) JOINT WRAP PRIMER - CONSEAL CS-75 (1 gal.)	0 lb
2) 48" - Conseal CS-102 1.00" (Double)	0 lb
2) DOGHOUSE - 10"x10"	0 lb
3) MH Step ML-10-TDS-NCR - 10"	0 lb
<b>Structure Total:</b>	<b>4263 lb</b>



Position	Elev	Angle	Pipe	Pipe OD	Hole	Connector	Up (")	Ref
Rim	841.91'							
Reducer								
Invert 1	837.29'	0°	6" C900 DR18	6.9"	10" x 10"	DOGHOUSE 10"x10"	2"	P2
Invert 2	837.29'	180°	6" C900 DR18	6.9"	10" x 10"	DOGHOUSE 10"x10"	2"	P2
Invert 3								
Invert 4								
Invert 5								
Invert 6								
Invert 7								
Invert 8								



**Cast (Int. Dim.) - Interior Dimensions**



Submittal Drawing  
 10/21/2025 4:52:14 PM

SUBMITTAL  
 APPROVED BY: