

Job Name: 24-3925 Heritage Meadows  
 Job Location: Elizabethtown, KY  
 Contractor: Phillips Bros. Construction, LLC

Plant: Beaver Dam  
 10/21/2025 4:56:23 PM

Tech: J. Horsley  
 PC: T. Ryan



**Structure ID: ARV 01 (48in) 6in FM 20+90**

**P3 MH048LD12ECC**

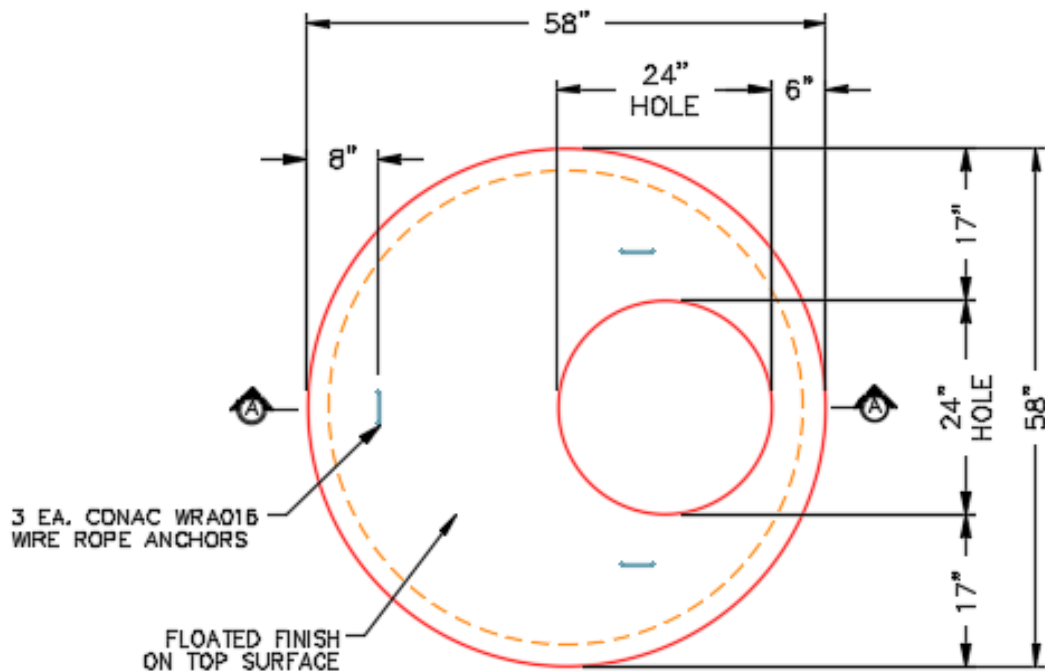
**MH FLAT TOP w/ 24" ECC Hole F/G**

- P4) 24" - CASTING HEIGHT - 7"
- P3) 48" - MH FLAT TOP w/ 24" ECC Hole F/G - 12"
- P2) 48" - MH DH RISER Custom Ht T/F - 40"
- P1) 48" - P.I.P. BY OTHERS - BTM SLAB F/n - 0"
- 1) JOINT WRAP - 0.065"x6"x50' CONSEAL CS212
- 1) JOINT WRAP PRIMER - CONSEAL CS-75 (1 gal.)
- 2) 48" - Conseal CS-102 1.00" (Double)
- 2) DOGHOUSE - 10"x10"
- 3) MH Step ML-10-TDS-NCR - 10"

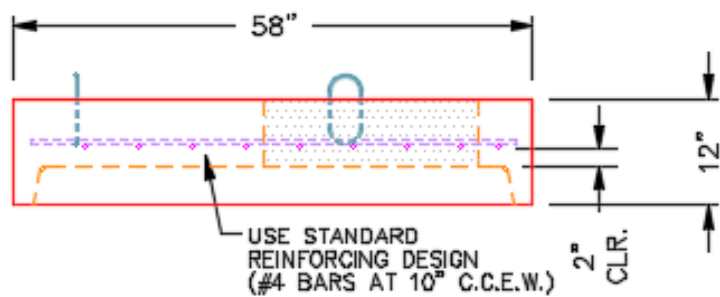
0 lb  
 1561 lb  
 2702 lb  
 0 lb  
 0 lb  
 0 lb  
 0 lb  
 0 lb  
 0 lb  
 0 lb  
 0 lb  
 Structure Total: 4263 lb

**Structure Notes:**  
 1. PER ASTM C478 SPECIFICATIONS.  
 2. CONCRETE = 4,000 PSI AT 28 DAYS.  
 3. CASTING SUPPLIED BY OTHERS (HOE MC-375 F/C).

REINFORCING PER ASTM A615 (GRADE 60).  
 - CONE (As .12)  
 - RISER (As .12)  
 - FLOOR (As .31) #5 BARS AT 12" C.C.E.W.



**PLAN VIEW**



**SECTION A-A**

Coating (Int): Coating (Ext):	Seam Up: Flat Seam Dn: Groove	Wall Thickness: 5"	Height (Ext): 12"	Weight (Net): 1561 lb Volume (Net): 0.42cu.yd
----------------------------------	----------------------------------	--------------------	-------------------	--