

Job Name: 24-3925 Heritage Meadows  
 Job Location: Elizabethtown, KY  
 Contractor: Phillips Bros. Construction, LLC

Plant: Beaver Dam  
 10/15/2025 12:37:00 PM

Tech: J. Horsley  
 PC: T. Ryan



**Structure ID: ARV 01 (48in) 6in FM 20+90**

**P2 MH048DHVF**

**MH DH RISER Custom Ht T/F**

- P4) 24" - CASTING HEIGHT - 7"
- P3) 48" - MH FLAT TOP w/ 24" ECC Hole F/G - 12"
- P2) 48" - MH DH RISER Custom Ht T/F - 40"
- P1) 48" - P.I.P. BY OTHERS - BTM SLAB F/n - 0"
- 1) JOINT WRAP - 0.065"x6"x50' CONSEAL CS212
- 1) JOINT WRAP PRIMER - CONSEAL CS-75 (1 gal.)
- 2) 48" - Conseal CS-102 1.00" (Double)
- 2) DOGHOUSE - 10"x10"
- 3) MH Step ML-10-TDS-NCR - 10"

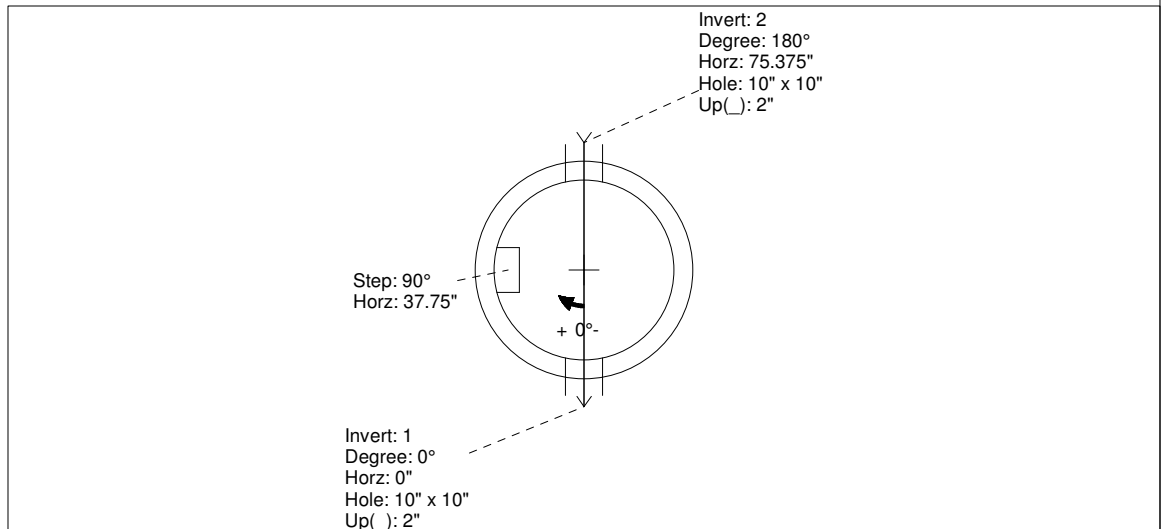
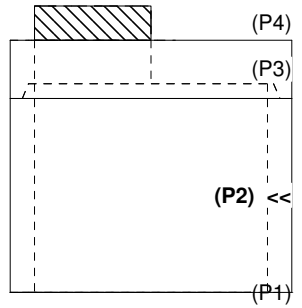
**Structure Notes:**  
 1. PER ASTM C478 SPECIFICATIONS.  
 2. CONCRETE = 4,000 PSI AT 28 DAYS.  
 3. CASTING SUPPLIED BY OTHERS (HOE MC-375 F/C).  
 REINFORCING PER ASTM A615 (GRADE 60).  
 - CONE (As .12)  
 - RISER (As .12)  
 - FLOOR (As .31) #5 BARS AT 12" C.C.E.W.

Structure Total: 4263 lb

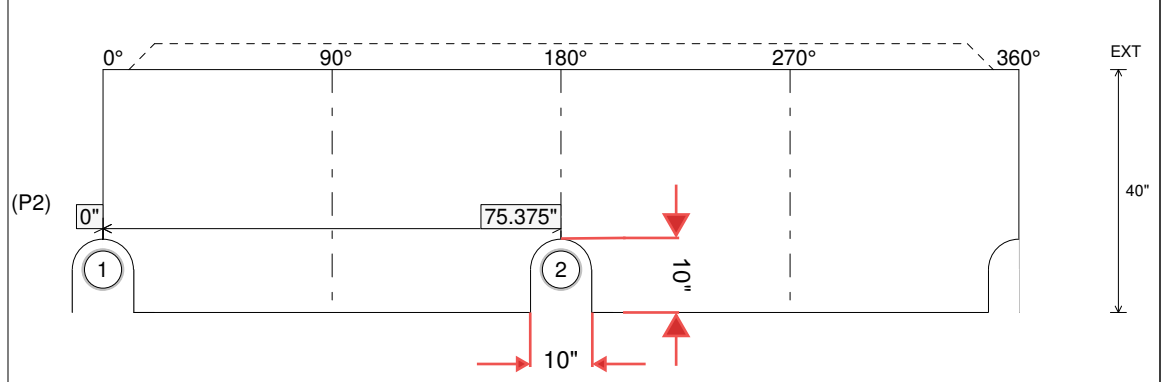
Rim: 841.91' Rim to Invert: 4.62' Slack: 0.436" Sump: 3.996" Step Position: 90°

Position	Elev	Angle	Ext. (cw)	Pipe	Pipe OD	Connector	Hole	Horz Size	Up ( )	Offset
Invert 1	837.29'	0°	0"	6" C900 DR18	6.9"	DOGHOUSE 10"x10"	10" x 10"	10.074"	2"	0"
Invert 2	837.29'	180°	91.125"	6" C900 DR18	6.9"	DOGHOUSE 10"x10"	10" x 10"	10.074"	2"	0"
Invert 3										
Invert 4										
Invert 5										
Invert 6										
Invert 7										
Invert 8										

**RIGHT-SIDE UP VIEW (int. dimensions)**



**INSIDE WALL DIMENSIONS**



Coating (Int): Coating (Ext):	Seam Up: Tongue Seam Dn: Flat	Wall Thickness: 5" Floor Height: 0"	Height (Int): 40" Height (Ext): 40"	Weight (Net): 2702 lb Volume (Net): 0.69cu.yd
----------------------------------	----------------------------------	--	--	--