

Job Name: 24-3876D CVG DHL APRON EXPANSION
Job Location: HEBRON, KY
Contractor: THE HARPER CO

PC: C.GOFF
 TECH: C.RUSS
 Plant: BEAVER DAM



Structure ID: **SUMP PUMP DR-15**

Spec: Storm
 Type: BX 8inW, 12inF, 12inEF
 Size: 48" x 48"

Rim: 885.78'
 Invert: 876.29'
 Rim to Invert: 9.49'

Sump: 13.2"
 Floor (Top): 875.19'
 Floor Height: 12"

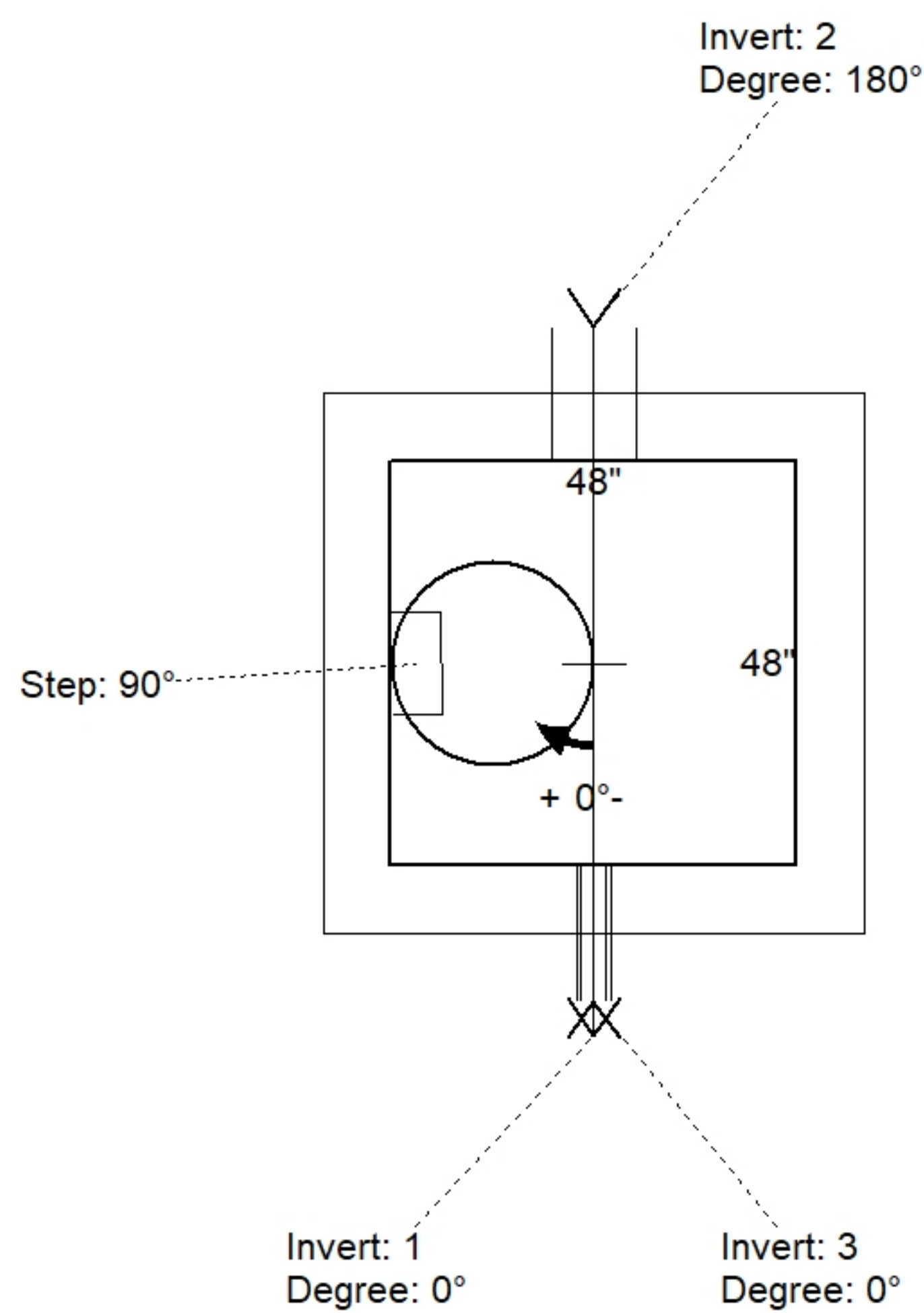
Floor (Bot): 874.19'
 Overall Height: 11.583'
 Slack: 0.08"

Structure Notes:

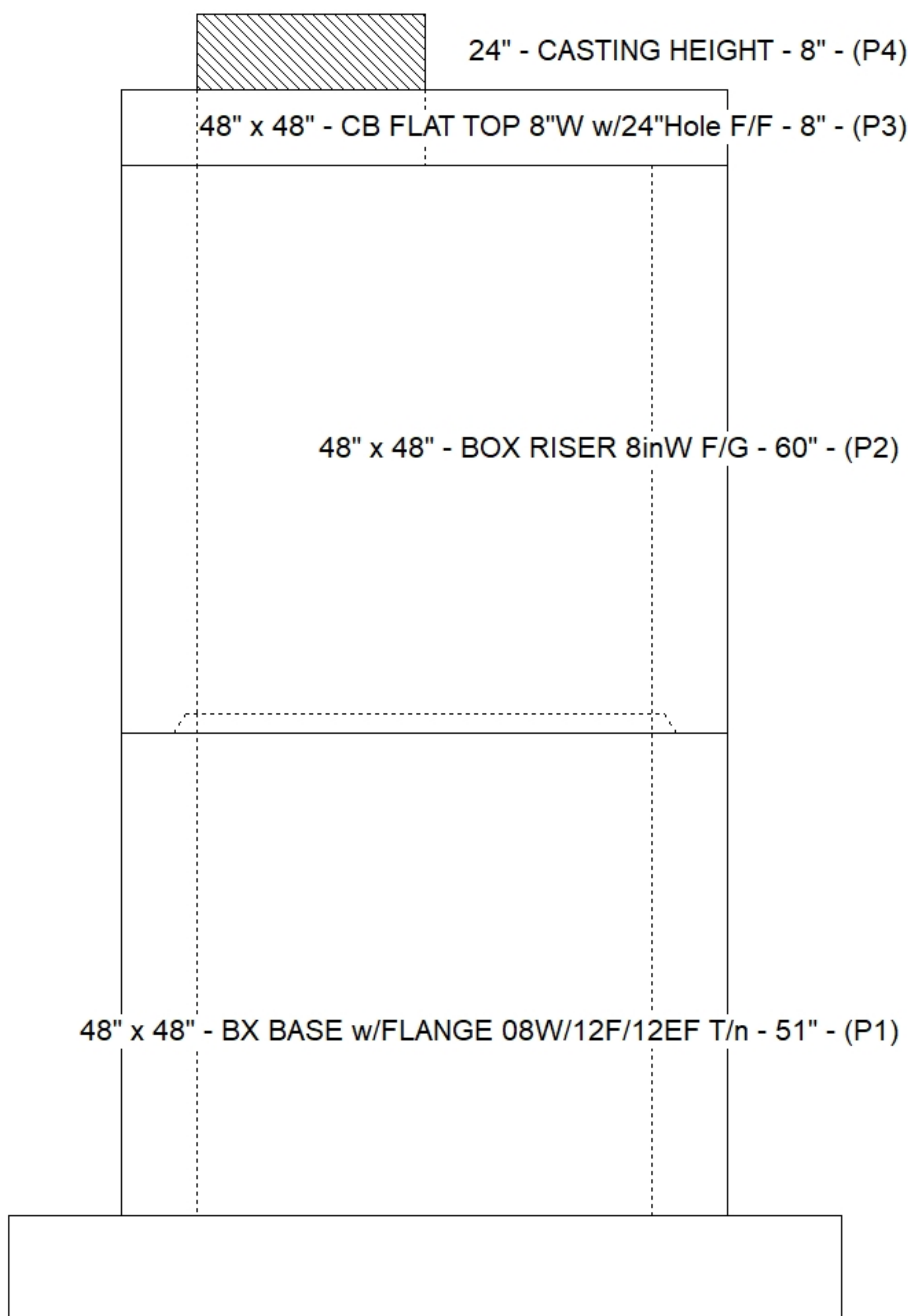
- ** KYTC STATE PROJECT****
- PER KYTC MANHOLE TYPE C / ASTM C913 SPEC'S.
 - CONCRETE = 4,000 PSI AT 28 DAYS.
 - NO INVERT CHANNEL
 - HOE KY 510 TY 2 CASTING PROVIDED BY ICAST REINFORCING PER ASTM A615 (GRADE 60).
 - TOP SLAB #5's AT 6" C.C.E.W (DBL MAT).
 - WALLS #5's AT 6" C.C.E.W.
 - FLOOR #5's AT 12" C.C.E.W..

STRUCTURE SUMMARY:

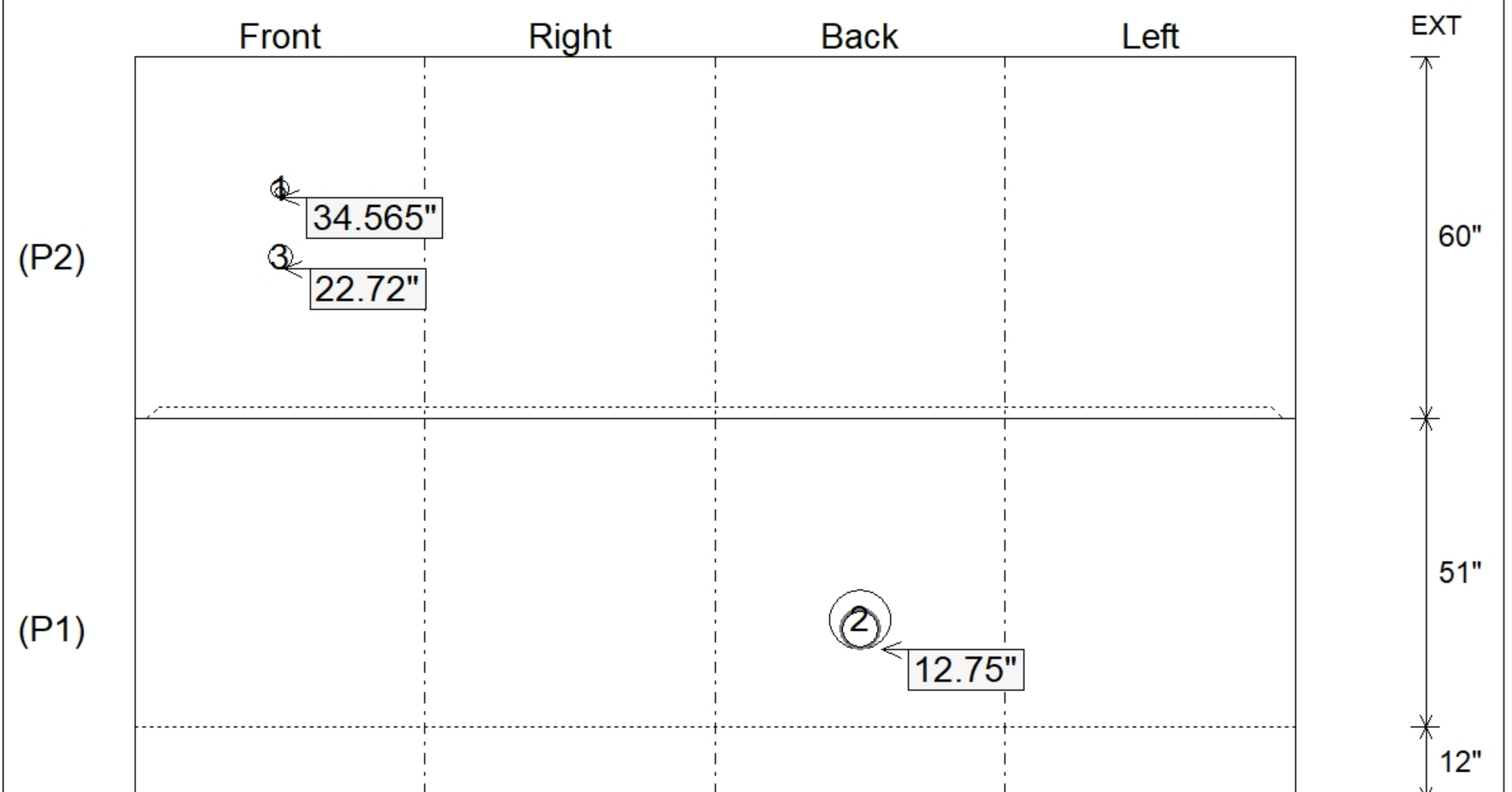
P4) 24" - CASTING HEIGHT - 8"	0 lb
P3) 48" x 48" - CB FLAT TOP 8"W w/24"Hole F/F - 8"	2446 lb
P2) 48" x 48" - BOX RISER 8inW F/G - 60"	9009 lb
P1) 48" x 48" - BX BASE w/FLANGE 08W/12F/12EF T/n - 51"	15414 lb
2) 48" x 48" - SGL 1"x14.5' Butyl (2x)	0 lb
1) Hole - 3	0 lb
1) Hole - 10	0 lb
1) Hole - 4	0 lb
Structure Total:	26869 lb



Position	Elev	Angle	Pipe	Pipe OD	Hole	Connector	Up (')	Ref
Rim	885.78'							
Reducer								
Invert 1	882.5'	0°	1.5" PVC SCH40	1.9"	3"	Hole 3	34.565"	P2
Invert 2	876.29'	180°	6" HDPE	6.9"	10"	Hole 10	12.75"	P1
Invert 3	881.5'	0°	4" Hole	4"	4"	Hole 4	22.72"	P2
Invert 4								
Invert 5								
Invert 6								
Invert 7								
Invert 8								



Default - Interior Dimensions



Submittal Drawing
 10/23/2025 5:57:56 AM

SUBMITTAL
 APPROVED BY: