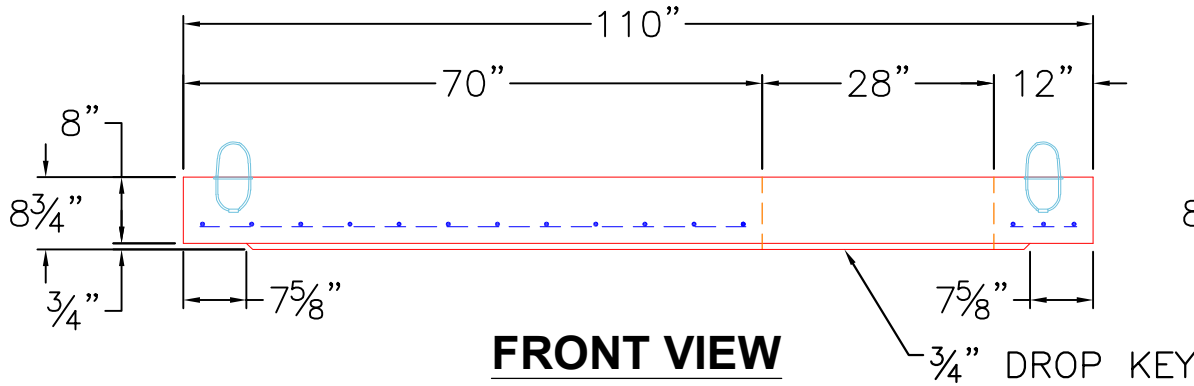


TOP VIEW

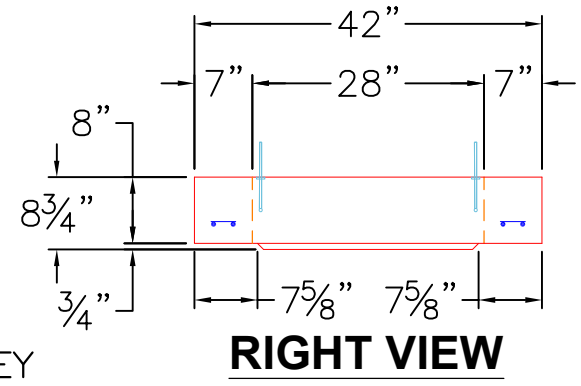
GENERAL NOTES:

1. PER ASTM C913 SPECIFICATIONS
2. DESIGN LOADING – AASHTO HS-20.
3. CONCRETE: 5,000 PSI AT 28 DAYS.
4. REINFORCING: (AS .62)
#5 BAR @ 6" C-C E.W.
PER ASTM A615 (GRADE 60)
5. WEIGHT: 2,575 LBS.


4 EA. CONAC WRA016
WIRE ROPE ANCHORS
CAST IN AS SHOWN.



FRONT VIEW



RIGHT VIEW

PRODUCTION WORK ORDER		PRODUCT I.D.: CTS	DESCRIPTION: 42" X 110" X 8" THICK TOP SLAB W/ 3/4" DROP KEY	
	QUALITY CONTROL CHECKLIST	PRODUCT VIEW: RIGHT SIDE UP	CUSTOMER: HAYES PIPE SUPPLY	
	<input type="checkbox"/> ALL DIMENSIONS CORRECT.	PLANT: BEAVER DAM, KY.	PROJECT: 314 E TRINITY	
	<input type="checkbox"/> LIFTERS INSTALLED.	WEIGHT: 2,575 LBS.	STRUCTURE: SCI A1	
	<input type="checkbox"/> OPENING CORRECT LOCATION.	TOP SECTION JOINT: N/A	ORDER NO: 24-3870	
	<input type="checkbox"/> REINFORCING CORRECT.	BASE SECTION JOINT: 3/4" DROP KEY	PC: E. BRADLEY	DRAWING: J. COPPAGE
<input type="checkbox"/> SURFACE QUALITY ACCEPTABLE.	QC CHECK INITIALS:	DATE: 10/10/25	SCALE: NTS	PG. 1 of 1
<input type="checkbox"/> EDGES CHAMFERED.				
<input type="checkbox"/> ALL PATCHWORK ACCEPTABLE.				