

Job Name: 24-3827 400 Haynie Ave.
Job Location: Nashville, TN
Contractor: Hayes Pipe Supply

PC: J. Jarvis
 TECH: J. Horsley
 Plant: Beaver Dam



Structure ID: **A3 (SAMH 48)**

Spec: Sanitary
 Type: SAN.MH w/ConBlock-CDA Red
 Size: 48"

Rim: 561.83'
 Invert: 548.94'
 Rim to Invert: 12.89'

Sump: 2"
 Floor (Top): 548.773'
 Floor Height: 6"

Floor (Bot): 548.273'
 Overall Height: 13.417'
 Slack: 1.68"

Structure Notes:

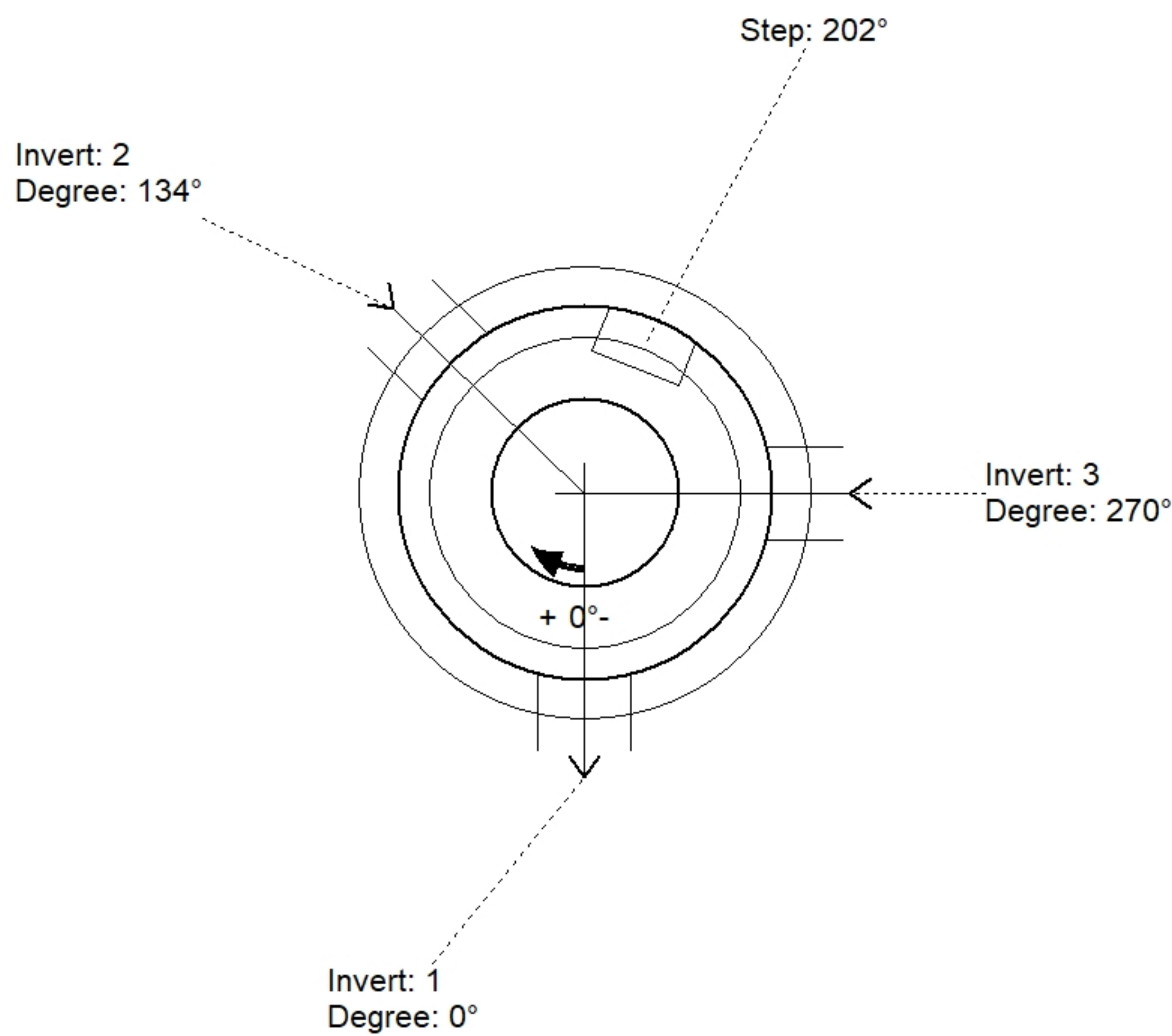
1. PER ASTM C478 SPECIFICATIONS.
2. CONCRETE = 4,000 PSI AT 28 DAYS.
3. ADMIXTURE = CONBLOCK CDA RED.
4. CASTING BY OTHERS.

REINFORCING PER ASTM A615 (GRADE 60).

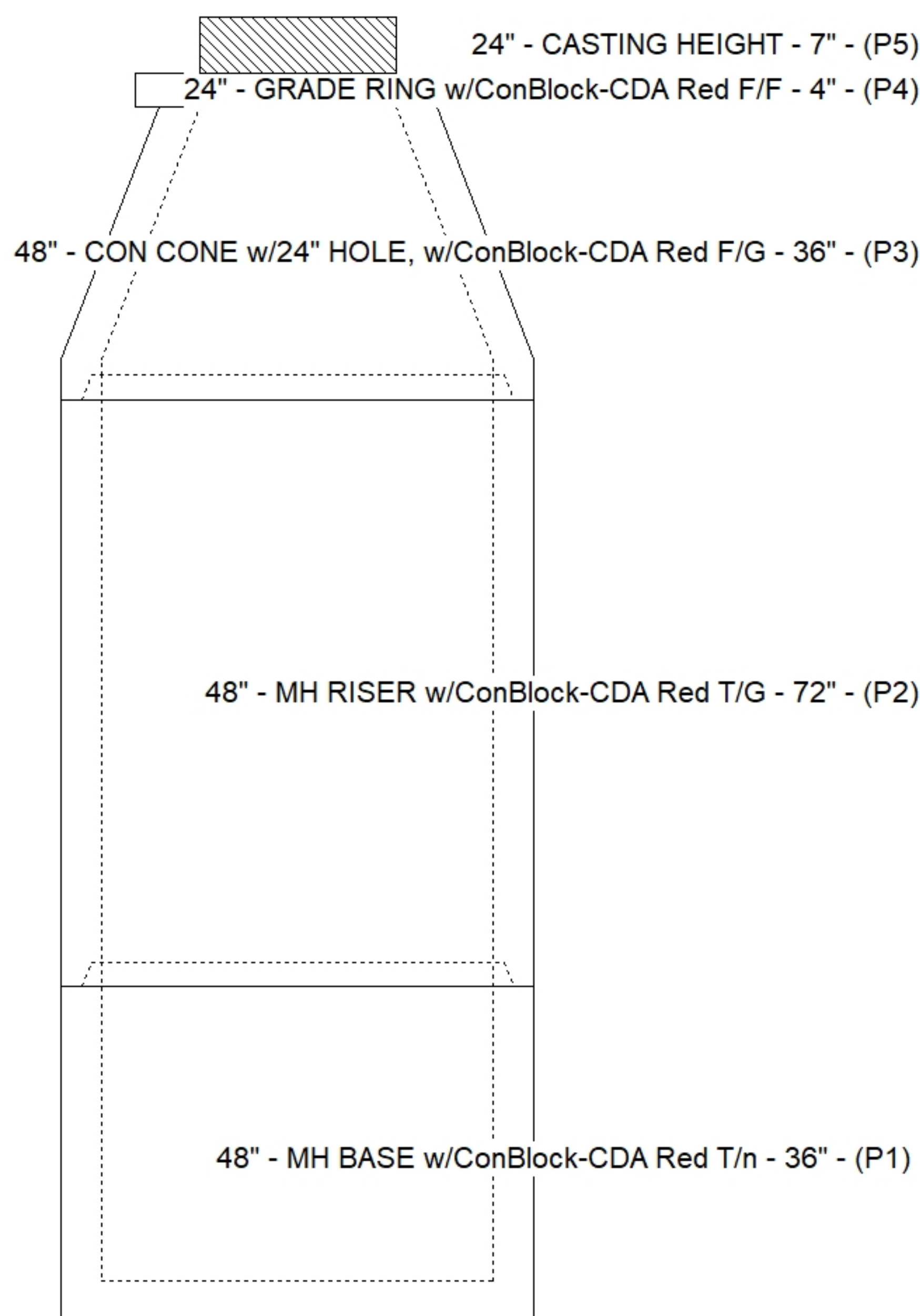
- CONE (As .12)
- RISER/WALLS (As .12)
- FLOOR (As .31) #5 BARS AT 12" C.C.E.W.

STRUCTURE SUMMARY:

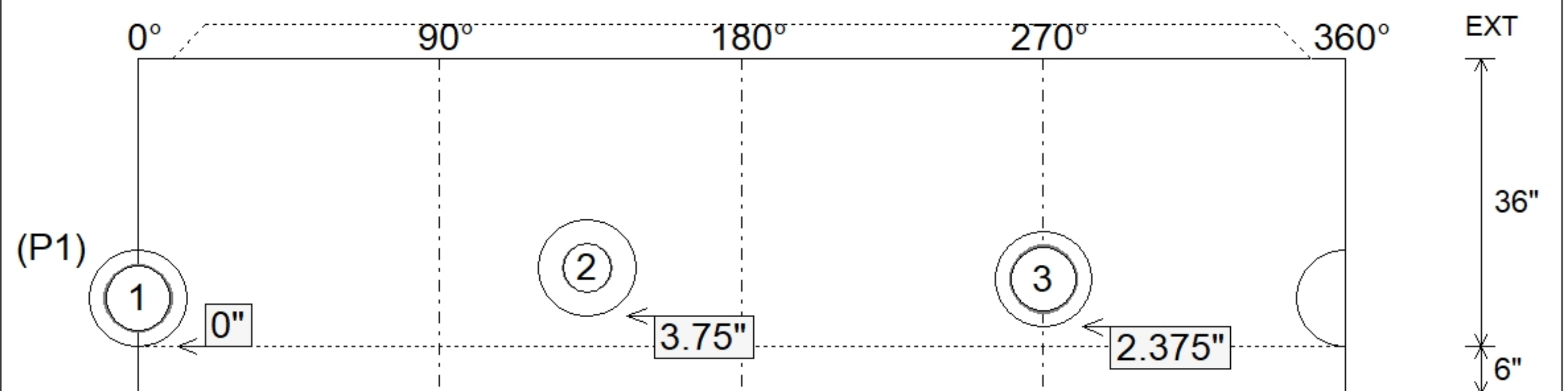
P5) 24" - CASTING HEIGHT - 7"	0 lb
P4) 24" - GRADE RING w/ConBlock-CDA Red F/F - 4"	270 lb
P3) 48" - CON CONE w/24" HOLE, w/ConBlock-CDA Red F/G - 36"	2251 lb
P2) 48" - MH RISER w/ConBlock-CDA Red T/G - 72"	5030 lb
P1) 48" - MH BASE w/ConBlock-CDA Red T/n - 36"	3701 lb
1) 48" - SAN. INV. CHANNEL w/XYPEX - FULL HEIGHT	1440 lb
1) JOINT WRAP - 0.065"x6"x50' CONSEAL CS212	0 lb
1) JOINT WRAP PRIMER - CONSEAL CS-75 (1 gal.)	0 lb
1) ADMIXTURE CONBLOCK CDA RED	0 lb
2) 48" - Conseal CS-102 1.00" (Double)	0 lb
2) PSX - 12-08 NYLO	16 lb
1) PSX - 12-06 NYLO	8 lb
12) MH Step ML-10-TDS-NCR - 10"	0 lb
Structure Total:	12716 lb



Position	Elev	Angle	Pipe	Pipe OD	Hole	Connector	Up (")	Ref
Rim	561.83'							
Reducer								
Invert 1	548.94'	0°	8" PVC SDR35	8.5"	12"	PSX 12-08 NYLO	0"	P1
Invert 2	549.34'	134°	6" PVC SDR35	6.25"	12"	PSX 12-06 NYLO	3.75"	P1
Invert 3	549.14'	270°	8" PVC SDR35	8.5"	12"	PSX 12-08 NYLO	2.375"	P1
Invert 4								
Invert 5								
Invert 6								
Invert 7								
Invert 8								



Cast (Int. Dim.) - Interior Dimensions



Submittal Drawing
 10/21/2025 9:13:00 PM

SUBMITTAL
 APPROVED BY: