

Job Name: 24-3827 400 Haynie Ave.  
 Job Location: Nashville, TN  
 Contractor: Hayes Pipe Supply

Plant: Beaver Dam

Tech: J. Horsley

10/21/2025 9:13:45 PM

PC: J. Jarvis



**Structure ID: A3 (SAMH 48)**

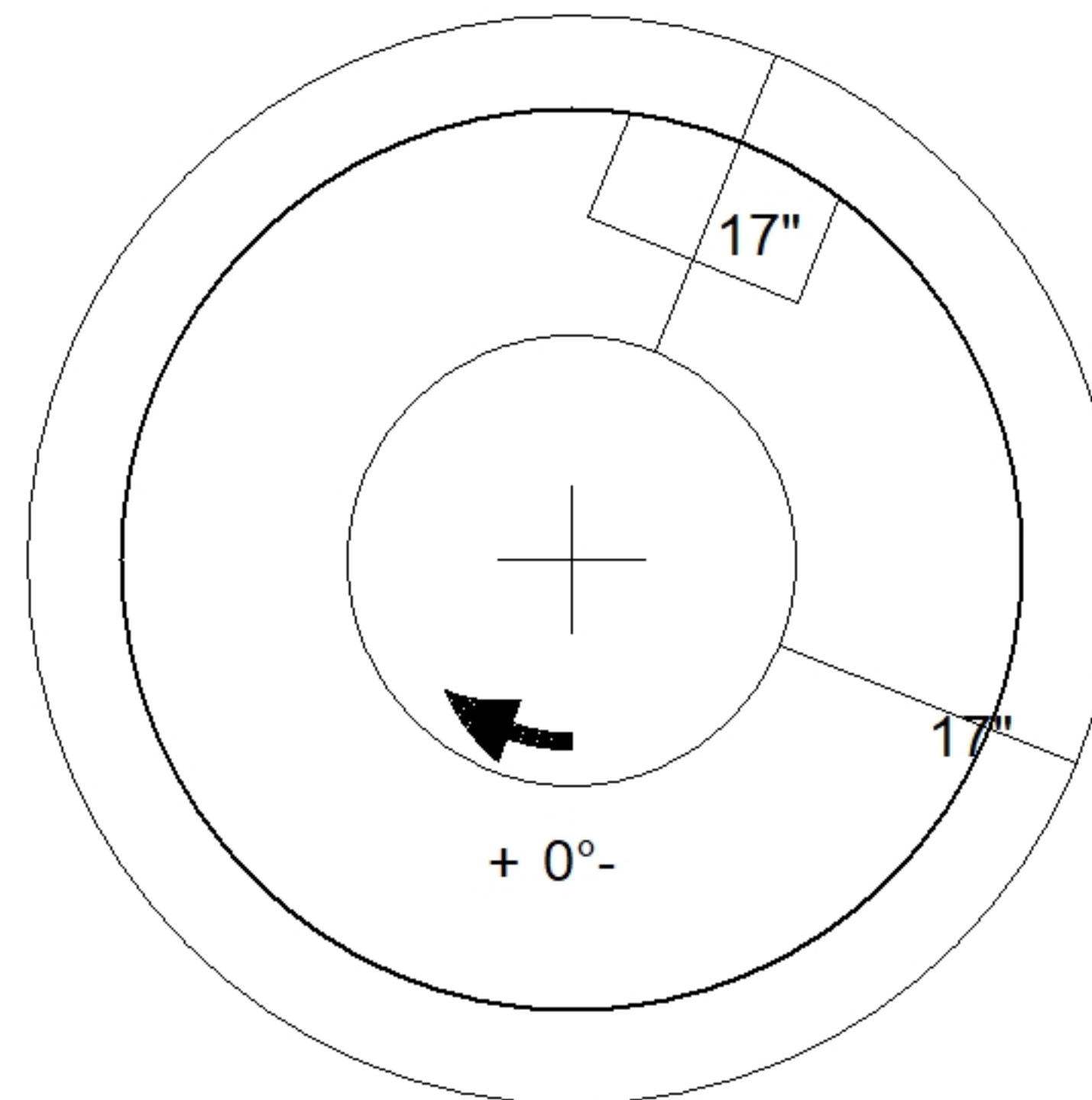
**P3 MH048CCN36CDARED**

**CON CONE w/24" HOLE, w/ConBlock-CDA Red F/G**

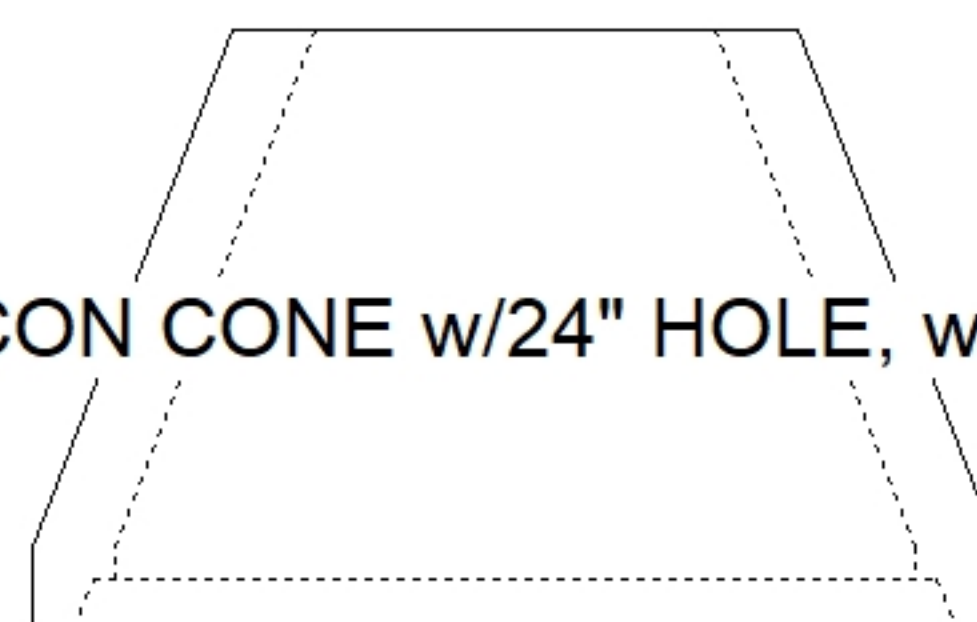
|   |          |
|---|----------|
| P5) 24" - CASTING HEIGHT - 7"                               | 0 lb     |
| P4) 24" - GRADE RING w/ConBlock-CDA Red F/F - 4"            | 270 lb   |
| P3) 48" - CON CONE w/24" HOLE, w/ConBlock-CDA Red F/G - 36" | 2251 lb  |
| P2) 48" - MH RISER w/ConBlock-CDA Red T/G - 72"             | 5030 lb  |
| P1) 48" - MH BASE w/ConBlock-CDA Red T/n - 36"              | 3701 lb  |
| 1) 48" - SAN. INV. CHANNEL w/XYPEX - FULL HEIGHT            | 1440 lb  |
| 1) JOINT WRAP - 0.065"x6"x50' CONSEAL CS212                 | 0 lb     |
| 1) JOINT WRAP PRIMER - CONSEAL CS-75 (1 gal.)               | 0 lb     |
| 1) ADMIXTURE CONBLOCK CDA RED                               | 0 lb     |
| 2) 48" - Conseal CS-102 1.00" (Double)                      | 0 lb     |
| 2) PSX - 12-08 NYLO   | 16 lb    |
| 1) PSX - 12-06 NYLO   | 8 lb     |
| 12) MH Step ML-10-TDS-NCR - 10"                             | 0 lb     |
| Structure Total:  | 12716 lb |

Structure Notes:  
 1. PER ASTM C478 SPECIFICATIONS.  
 2. CONCRETE = 4,000 PSI AT 28 DAYS.  
 3. ADMIXTURE = CONBLOCK CDA RED.  
 4. CASTING BY OTHERS.

REINFORCING PER ASTM A615 (GRADE 60).  
 - CONE (As .12)  
 - RISER/WALLS (As .12)  
 - FLOOR (As .31) #5 BARS AT 12" C.C.E.W.



48" - CON CONE w/24" HOLE, w/ConBlock-CDA Red F/G - 36" - (P3)



Coating (Int):  
 Coating (Ext):

Seam Up: Flat  
 Seam Dn: Groove

Wall Thickness: 5"

Height (Ext): 36"

Weight (Net): 2251 lb  
 Volume (Net): 0.57cu.yd