

**Job Name: 24-3827 400 Haynie Ave.**  
**Job Location: Nashville, TN**  
**Contractor: Hayes Pipe Supply**

PC: J. Jarvis  
 TECH: J. Horsley  
 Plant: Beaver Dam



Structure ID: **A2 (SAMH 48)**

Spec: Sanitary  
 Type: SAN.MH w/ConBlock-CDA Red  
 Size: 48"

Rim: 560.8'  
 Invert: 547.99'  
 Rim to Invert: 12.81'

Sump: 2"  
 Floor (Top): 547.823'  
 Floor Height: 6"

Floor (Bot): 547.323'  
 Overall Height: 13.417'  
 Slack: 0.72"

**Structure Notes:**

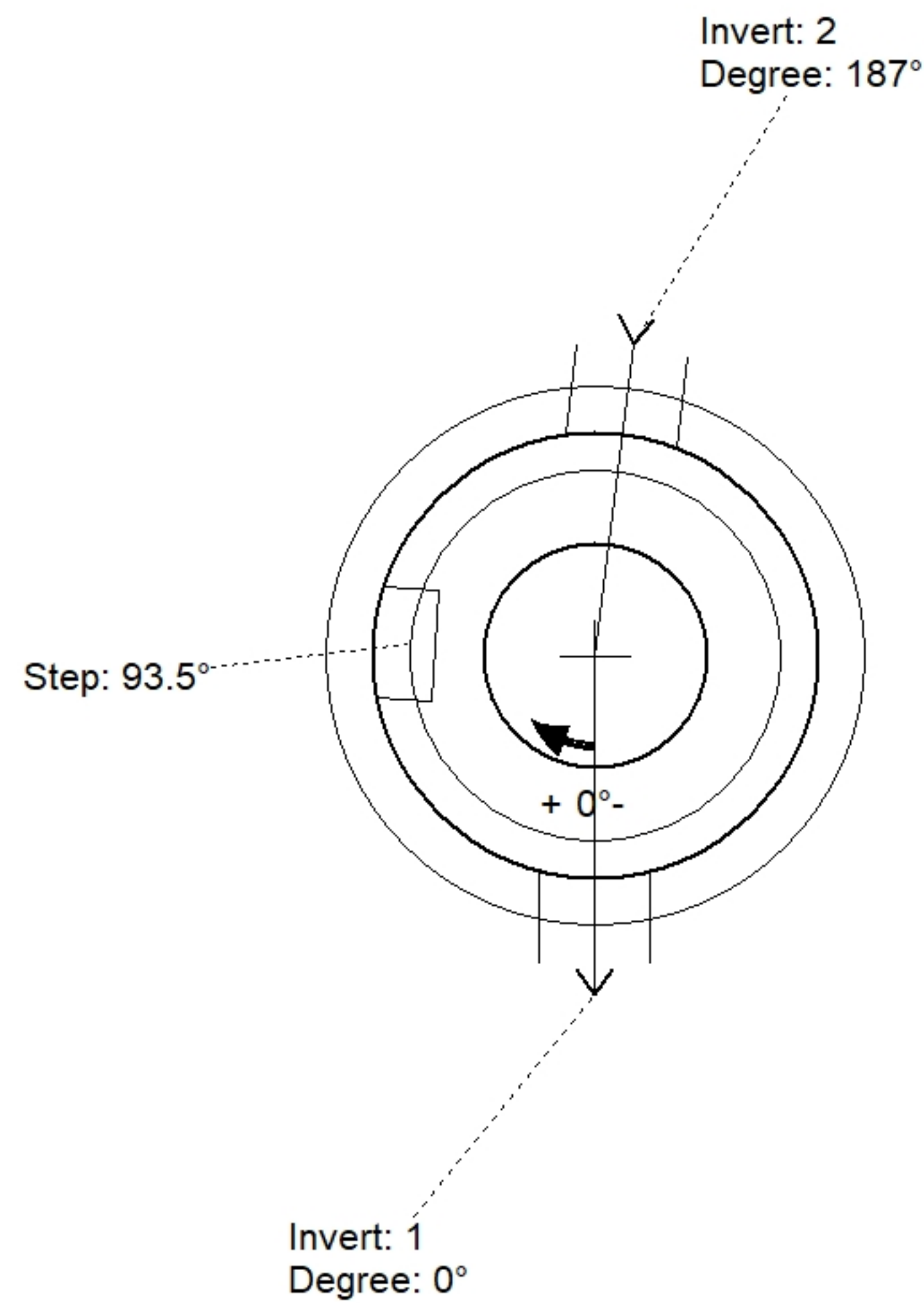
- PER ASTM C478 SPECIFICATIONS.
- CONCRETE = 4,000 PSI AT 28 DAYS.
- ADMIXTURE = CONBLOCK CDA RED.
- CASTING BY OTHERS.

**REINFORCING PER ASTM A615 (GRADE 60).**

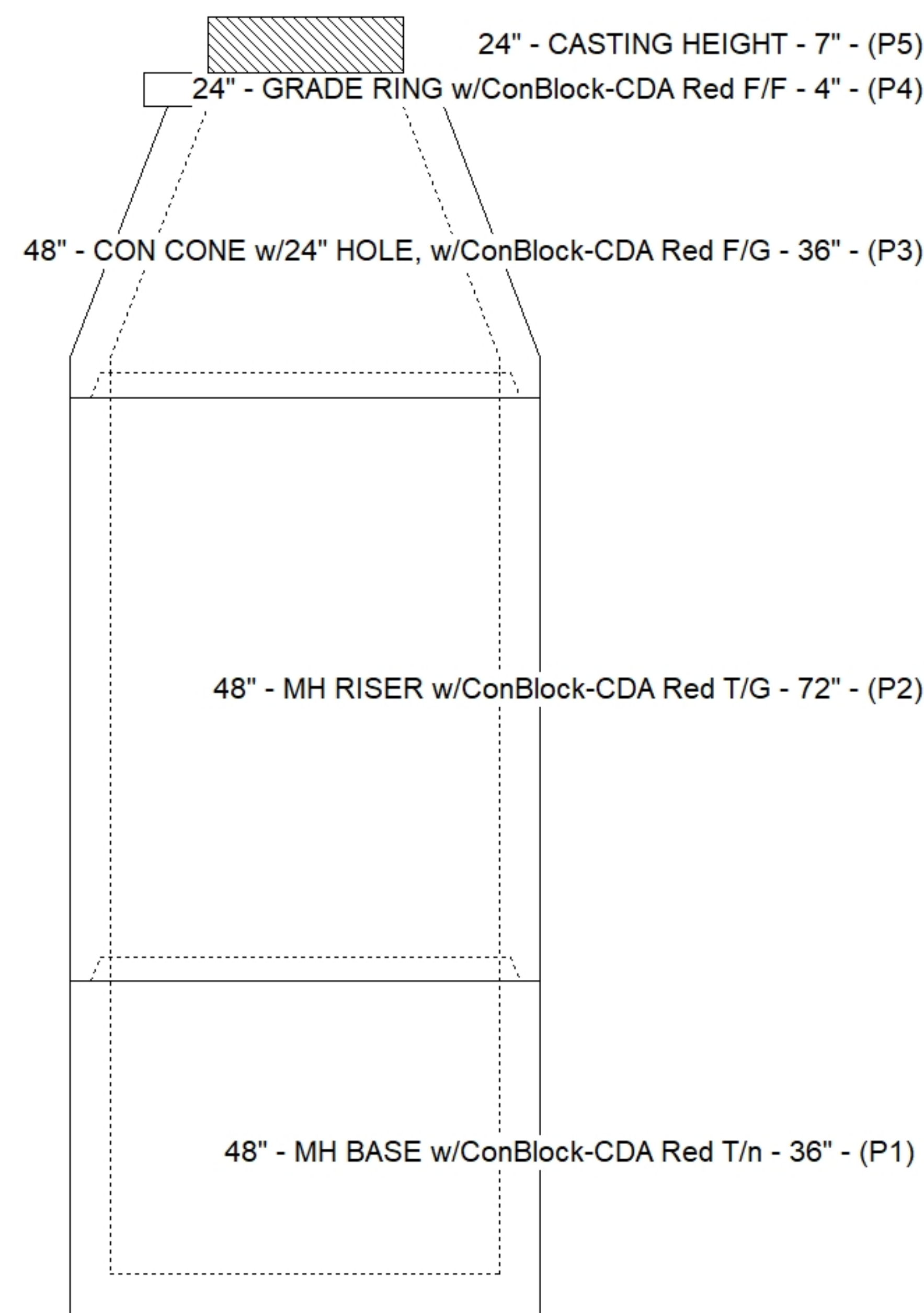
- CONE (As .12)
- RISER/WALLS (As .12)
- FLOOR (As .31) #5 BARS AT 12" C.C.E.W.

**STRUCTURE SUMMARY:**

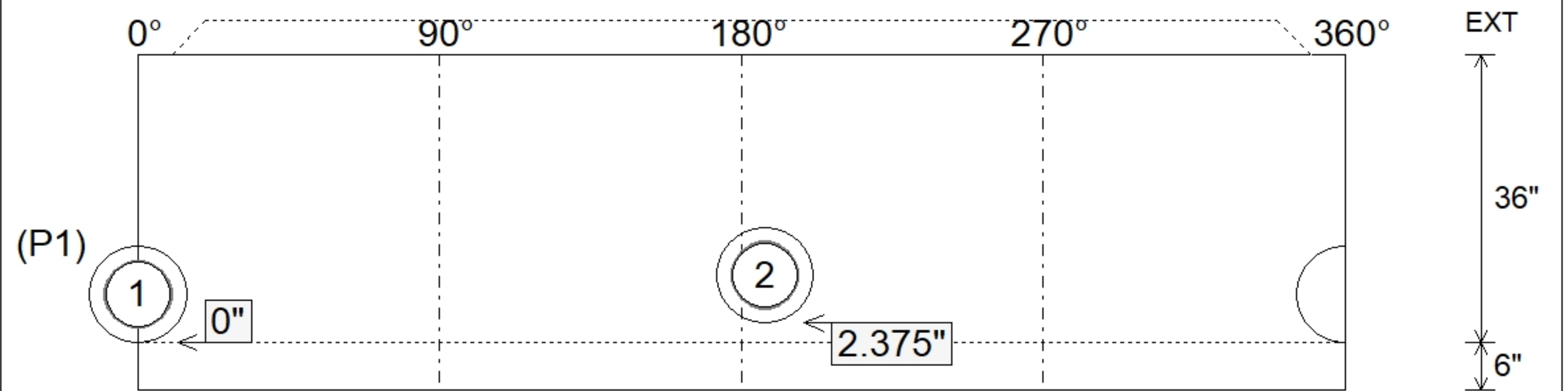
P5) 24" - CASTING HEIGHT - 7"	0 lb
P4) 24" - GRADE RING w/ConBlock-CDA Red F/F - 4"	270 lb
P3) 48" - CON CONE w/24" HOLE, w/ConBlock-CDA Red F/G - 36"	2251 lb
P2) 48" - MH RISER w/ConBlock-CDA Red T/G - 72"	5030 lb
P1) 48" - MH BASE w/ConBlock-CDA Red T/n - 36"	3749 lb
1) 48" - SAN. INV. CHANNEL w/XYPEX - FULL HEIGHT	1440 lb
1) JOINT WRAP - 0.065"x6"x50' CONSEAL CS212	0 lb
1) JOINT WRAP PRIMER - CONSEAL CS-75 (1 gal.)	0 lb
1) ADMIXTURE CONBLOCK CDA RED	0 lb
2) 48" - Conseal CS-102 1.00" (Double)	0 lb
2) PSX - 12-08 NYLO	16 lb
12) MH Step ML-10-TDS-NCR - 10"	0 lb
<b>Structure Total:</b>	<b>12756 lb</b>



Position	Elev	Angle	Pipe	Pipe OD	Hole	Connector	Up (")	Ref
Rim	560.8'							
Reducer								
Invert 1	547.99'	0°	8" PVC SDR35	8.5"	12"	PSX 12-08 NYLO	0"	P1
Invert 2	548.19'	187°	8" PVC SDR35	8.5"	12"	PSX 12-08 NYLO	2.375"	P1
Invert 3								
Invert 4								
Invert 5								
Invert 6								
Invert 7								
Invert 8								



**Cast (Int. Dim.) - Interior Dimensions**



Submittal Drawing  
 10/21/2025 9:13:00 PM

SUBMITTAL  
 APPROVED BY: