

Job Name: 24-3827 400 Haynie Ave.
Job Location: Nashville, TN
Contractor: Hayes Pipe Supply

PC: J. Jarvis
 TECH: J. Horsley
 Plant: Beaver Dam



Structure ID: A1 (SAMH 48)

Spec: Sanitary
 Type: SAN.MH Doghouse w/ConBlock
 Size: 48"

Rim: 551'
 Invert: 543.87'
 Rim to Invert: 7.13'

Sump: 2"
 Floor (Top): 543.703'
 Floor Height: 0"

Floor (Bot): 543.703'
 Overall Height: 7.25'
 Slack: 0.56"

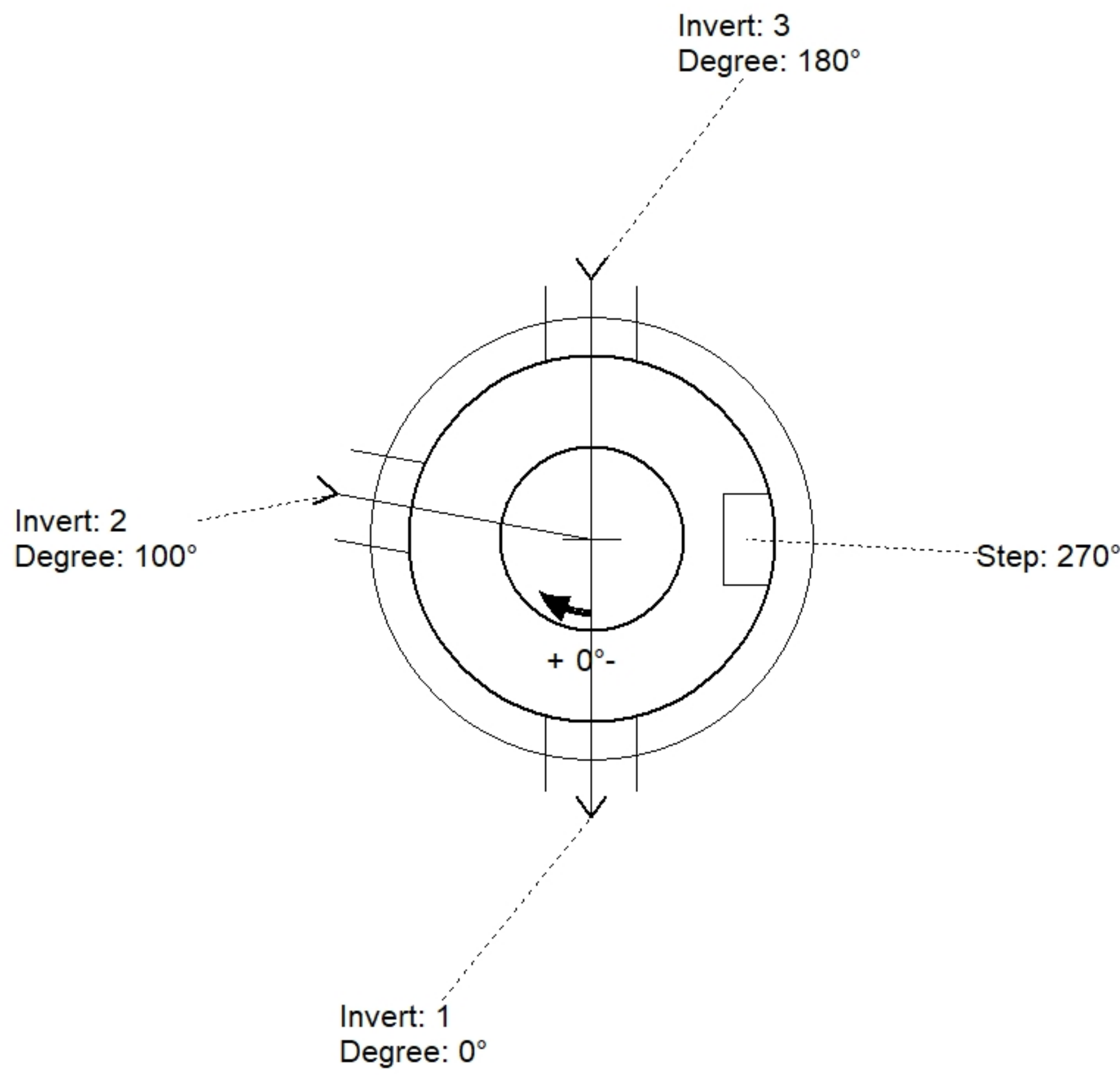
Structure Notes:

1. PER ASTM C478 SPECIFICATIONS.
2. CONCRETE = 4,000 PSI AT 28 DAYS.
3. CASTING BY OTHERS.

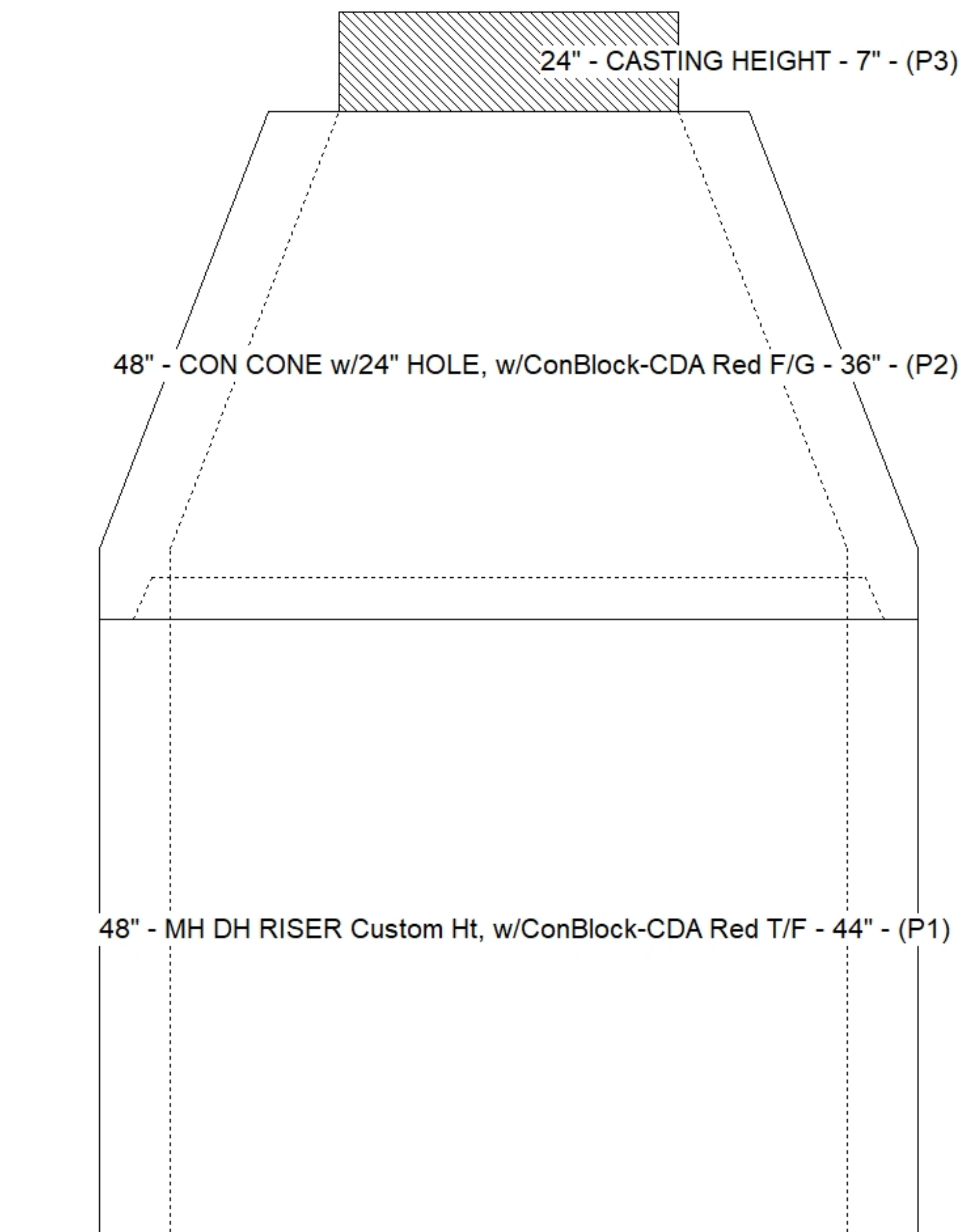
REINFORCING PER ASTM A615 (GRADE 60).
 - CONE (As .12)
 - RISER (As .12)
 - FLOOR (As .31) #5 BARS AT 12" C.C.E.W.

STRUCTURE SUMMARY:

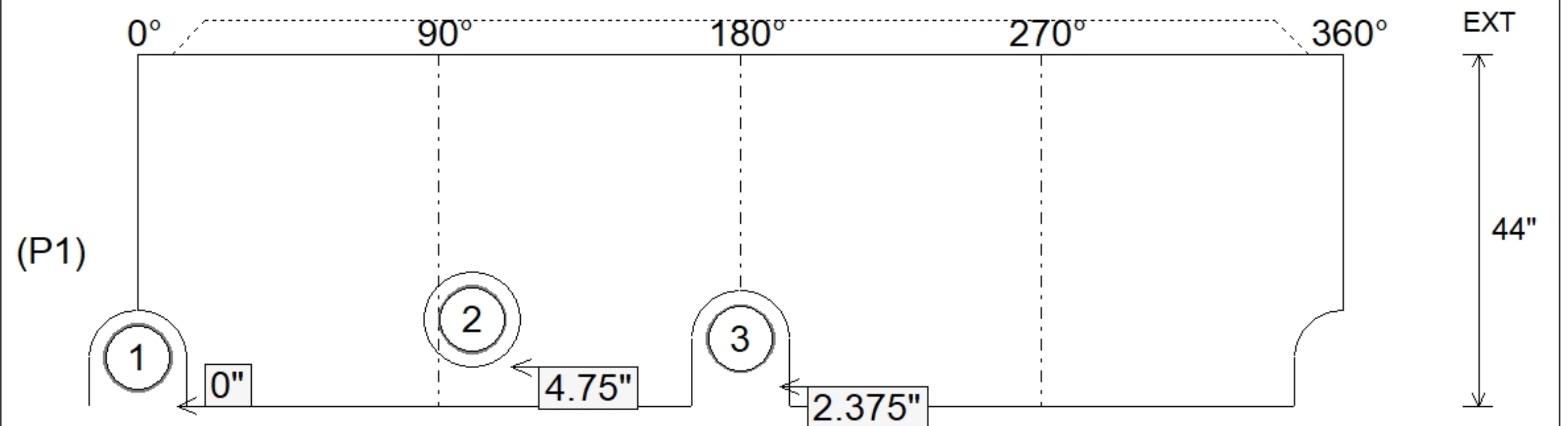
P3) 24" - CASTING HEIGHT - 7"	0 lb
P2) 48" - CON CONE w/24" HOLE, w/ConBlock-CDA Red F/G - 36"	2251 lb
P1) 48" - MH DH RISER Custom Ht, w/ConBlock-CDA Red T/F - 44"	2905 lb
1) JOINT WRAP - 0.065"x6"x50' CONSEAL CS212	0 lb
1) JOINT WRAP PRIMER - CONSEAL CS-75 (1 gal.)	0 lb
1) ADMIXTURE CONBLOCK CDA RED	0 lb
1) 48" - Conseal CS-102 1.00" (Double)	0 lb
2) DOGHOUSE - 12"x12"	0 lb
1) PSX - 12-08 NYLO	8 lb
7) MH Step ML-10-TDS-NCR - 10"	0 lb
Structure Total:	5164 lb



Position	Elev	Angle	Pipe	Pipe OD	Hole	Connector	Up (")	Ref
Rim	551'							
Reducer								
Invert 1	543.87'	0°	8" PVC SDR35	8.5"	12" x 12"	DOGHOUSE 12"x12"	0"	P1
Invert 2	544.27'	100°	8" PVC SDR35	8.5"	12"	PSX 12-08 NYLO	4.75"	P1
Invert 3	544.07'	180°	8" PVC SDR35	8.5"	12" x 12"	DOGHOUSE 12"x12"	2.375"	P1
Invert 4								
Invert 5								
Invert 6								
Invert 7								
Invert 8								



Cast (Int. Dim.) - Interior Dimensions



Submittal Drawing
 10/21/2025 9:12:58 PM

SUBMITTAL
 APPROVED BY: