

Job Name: 24-3827 400 Haynie Ave.  
 Job Location: Nashville, TN  
 Contractor: Hayes Pipe Supply

Plant: Beaver Dam  
 10/23/2025 9:11:28 AM

Tech: J. Horsley  
 PC: J. Jarvis



**Structure ID: A1 (SAMH 48)**

**P1 MH048DHVFCDA RED**

**MH DH RISER Custom Ht, w/ConBlock-CDA Red T/F**

- P3) 24" - CASTING HEIGHT - 7" 0 lb
  - P2) 48" - CON CONE w/24" HOLE, w/ConBlock-CDA Red F/G - 36" 2251 lb
  - P1) 48" - MH DH RISER Custom Ht, w/ConBlock-CDA Red T/F - 44" 2905 lb
  - 1) JOINT WRAP - 0.065"x6"x50' CONSEAL CS212 0 lb
  - 1) JOINT WRAP PRIMER - CONSEAL CS-75 (1 gal.) 0 lb
  - 1) ADMIXTURE CONBLOCK CDA RED 0 lb
  - 1) 48" - Conseal CS-102 1.00" (Double) 0 lb
  - 2) DOGHOUSE - 12"x16" 0 lb
  - 1) PSX - 12-08 NYLO 8 lb
  - 7) MH Step ML-10-TDS-NCR - 10" 0 lb
- Structure Total: 5164 lb

Structure Notes:  
 1. PER ASTM C478 SPECIFICATIONS.  
 2. CONCRETE = 4,000 PSI AT 28 DAYS.  
 3. CASTING BY OTHERS.

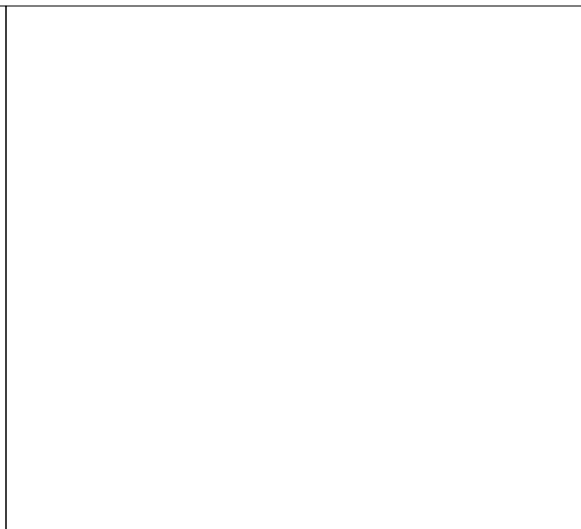
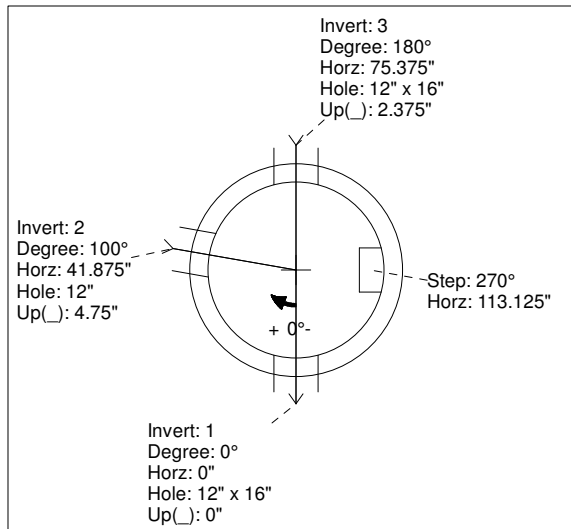
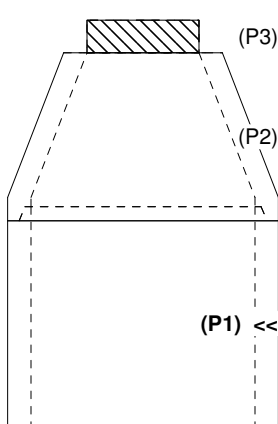
REINFORCING PER ASTM A615 (GRADE 60).  
 - CONE (As .12)  
 - RISER (As .12)  
 - FLOOR (As .31) #5 BARS AT 12" C.C.E.W.

Rim: 551'    Rim to Invert: 7.13'    Slack: 0.56"    Sump: 2"    Step Position: 270°

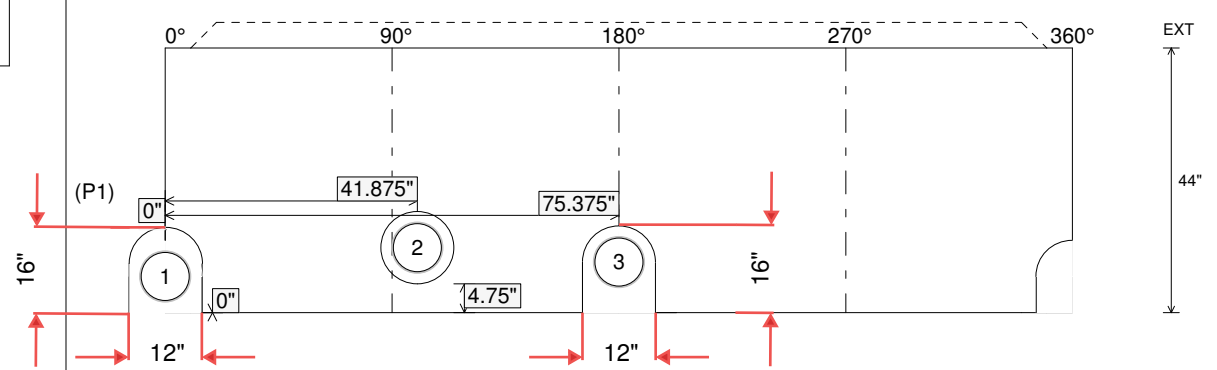
| Position | Elev    | Angle | Ext. (cw) | Pipe         | Pipe OD | Connector        | Hole      | Horz Size | Up (↓) | Offset |
|----------|---------|-------|-----------|--------------|---------|------------------|-----------|-----------|--------|--------|
| Invert 1 | 543.87' | 0°    | 0"        | 8" PVC SDR35 | 8.5"    | DOGHOUSE 12"x16" | 12" x 16" | 12.129"   | 0"     | 0"     |
| Invert 2 | 544.27' | 100°  | 50.625"   | 8" PVC SDR35 | 8.5"    | PSX 12-08 NYLO   | 12"       | 12.129"   | 4.75"  | 0"     |
| Invert 3 | 544.07' | 180°  | 91.125"   | 8" PVC SDR35 | 8.5"    | DOGHOUSE 12"x16" | 12" x 16" | 12.129"   | 2.375" | 0"     |
| Invert 4 |         |       |           |              |         |                  |           |           |        |        |
| Invert 5 |         |       |           |              |         |                  |           |           |        |        |
| Invert 6 |         |       |           |              |         |                  |           |           |        |        |
| Invert 7 |         |       |           |              |         |                  |           |           |        |        |
| Invert 8 |         |       |           |              |         |                  |           |           |        |        |

RIGHT-SIDE UP VIEW (int. dimensions)

UPSIDE-DOWN VIEW (int. dimensions)



INSIDE WALL DIMENSIONS



|                                  |                                  |  |  |  |
|----------------------------------|----------------------------------|--|--|--|
| Coating (Int):<br>Coating (Ext): | Seam Up: Tongue<br>Seam Dn: Flat | Wall Thickness: 5"<br>Floor Height: 0" | Height (Int): 44"<br>Height (Ext): 44" | Weight (Net): 2905 lb<br>Volume (Net): 0.74cu.yd |
|----------------------------------|----------------------------------|--|--|--|