

Job Name: 24-3781 Anderson Park At Indian Lake
Job Location: Hendersonville, TN
Contractor: Apex

PC: A. Chambers
 TECH: J. Coppage
 Plant: Beaver Dam



Structure ID: **MH G2**

Spec: Sanitary
 Type: SAN.MH w/ConBlock-CDA Red
 Size: 48"

Rim: 535.7'
 Invert: 528.7'
 Rim to Invert: 7'

Sump: 2"
 Floor (Top): 528.533'
 Floor Height: 6"

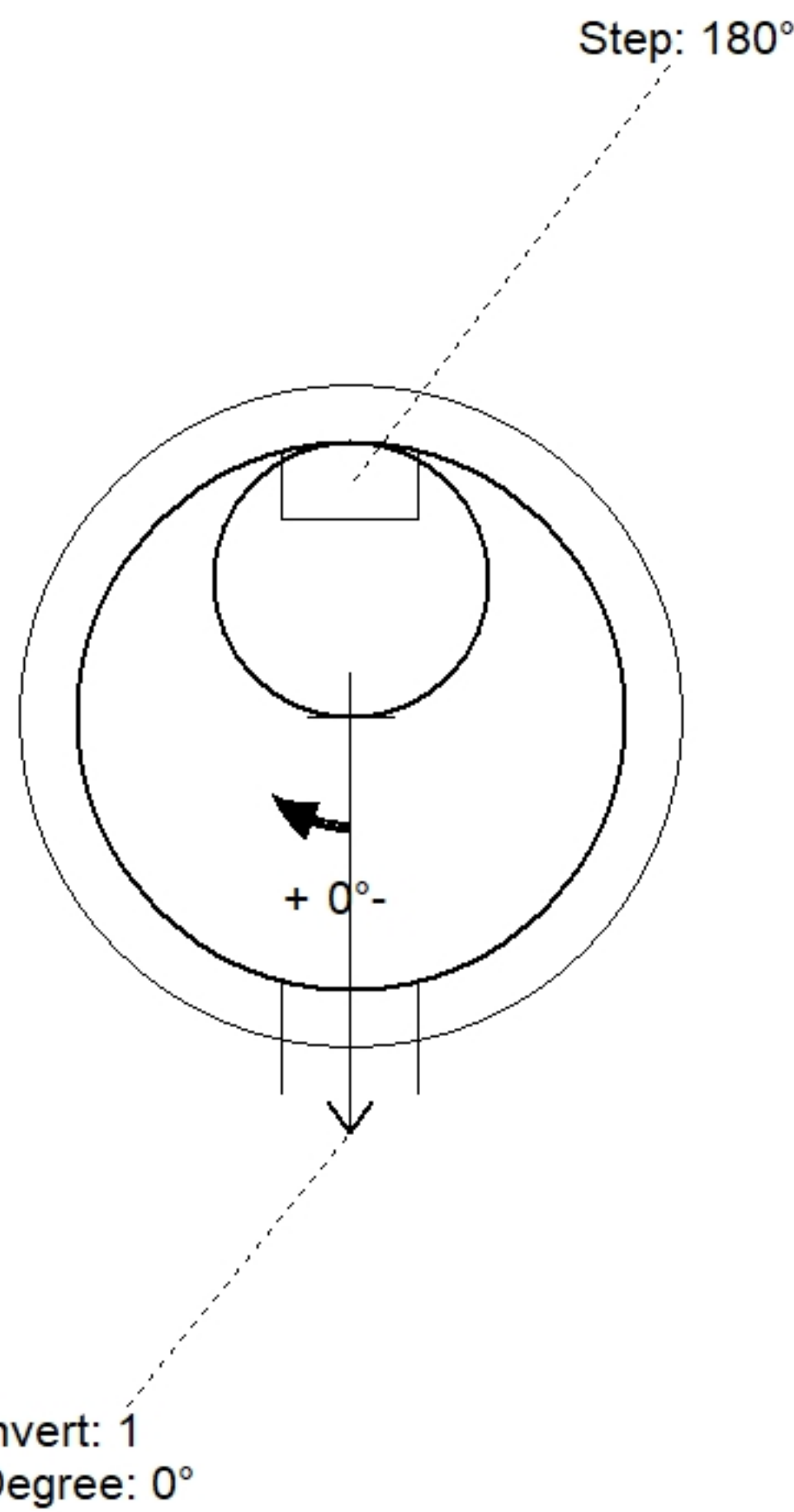
Floor (Bot): 528.033'
 Overall Height: 7.5'
 Slack: 2"

Structure Notes:

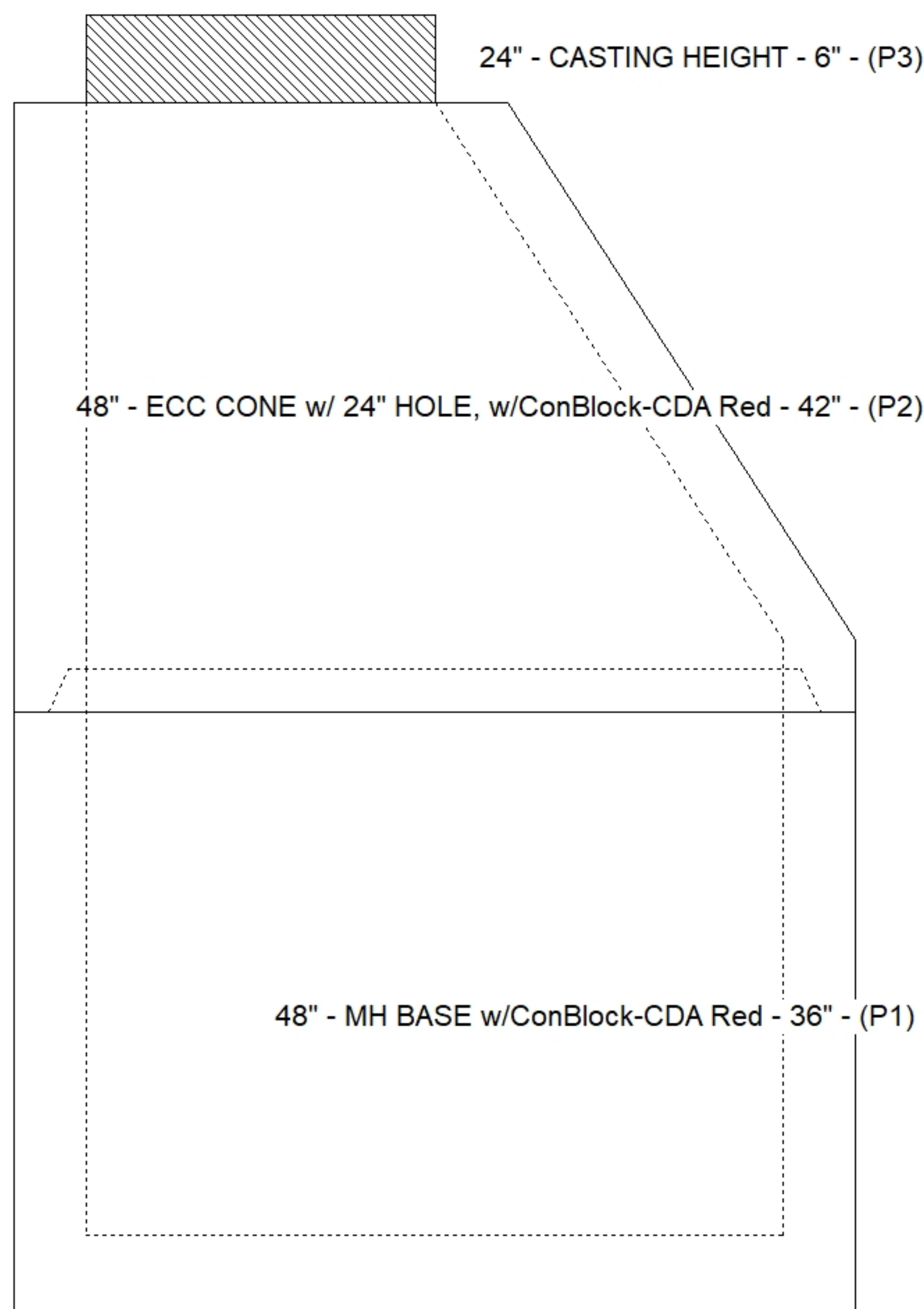
1. JBS-1150 SANITARY PROVIDED BY ICAST.
 2. PER ASTM C478 SPECIFICATIONS.
 3. CONCRETE = 4,000 PSI AT 28 DAYS.
 4. ADMIXTURE = CONBLOCK CDA RED.
 5. REINFORCING PER ASTM A615 (GRADE 60).
- CONE (As .12)
 - RISER/WALLS (As .12)
 - FLOOR (As .31) #5 BARS AT 12" C.C.E.W.

STRUCTURE SUMMARY:

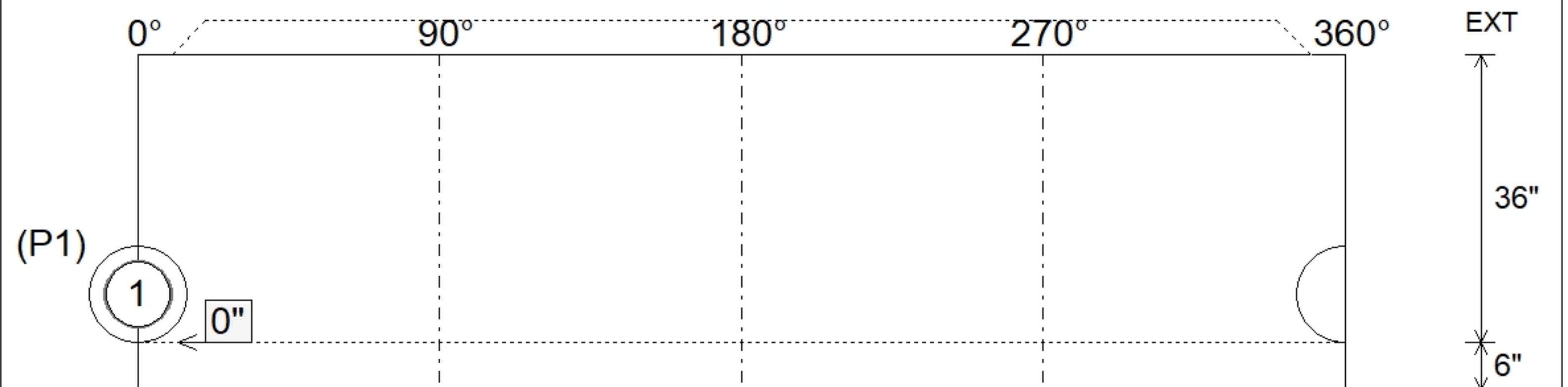
| | |
|---|----------------|
| P3) 24" - CASTING HEIGHT - 6" | 0 lb |
| P2) 48" - ECC CONE w/ 24" HOLE, w/ConBlock-CDA Red - 42" | 3116 lb |
| P1) 48" - MH BASE w/ConBlock-CDA Red - 36" | 3797 lb |
| 1) JOINT WRAP - 0.065"x6"x50' CONSEAL CS212 | 0 lb |
| 1) JOINT WRAP PRIMER - CONSEAL CS-75 (1 gal.) | 0 lb |
| 1) 48" - MH INVERT CHANNEL w/ConBlock-CDA Red - FULL HEIGHT | 1440 lb |
| 1) 48" - Con Seal CS-102 1.00" (Double) | 0 lb |
| 1) PSX - 12-08 NYLO | 8 lb |
| 7) MH Step ML-10-TDS-NCR - 10" | 0 lb |
| Structure Total: | 8362 lb |



| Position | Elev | Angle | Pipe | Pipe OD | Hole | Connector | Up () | Ref |
|----------|--------|-------|--------------|---------|------|----------------|--------|-----|
| Rim | 535.7' | | | | | | | |
| Reducer | | | | | | | | |
| Invert 1 | 528.7' | 0° | 8" PVC SDR35 | 8.5" | 12" | PSX 12-08 NYLO | 0" | P1 |
| Invert 2 | | | | | | | | |
| Invert 3 | | | | | | | | |
| Invert 4 | | | | | | | | |
| Invert 5 | | | | | | | | |
| Invert 6 | | | | | | | | |
| Invert 7 | | | | | | | | |
| Invert 8 | | | | | | | | |



Default - Interior Dimensions



Submittal Drawing
 1/8/2026 3:38:07 PM

SUBMITTAL
 APPROVED BY: