

**Job Name: 24-3781 Anderson Park At Indian Lake**  
**Job Location: Hendersonville, TN**  
**Contractor: Apex**

PC: A. Chambers  
 TECH: J. Coppage  
 Plant: Beaver Dam



Structure ID: **MH F2**

Spec: Sanitary  
 Type: SAN.MH w/ConBlock-CDA Red  
 Size: 48"

Rim: 527.7'  
 Invert: 521.65'  
 Rim to Invert: 6.05'

Sump: 2"  
 Floor (Top): 521.483'  
 Floor Height: 6"

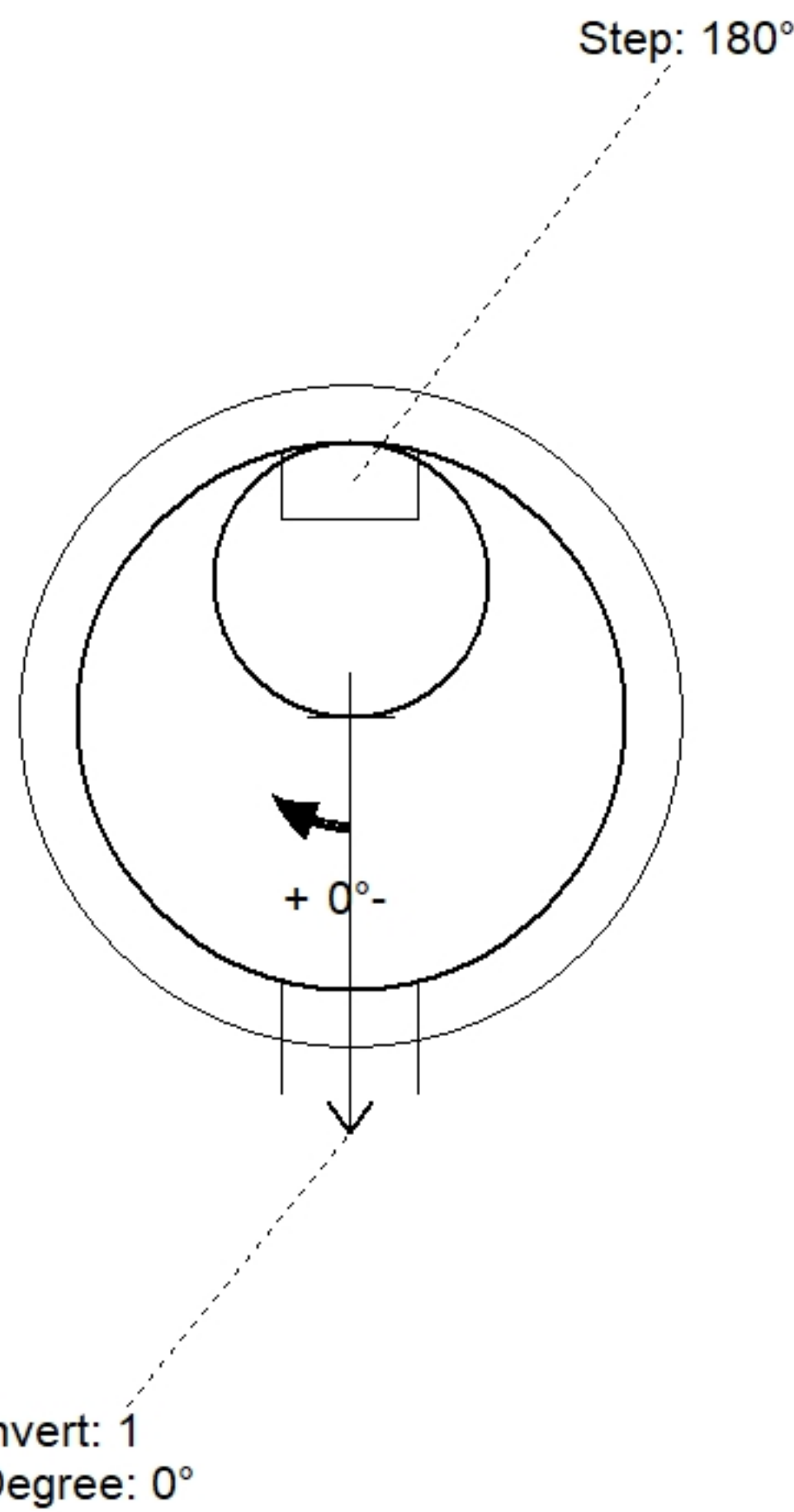
Floor (Bot): 520.983'  
 Overall Height: 6.5'  
 Slack: 2.6"

**Structure Notes:**

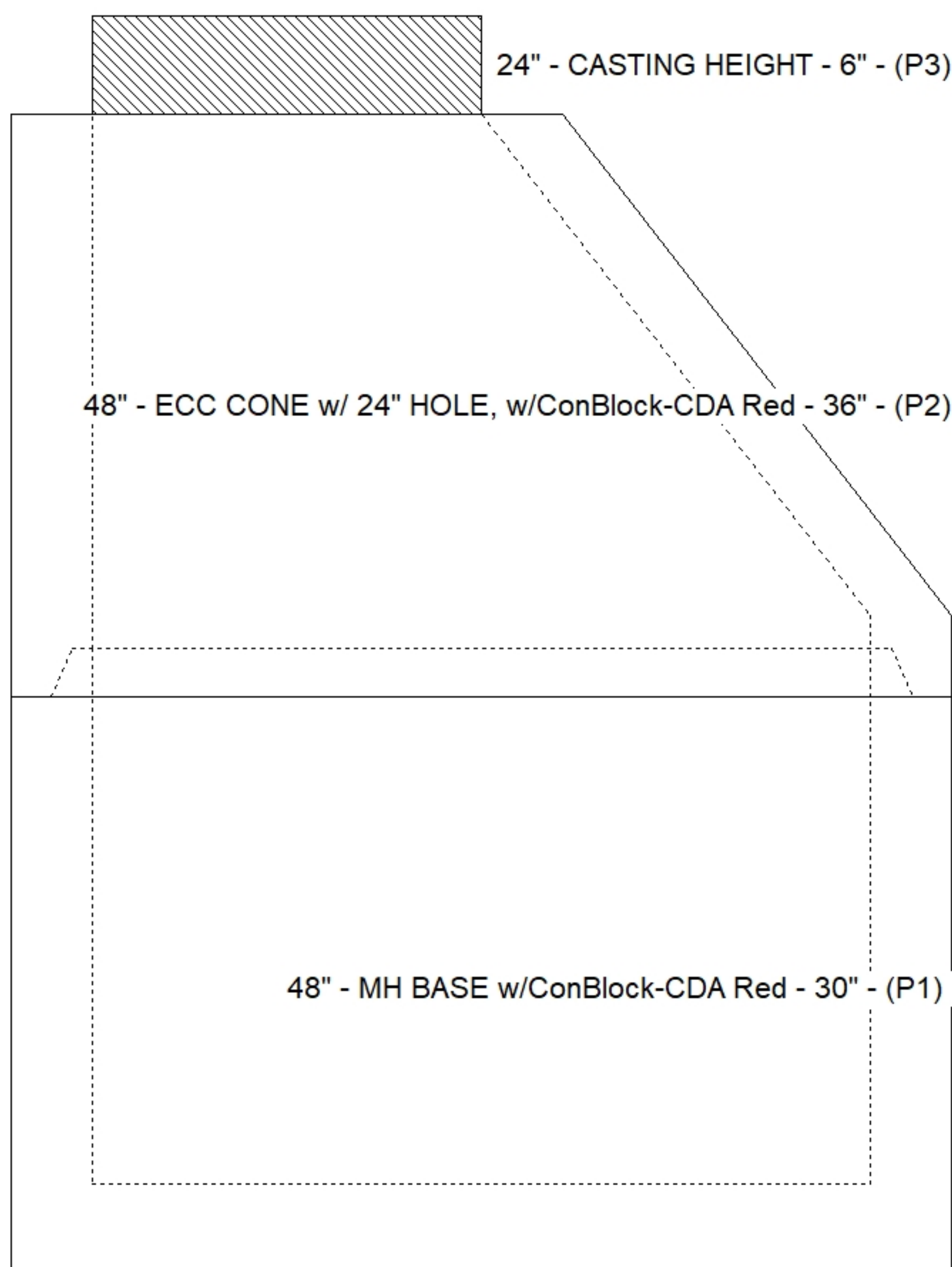
1. JBS-1150 SANITARY PROVIDED BY ICAST.
  2. PER ASTM C478 SPECIFICATIONS.
  3. CONCRETE = 4,000 PSI AT 28 DAYS.
  4. ADMIXTURE = CONBLOCK CDA RED.
  5. REINFORCING PER ASTM A615 (GRADE 60).
- CONE (As .12)
  - RISER/WALLS (As .12)
  - FLOOR (As .31) #5 BARS AT 12" C.C.E.W.

**STRUCTURE SUMMARY:**

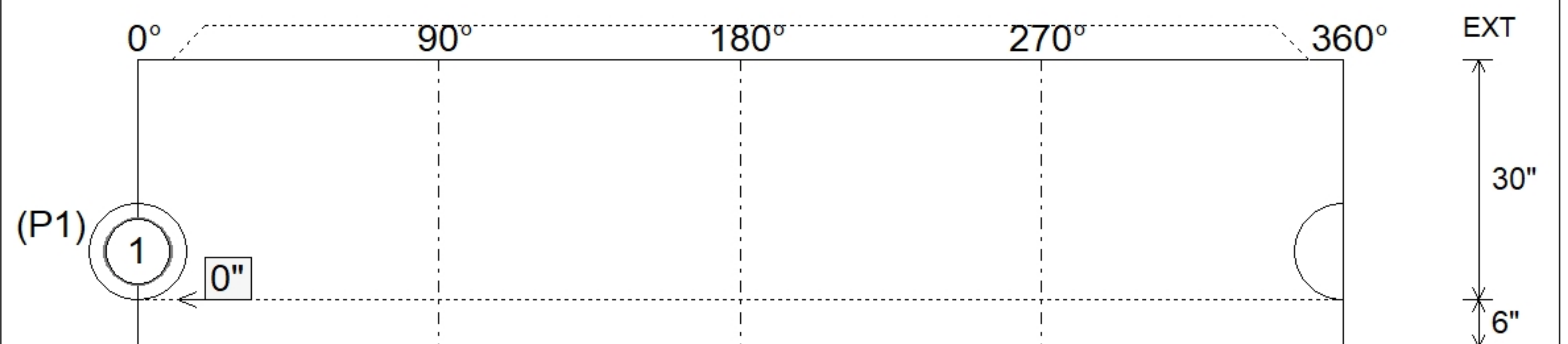
P3) 24" - CASTING HEIGHT - 6"	0 lb
P2) 48" - ECC CONE w/ 24" HOLE, w/ConBlock-CDA Red - 36"	2251 lb
P1) 48" - MH BASE w/ConBlock-CDA Red - 30"	3378 lb
1) JOINT WRAP - 0.065"x6"x50' CONSEAL CS212	0 lb
1) JOINT WRAP PRIMER - CONSEAL CS-75 (1 gal.)	0 lb
1) 48" - MH INVERT CHANNEL w/ConBlock-CDA Red - FULL HEIGHT	1440 lb
1) 48" - Conseal CS-102 1.00" (Double)	0 lb
1) PSX - 12-08 NYLO	8 lb
5) MH Step ML-10-TDS-NCR - 10"	0 lb
<b>Structure Total:</b>	<b>7077 lb</b>



Position	Elev	Angle	Pipe	Pipe OD	Hole	Connector	Up ( )	Ref
Rim	527.7'							
Reducer								
Invert 1	521.65'	0°	8" PVC SDR35	8.5"	12"	PSX 12-08 NYLO	0"	P1
Invert 2								
Invert 3								
Invert 4								
Invert 5								
Invert 6								
Invert 7								
Invert 8								



**Default - Interior Dimensions**



Submittal Drawing  
 1/8/2026 3:38:06 PM

SUBMITTAL  
 APPROVED BY: