

Job Name: 24-3781 Anderson Park At Indian Lake
Job Location: Hendersonville, TN
Contractor: Apex

PC: A. Chambers
 TECH: J. Coppage
 Plant: Beaver Dam



Structure ID: MH F1

Spec: Sanitary
 Type: SAN.MH w/ConBlock-CDA Red
 Size: 48"

Rim: 526.5'
 Invert: 519.3'
 Rim to Invert: 7.2'

Sump: 2"
 Floor (Top): 519.133'
 Floor Height: 6"

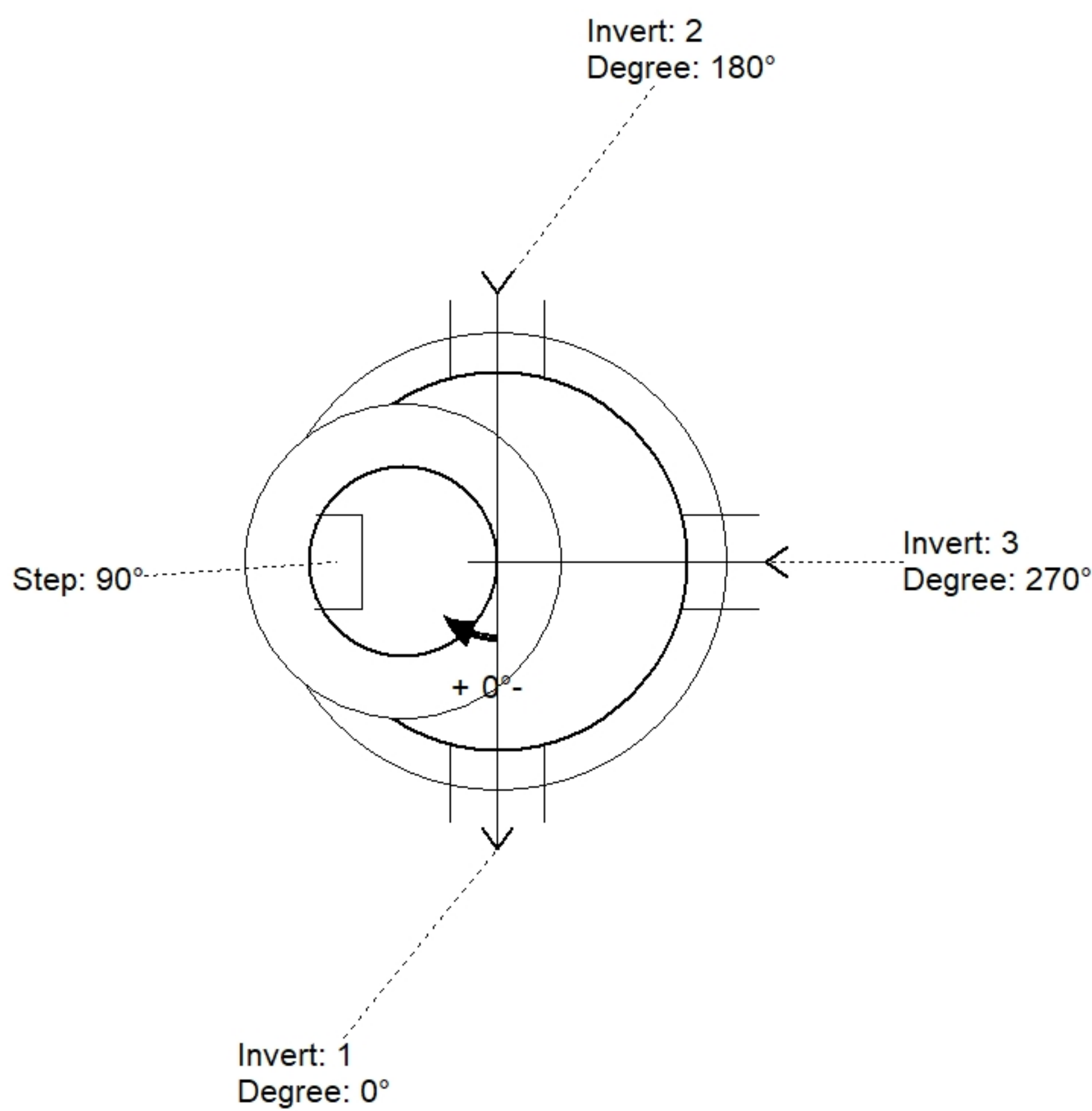
Floor (Bot): 518.633'
 Overall Height: 7.833'
 Slack: 0.4"

Structure Notes:

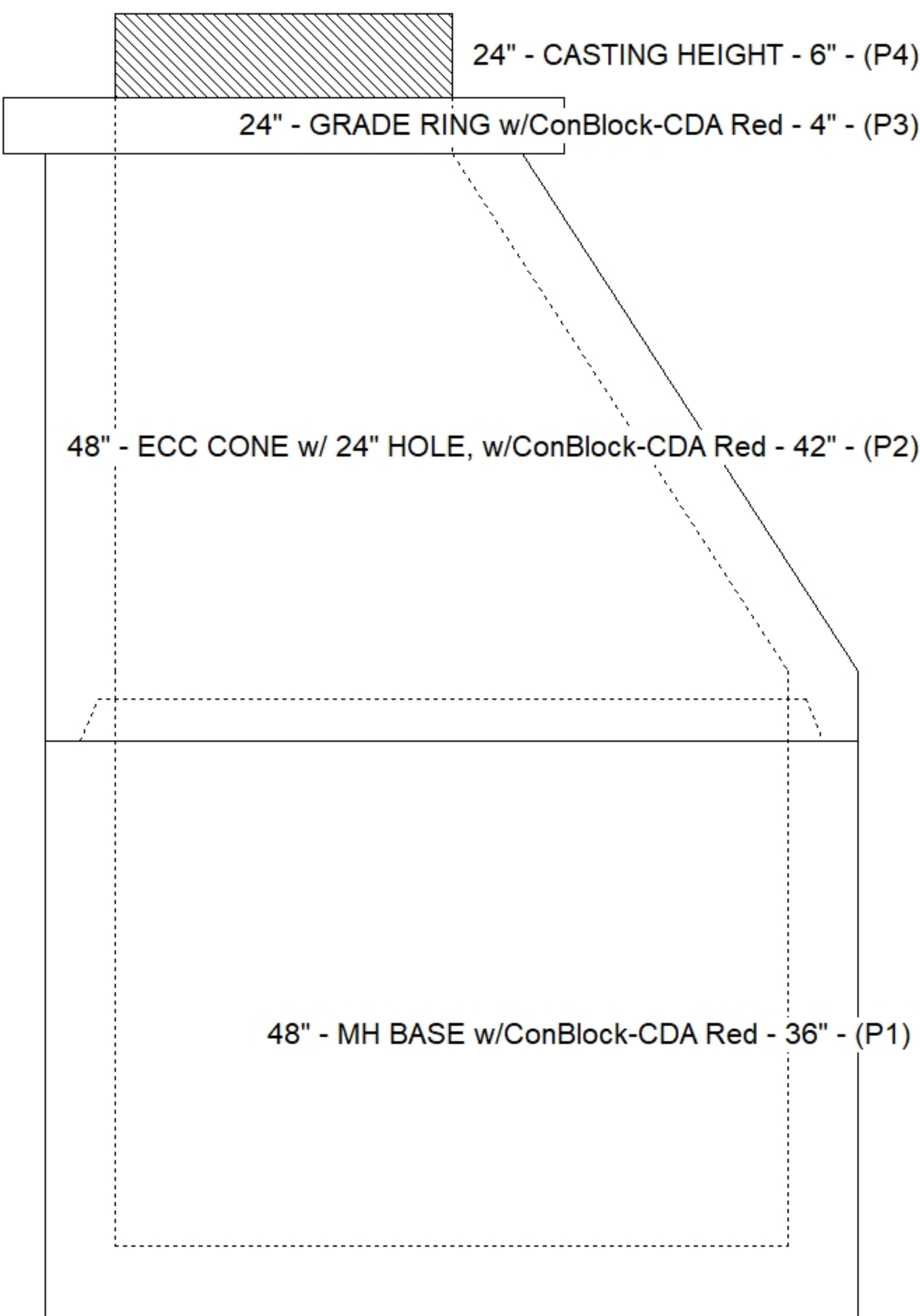
1. JBS-1150 SANITARY PROVIDED BY ICAST.
2. PER ASTM C478 SPECIFICATIONS.
3. CONCRETE = 4,000 PSI AT 28 DAYS.
4. ADMIXTURE = CONBLOCK CDA RED.
5. REINFORCING PER ASTM A615 (GRADE 60).
 - CONE (As .12)
 - RISER/WALLS (As .12)
 - FLOOR (As .31) #5 BARS AT 12" C.C.E.W.

STRUCTURE SUMMARY:

P4) 24" - CASTING HEIGHT - 6"	0 lb
P3) 24" - GRADE RING w/ConBlock-CDA Red - 4"	270 lb
P2) 48" - ECC CONE w/ 24" HOLE, w/ConBlock-CDA Red - 42"	3116 lb
P1) 48" - MH BASE w/ConBlock-CDA Red - 36"	3701 lb
1) JOINT WRAP - 0.065"x6"x50' CONSEAL CS212	0 lb
1) JOINT WRAP PRIMER - CONSEAL CS-75 (1 gal.)	0 lb
1) 48" - MH INVERT CHANNEL w/ConBlock-CDA Red - FULL HEIGHT	1440 lb
1) 48" - Conseal CS-102 1.00" (Double)	0 lb
3) PSX - 12-08 NYLO	24 lb
7) MH Step ML-10-TDS-NCR - 10"	0 lb
Structure Total:	8552 lb



Position	Elev	Angle	Pipe	Pipe OD	Hole	Connector	Up ()	Ref
Rim	526.5'							
Reducer								
Invert 1	519.3'	0°	8" PVC SDR35	8.5"	12"	PSX 12-08 NYLO	0"	P1
Invert 2	519.5'	180°	8" PVC SDR35	8.5"	12"	PSX 12-08 NYLO	2.4"	P1
Invert 3	519.5'	270°	8" PVC SDR35	8.5"	12"	PSX 12-08 NYLO	2.4"	P1
Invert 4								
Invert 5								
Invert 6								
Invert 7								
Invert 8								



Default - Interior Dimensions



Submittal Drawing
 1/8/2026 3:38:06 PM

SUBMITTAL
 APPROVED BY: