

Job Name: 24-3781 Anderson Park At Indian Lake
 Job Location: Hendersonville, TN
 Contractor: Apex

Plant: Beaver Dam
 1/7/2026 2:04:21 PM

Tech: J. Coppage
 PC: A. Chambers



Structure ID: MH F1

P1 MH048BA36CDARED

MH BASE w/ConBlock-CDA Red

- P4) 24" - CASTING HEIGHT - 6"
- P3) 24" - GRADE RING w/ConBlock-CDA Red - 4"
- P2) 48" - ECC CONE w/ 24" HOLE, w/ConBlock-CDA Red - 42"
- P1) 48" - MH BASE w/ConBlock-CDA Red - 36"
- 1) JOINT WRAP - 0.065"x6"x50' CONSEAL CS212
- 1) JOINT WRAP PRIMER - CONSEAL CS-75 (1 gal.)
- 1) 48" - MH INVERT CHANNEL w/ConBlock-CDA Red - FULL HEIGHT
- 1) 48" - Conseal CS-102 1.00" (Double)
- 3) PSX - 12-08 NYLO
- 7) MH Step ML-10-TDS-NCR - 10"

- Structure Notes:**
1. JBS-1150 SANITARY PROVIDED BY ICAST.
 2. PER ASTM C478 SPECIFICATIONS.
 3. CONCRETE = 4,000 PSI AT 28 DAYS.
 4. ADMIXTURE = CONBLOCK CDA RED.
 5. REINFORCING PER ASTM A615 (GRADE 60).
 - CONE (As .12)
 - RISER/WALLS (As .12)
 - FLOOR (As .31) #5 BARS AT 12" C.C.E.W.

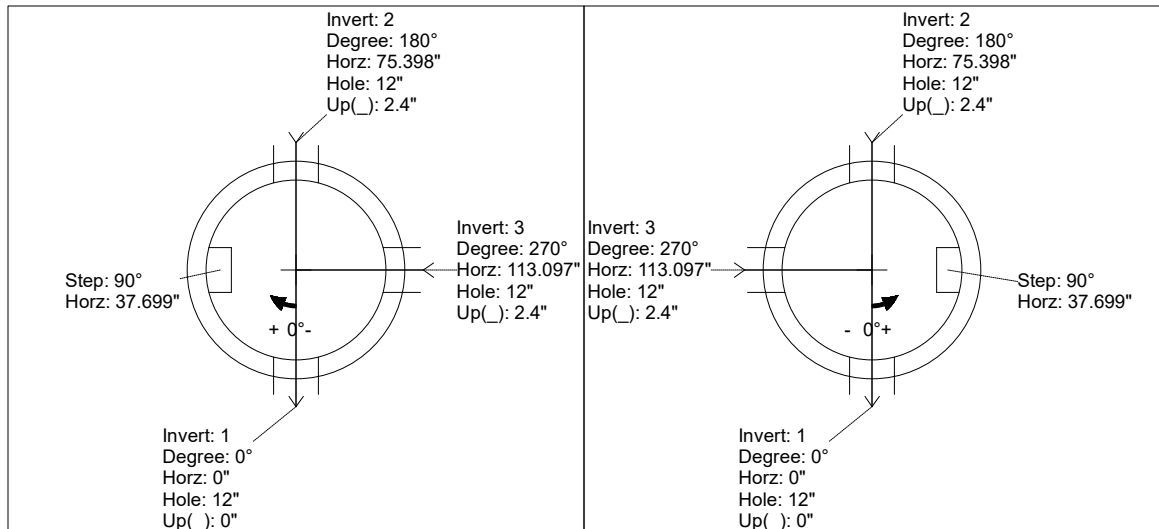
Structure Total: 8552 lb

Rim: 526.5' Rim to Invert: 7.2' Slack: 0.4" Sump: 2" Step Position: 90°

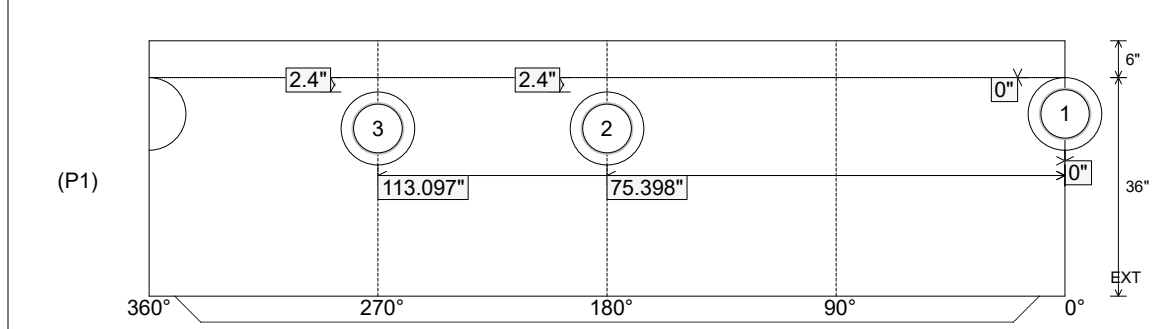
| Position | Elev | Angle | Ext. (cw) | Pipe | Pipe OD | Connector | Hole | Horz Size | Up () | Offset |
|----------|--------|-------|-----------|--------------|---------|----------------|------|-----------|--------|--------|
| Invert 1 | 519.3' | 0° | 0" | 8" PVC SDR35 | 8.5" | PSX 12-08 NYLO | 12" | 12.129" | 0" | 0" |
| Invert 2 | 519.5' | 180° | 91.106" | 8" PVC SDR35 | 8.5" | PSX 12-08 NYLO | 12" | 12.129" | 2.4" | 0" |
| Invert 3 | 519.5' | 270° | 136.659" | 8" PVC SDR35 | 8.5" | PSX 12-08 NYLO | 12" | 12.129" | 2.4" | 0" |
| Invert 4 | | | | | | | | | | |
| Invert 5 | | | | | | | | | | |
| Invert 6 | | | | | | | | | | |
| Invert 7 | | | | | | | | | | |
| Invert 8 | | | | | | | | | | |

RIGHT-SIDE UP VIEW (int. dimensions)

UPSIDE-DOWN VIEW (int. dimensions)



INSIDE WALL DIMENSIONS



| | | | | |
|----------------------------------|---------------------------------|--|--|--|
| Coating (Int): Coating (Ext): | Seam Up: Tongue Seam Dn: n/a | Wall Thickness: 5" Floor Height: 6" | Height (Int): 36" Height (Ext): 42" | Weight (Net): 3701 lb Volume (Net): 0.94cu.yd |
|----------------------------------|---------------------------------|--|--|--|

Job Name: 24-3781 Anderson Park At Indian Lake
 Job Location: Hendersonville, TN
 Contractor: Apex

Plant: Beaver Dam

Tech: J. Coppage

1/7/2026 2:04:21 PM

PC: A. Chambers



Structure ID: MH F1

P1 MH048BA36CDARED

MH BASE w/ConBlock-CDA Red

- P4) 24" - CASTING HEIGHT - 6"
- P3) 24" - GRADE RING w/ConBlock-CDA Red - 4"
- P2) 48" - ECC CONE w/ 24" HOLE, w/ConBlock-CDA Red - 42"
- P1) 48" - MH BASE w/ConBlock-CDA Red - 36"
- 1) JOINT WRAP - 0.065"x6"x50' CONSEAL CS212
- 1) JOINT WRAP PRIMER - CONSEAL CS-75 (1 gal.)
- 1) 48" - MH INVERT CHANNEL w/ConBlock-CDA Red - FULL HEIGHT
- 1) 48" - Conseal CS-102 1.00" (Double)
- 3) PSX - 12-08 NYLO
- 7) MH Step ML-10-TDS-NCR - 10"

- Structure Notes:**
1. JBS-1150 SANITARY PROVIDED BY ICAST.
 2. PER ASTM C478 SPECIFICATIONS.
 3. CONCRETE = 4,000 PSI AT 28 DAYS.
 4. ADMIXTURE = CONBLOCK CDA RED.
 5. REINFORCING PER ASTM A615 (GRADE 60).
 - CONE (As .12)
 - RISER/WALLS (As .12)
 - FLOOR (As .31) #5 BARS AT 12" C.C.E.W.

Structure Total: 8552 lb

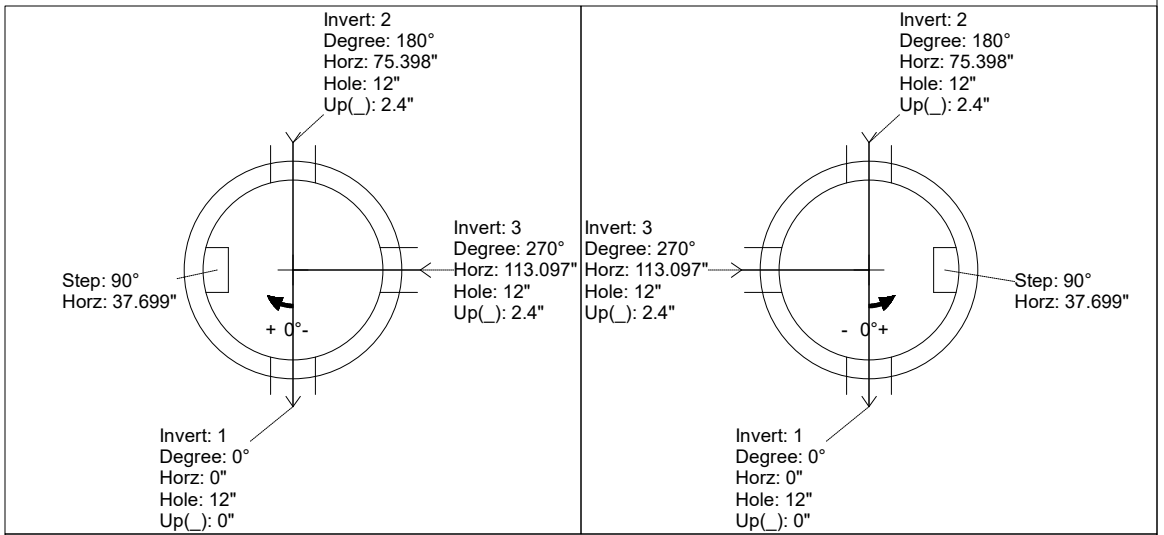
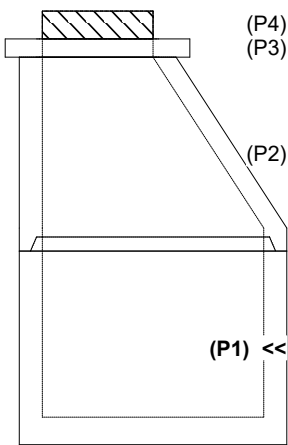
**INVERT CHANNEL DRAWING
 FULL HEIGHT INVERT**

Rim: 526.5' Rim to Invert: 7.2' Slack: 0.4" Sump: 2" Step Position: 90°

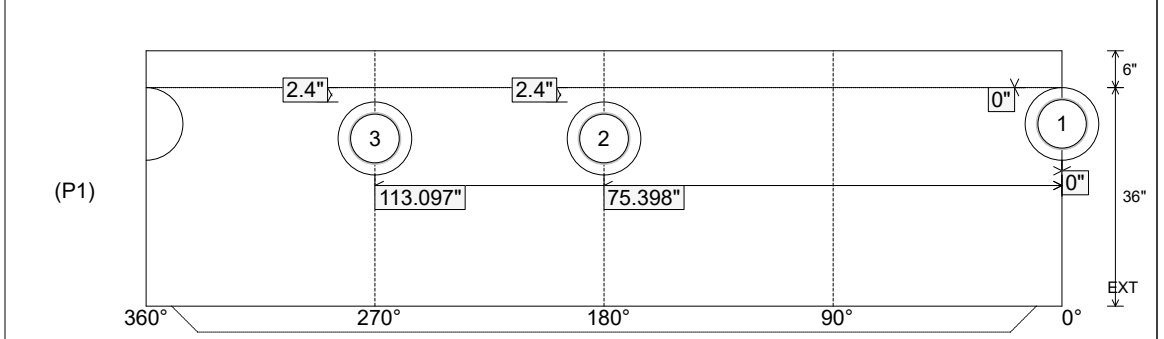
| Position | Elev | Angle | Ext. (cw) | Pipe | Pipe OD | Connector | Hole | Horz Size | Up () | Offset |
|----------|--------|-------|-----------|--------------|---------|----------------|------|-----------|--------|--------|
| Invert 1 | 519.3' | 0° | 0" | 8" PVC SDR35 | 8.5" | PSX 12-08 NYLO | 12" | 12.129" | 0" | 0" |
| Invert 2 | 519.5' | 180° | 91.106" | 8" PVC SDR35 | 8.5" | PSX 12-08 NYLO | 12" | 12.129" | 2.4" | 0" |
| Invert 3 | 519.5' | 270° | 136.659" | 8" PVC SDR35 | 8.5" | PSX 12-08 NYLO | 12" | 12.129" | 2.4" | 0" |
| Invert 4 | | | | | | | | | | |
| Invert 5 | | | | | | | | | | |
| Invert 6 | | | | | | | | | | |
| Invert 7 | | | | | | | | | | |
| Invert 8 | | | | | | | | | | |

RIGHT-SIDE UP VIEW (int. dimensions)

UPSIDE-DOWN VIEW (int. dimensions)



INSIDE WALL DIMENSIONS



| | | | | |
|----------------------------------|---------------------------------|--|--|--|
| Coating (Int): Coating (Ext): | Seam Up: Tongue Seam Dn: n/a | Wall Thickness: 5" Floor Height: 6" | Height (Int): 36" Height (Ext): 42" | Weight (Net): 3701 lb Volume (Net): 0.94cu.yd |
|----------------------------------|---------------------------------|--|--|--|