

Job Name: 24-3781 Anderson Park At Indian Lake	Plant: Beaver Dam	Tech: J. Coppage	
Job Location: Hendersonville, TN	10/13/2025 7:42:26 AM	PC: A. Chambers	
Contractor: Apex			

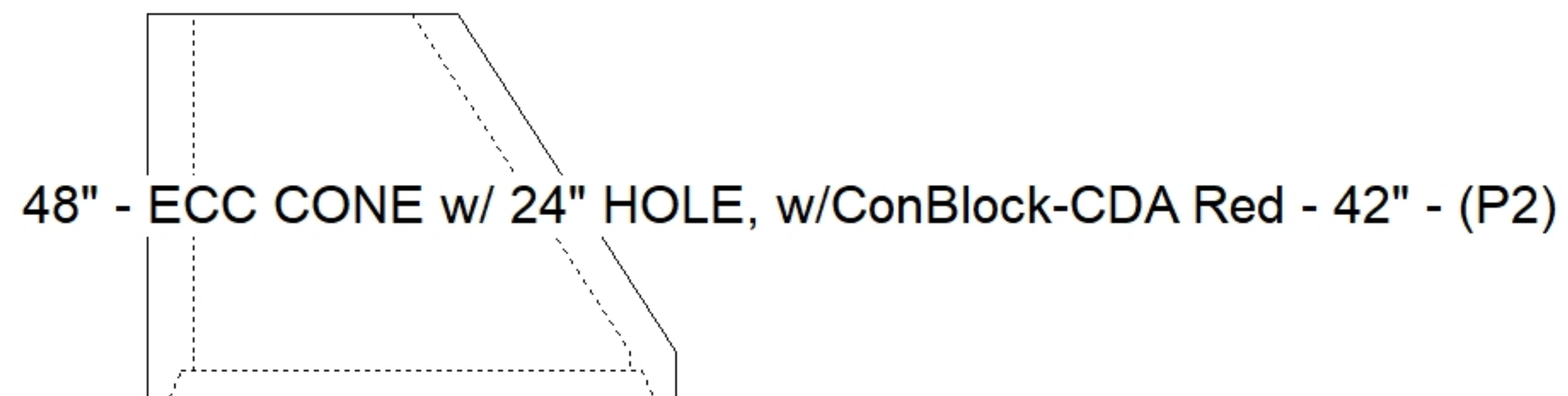
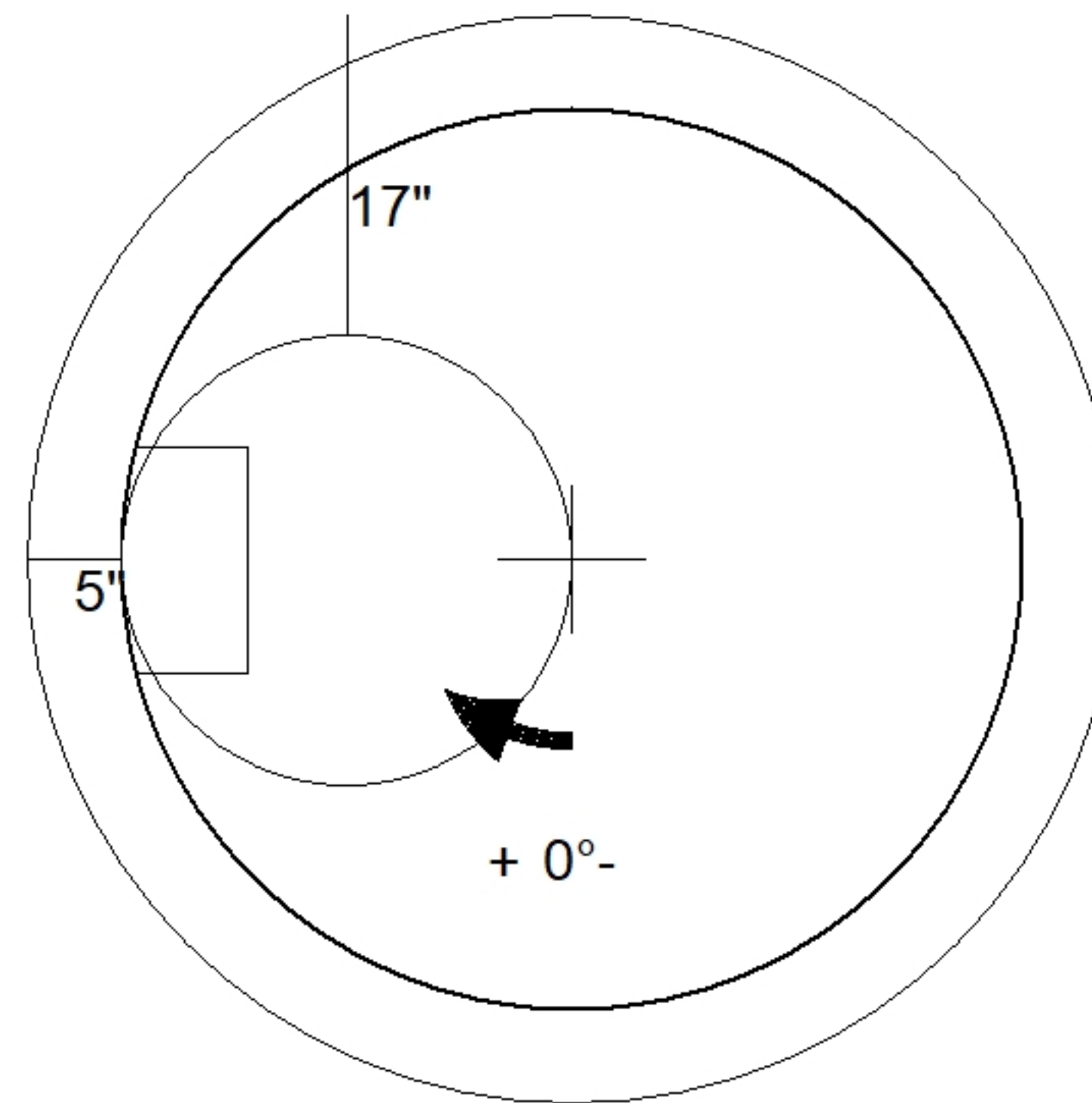
Structure ID: MH B7

P2 MH048CN42CDARED

ECC CONE w/ 24" HOLE, w/ConBlock-CDA Red

P4) 24" - CASTING HEIGHT - 6"	0 lb
P3) 24" - GRADE RING w/ConBlock-CDA Red - 3"	202 lb
P2) 48" - ECC CONE w/ 24" HOLE, w/ConBlock-CDA Red - 42"	3116 lb
P1) 48" - MH BASE w/ConBlock-CDA Red - 36"	3749 lb
1) 48" - MH INVERT CHANNEL w/ConBlock-CDA Red - FULL HEIGHT	1440 lb
1) JOINT WRAP - 0.065"x6"x50' CONSEAL CS212	0 lb
1) JOINT WRAP PRIMER - CONSEAL CS-75 (1 gal.)	0 lb
1) CASTING - JBS 1155 F/C SANITARY	250 lb
1) 48" - Conseal CS-102 1.00" (Double)	0 lb
2) PSX - 12-08 NYLO	16 lb
7) MH Step ML-10-TDS-NCR - 10"	0 lb
Structure Total:	8774 lb

- Structure Notes:
1. JBS-1150 SANITARY PROVIDED BY ICAST.
 2. PER ASTM C478 SPECIFICATIONS.
 3. CONCRETE = 4,000 PSI AT 28 DAYS.
 4. ADMIXTURE = CONBLOCK CDA RED.
 5. REINFORCING PER ASTM A615 (GRADE 60).
 - CONE (As .12)
 - RISER/WALLS (As .12)
 - FLOOR (As .31) #5 BARS AT 12" C.C.E.W.



Coating (Int):	Seam Up: Flat	Wall Thickness: 5"	Height (Ext): 42"	Weight (Net): 3116 lb
Coating (Ext):	Seam Dn: Groove			Volume (Net): 0.8cu.yd