

**Job Name: 24-3781 Anderson Park At Indian Lake**  
**Job Location: Hendersonville, TN**  
**Contractor: Apex**

PC: A. Chambers  
 TECH: J. Coppage  
 Plant: Beaver Dam



Structure ID: 90  
 Spec: KO BOXES  
 Type: BX 6inW, 6inF  
 Size: 30" x 30"

Rim: 0'  
 Invert: 0'  
 Rim to Invert: 0'

Sump: 48"  
 Floor (Top): -4'  
 Floor Height: 6"

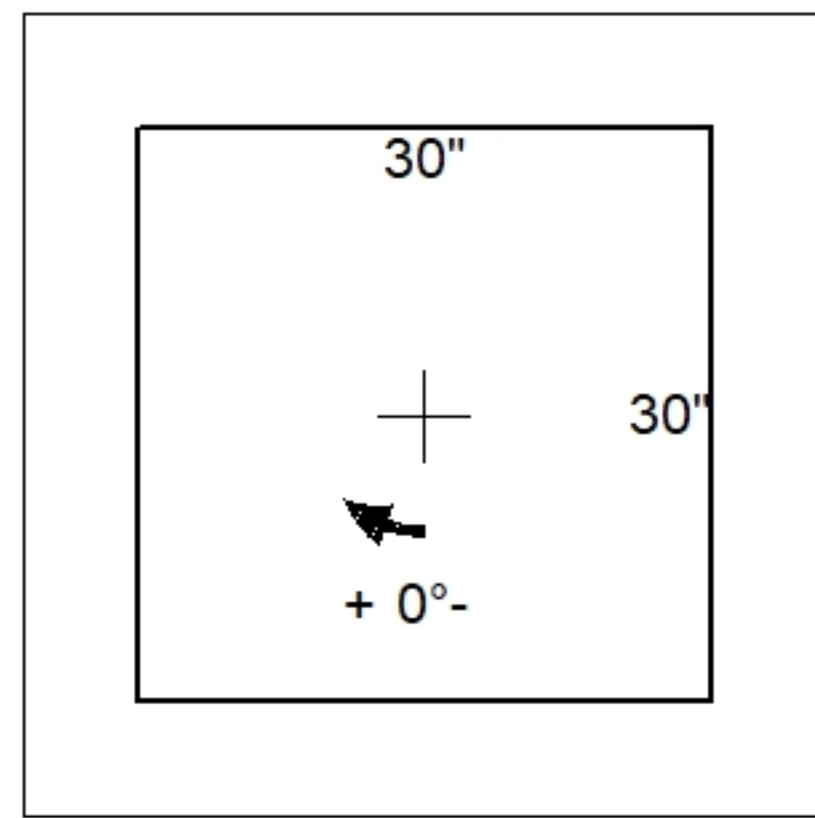
Floor (Bot): -4.5'  
 Overall Height: 4.5'  
 Slack: 0"

Structure Notes:

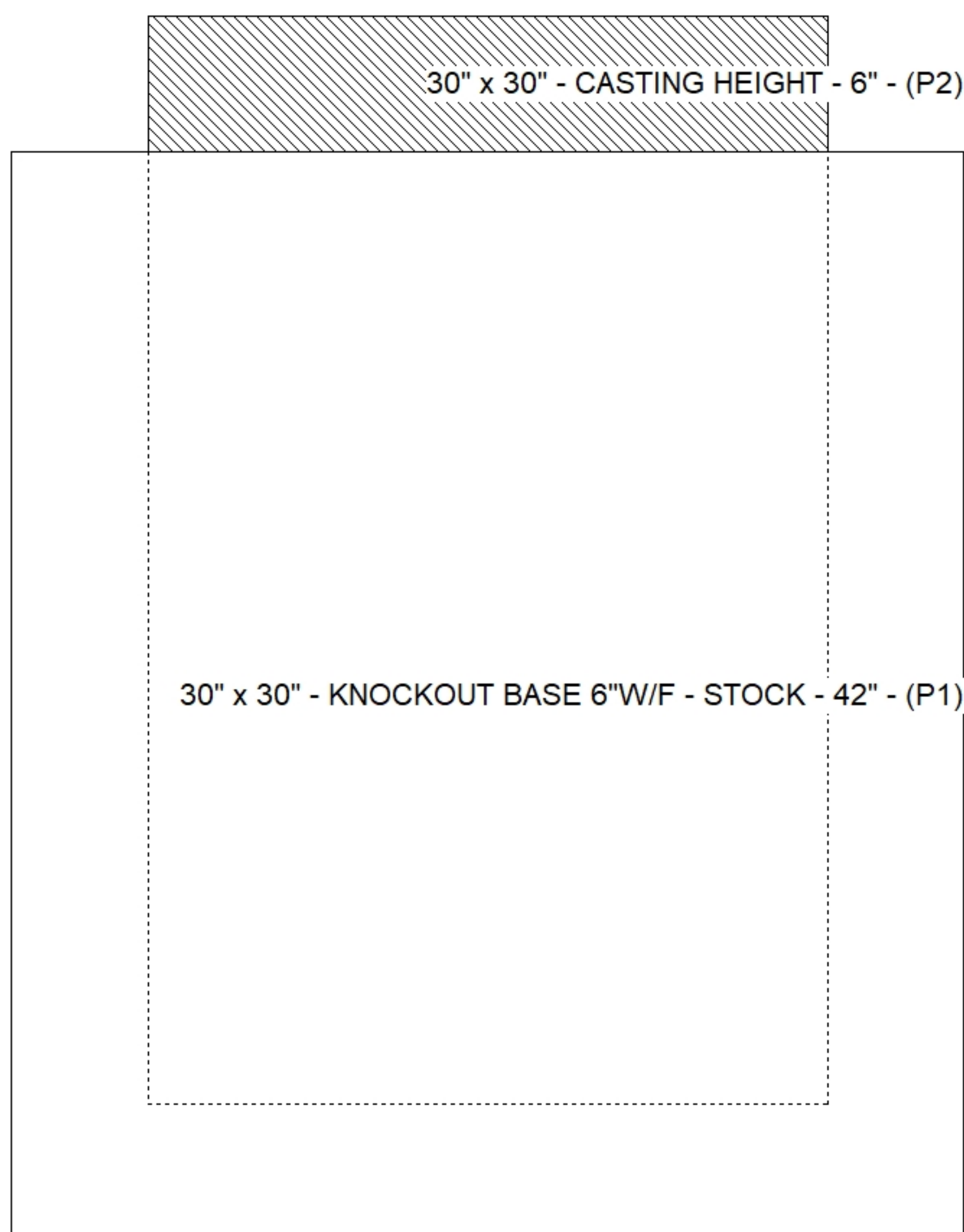
1. PER ASTM C913 SPECIFICATIONS.
2. CONCRETE = 4,000 PSI AT 28 DAYS.
3. NO INVERT CHANNEL.
4. REINFORCING PER ASTM A615 (GRADE 60).
  - TOP SLAB (As .62) #5 BARS AT 6" C.C.E.W.
  - WALLS (As .12) #5 BARS AT 12" C.C.E.W.
  - FLOOR (As .12) #5 BARS AT 12" C.C.E.W.

STRUCTURE SUMMARY:

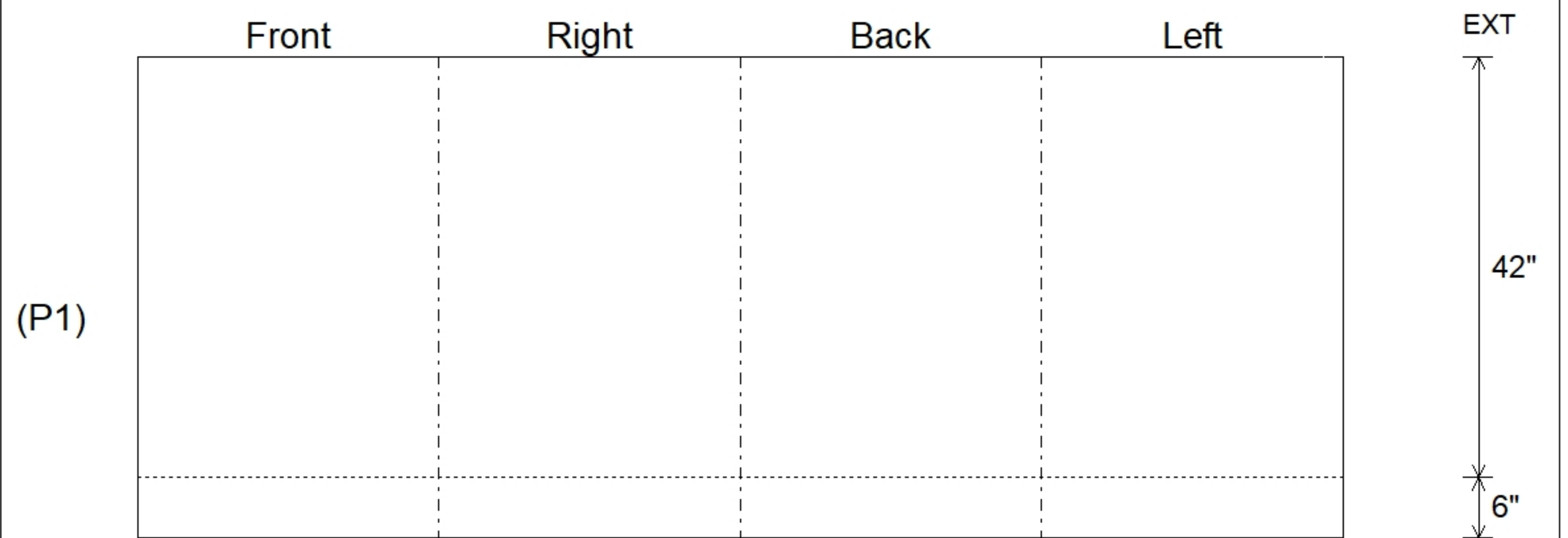
P2) 30" x 30" - CASTING HEIGHT - 6" 0 lb  
 P1) 30" x 30" - KNOCKOUT BASE 6"W/F - STOCK - 42" 2564 lb  
 1) CASTING - JBS 3101 Single Set (F/G/H) 619 lb  
 1) 30" x 30" - Conseal CS-102 1.00" 0 lb  
 Structure Total: 3183 lb



Position	Elev	Angle	Pipe	Pipe OD	Hole	Connector	Up ( )	Ref
Rim	0'							
Reducer								
Invert 1								
Invert 2								
Invert 3								
Invert 4								
Invert 5								
Invert 6								
Invert 7								
Invert 8								



**Default - Interior Dimensions**



Submittal Drawing  
 10/23/2025 10:26:32 AM

SUBMITTAL  
 APPROVED BY: