

Job Name: 24-3539 - Larkin Springs Townhomes  
 Job Location: Nashville, TN  
 Contractor: Apex Earthworks, LLC

Plant: 100  
 2/25/2026 10:09:06 AM

Tech: J. Horsley - F  
 PC: A. Chambers



**Structure ID: D4**

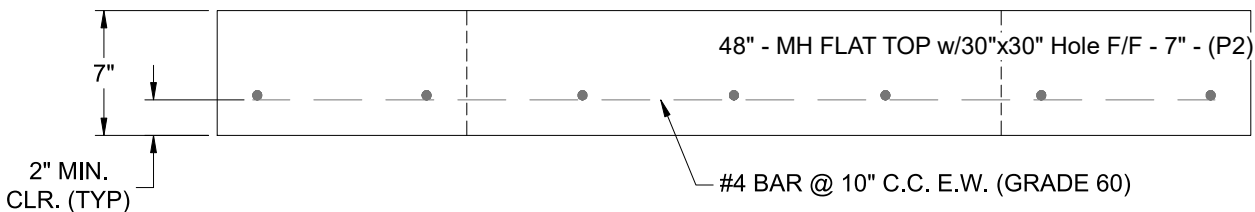
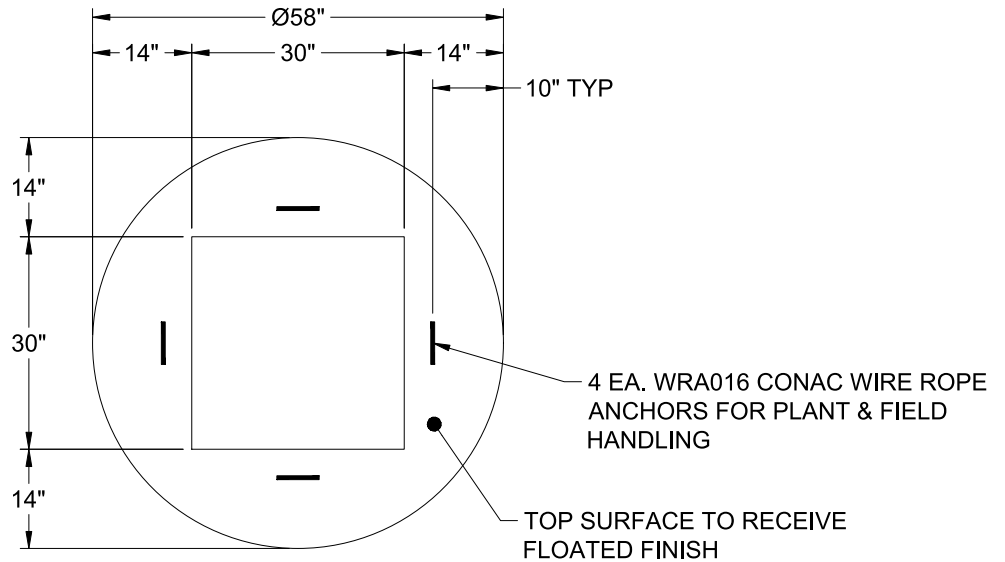
**P2 MH048LD07S**

**MH FLAT TOP w/30"x30" Hole F/F**

- P3) 30" x 30" - CASTING HEIGHT - 7.50"
- P2) 48" - MH FLAT TOP w/30"x30" Hole F/F - 7"
- P1) 48" - MH BASE Custom Ht F/n - 40"
- 1) CASTING - JBS 3300 F/G/H - Single Curb Inlet
- 1) 48" - Conseal CS-102 1.00"
- 1) 30" x 30" - Conseal CS-102 1.00"
- 2) Hole - 26
- 3) MH Step ML-10-TDS-NCR - 10"

	0 lb
	1264 lb
	3658 lb
	250 lb
	0 lb
	0 lb
	0 lb
	0 lb
Structure Total:	5172 lb

- Structure Notes:**
1. PER ASTM C-478 SPECIFICATIONS
  2. CONCRETE: 4,000 PSI AT 28 DAYS
  3. REINFORCEMENT: #4 BAR @ 10" C.C. E.W. (GRADE 60) - 2" MIN. REBAR CLEARANCE (TYP)
  4. JBS 3300 FRAME, GRATE, & CURB HOOD SUPPLIED BY ICAST
  5. LIFTERS: 4 EA. WRA016 CONAC WIRE ROPE ANCHORS FOR PLANT & FIELD HANDLING
  6. TOP SURFACE TO RECEIVE FLOATED FINISH



Coating (Int): Coating (Ext):	Seam Up: Flat Seam Dn: Flat	Wall Thickness: 5"	Height (Ext): 7"	Weight (Net): 1264 lb Volume (Net): 0.31cu.yd
----------------------------------	--------------------------------	--------------------	------------------	--