

Job Name: 24-3539 - Larkin Springs Townhomes
Job Location: Nashville, TN
Contractor: Apex Earthworks, LLC

PC: A. Chambers
 TECH: J. Horsley - F
 Plant: 100



Structure ID: **D3**
 Spec: Storm
 Type: BX 6inW, 6inF
 Size: 28" x 64"

Rim: 529.9'
 Invert: 523.72'
 Rim to Invert: 6.18'

Sump: 2.5"
 Floor (Top): 523.512'
 Floor Height: 6"

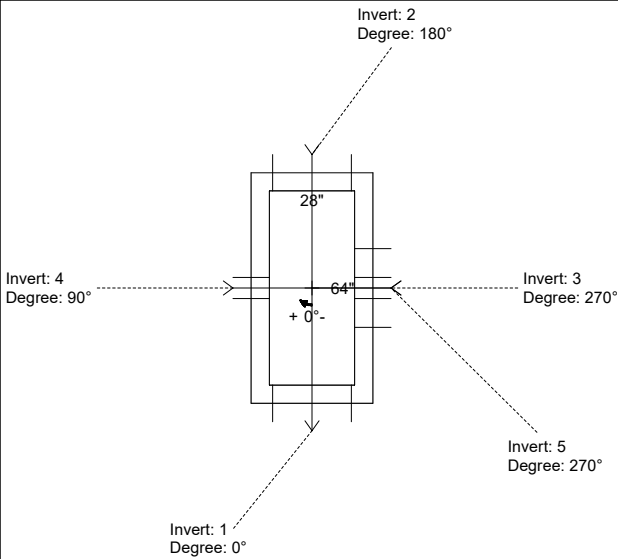
Floor (Bot): 523.012'
 Overall Height: 6.792'
 Slack: 1.16"

Structure Notes:

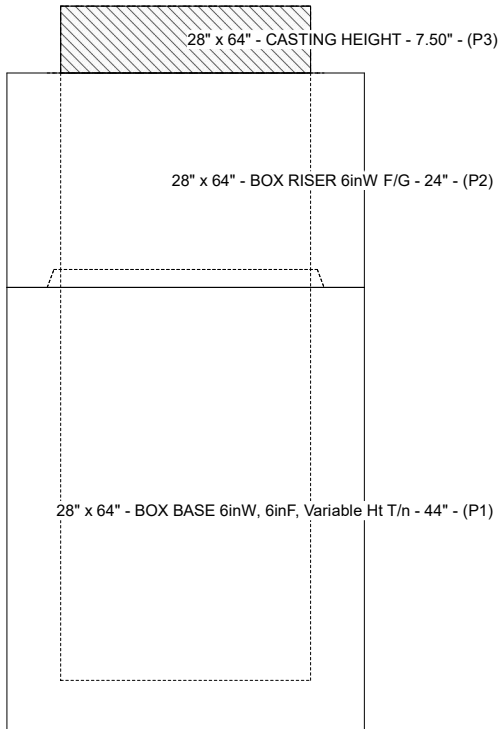
1. PER ASTM C-913 SPECIFICATIONS
2. CONCRETE: 4,000 PSI AT 28 DAYS
3. REINFORCEMENT: #5 BAR @ 12" C.C. E.W. (GRADE 60)
4. NO STORM INVERT
5. NO STEPS
6. 2 EA. JBS 3300 FRAMES, GRATES, & CURB HOODS SUPPLIED BY ICAST
7. LINTEL BAR SLOTS CENTERED IN EACH LONG WALL REQUIRED (7" LONG X 1" DEEP X FULL WIDTH OF WALL)

STRUCTURE SUMMARY:

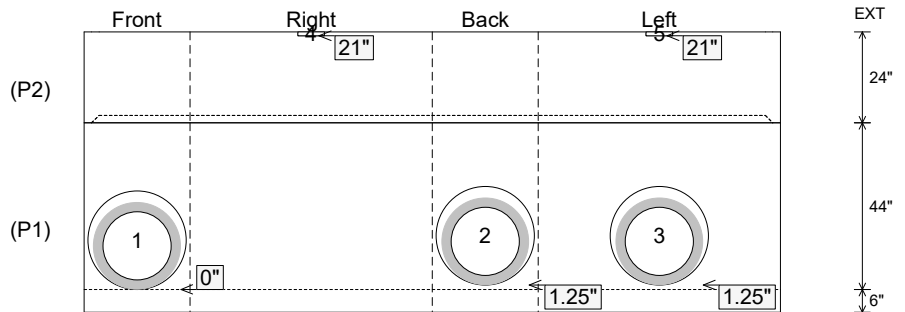
- P3) 28" x 64" - CASTING HEIGHT - 7.50" 0 lb
 P2) 28" x 64" - BOX RISER 6inW F/G - 24" 2506 lb
 P1) 28" x 64" - BOX BASE 6inW, 6inF, Variable Ht T/n - 44" 5336 lb
 1) CASTING - JBS 3300 F/G/H - Double Curb Inlet 500 lb
 2) 28" x 64" - Conseal CS-102 1.00" 0 lb
 3) Hole - 26 0 lb
 2) LINTEL BAR SLOT n/n - 7"x1" 0 lb
- Structure Total: 8343 lb



Position	Elev	Angle	Pipe	Pipe OD	Hole	Connector	Up (L)	Ref
Rim	529.9'							
Reducer								
Invert 1	523.72'	0°	18" RCP B WALL	23"	26"	Hole 26	0"	P1
Invert 2	523.82'	180°	18" RCP B WALL	23"	26"	Hole 26	1.25"	P1
Invert 3	523.82'	270°	18" RCP B WALL	23"	26"	Hole 26	1.25"	P1
Invert 4	529.095'	90°	7" x 1" LINTEL BAR SLOT	7" x 1"	7" x 1"	LINTEL BAR SLOT 7"x1"	21"	P2
Invert 5	529.095'	270°	7" x 1" LINTEL BAR SLOT	7" x 1"	7" x 1"	LINTEL BAR SLOT 7"x1"	21"	P2
Invert 6								
Invert 7								
Invert 8								



Cast (Int. Dim.) - Interior Dimensions



Submittal Drawing
 2/24/2026 2:09:06 PM

SUBMITTAL
 APPROVED BY: