



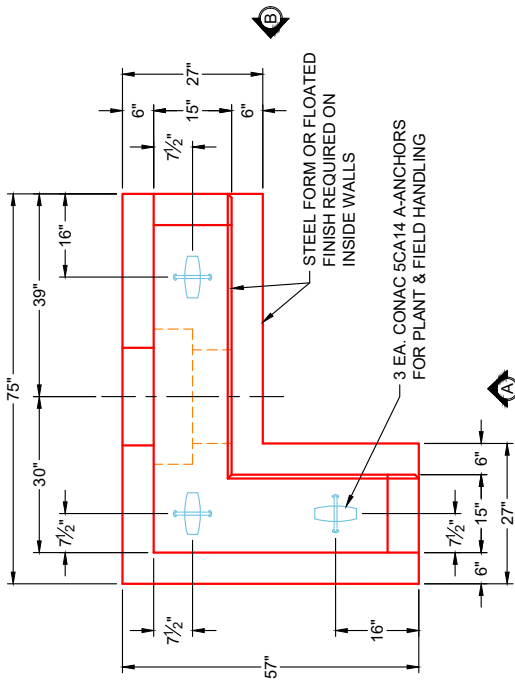
Structure ID: D1A

P1 HWKYTC-STDELL18

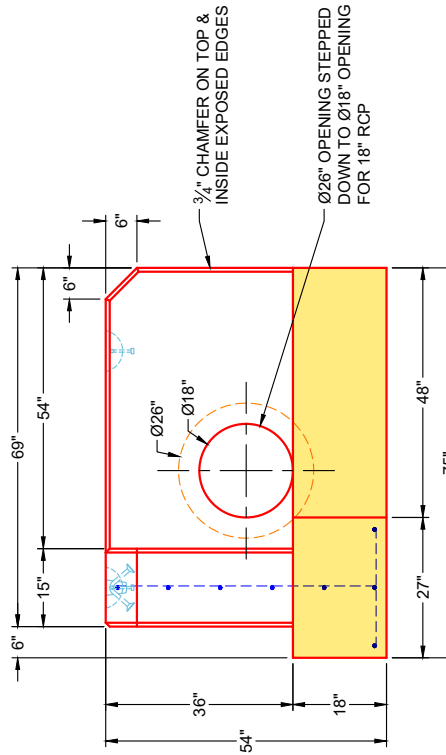
18" - STANDARD ELL HEADWALL F/F

GENERAL NOTES:

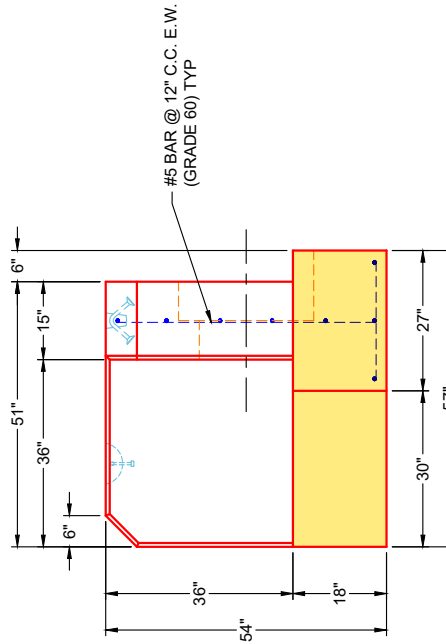
1. CONCRETE: KYTC APPROVED
2. REINFORCEMENT: #5 BAR @ 12" C.C. E.W. (GRADE 60) - 2" MIN. REBAR CLEARANCE (TYP)
3. REINFORCING BARS TO BE TACK WELDED OR TIED
4. DRAWING TO BE USED IN CONJUNCTION WITH KYTC STD. DRAWING RDH-005-02 & THE STANDARD SPECIFICATIONS FOR ROAD & BRIDGE CONSTRUCTION
5. 3/4" CHAMFER ON TOP & INSIDE EXPOSED EDGES
6. WEIGHT: 8,475 LBS
 - FIRST POUR: 4,225 LBS
 - SECOND POUR: 4,250 LBS



**PLAN VIEW
(RIGHT SIDE UP)**

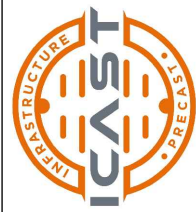


**VIEW A
(RIGHT SIDE UP)**



**VIEW B
(RIGHT SIDE UP)**

<p>PRODUCTION WORK ORDER</p> <p>QUALITY CONTROL CHECKLIST</p> <p><input type="checkbox"/> ALL DIMENSIONS CORRECT.</p> <p><input type="checkbox"/> LIFTERS INSTALLED.</p> <p><input type="checkbox"/> OPENING CENTERED.</p> <p><input type="checkbox"/> REINFORCING CORRECT.</p> <p><input type="checkbox"/> SURFACE QUALITY ACCEPTABLE.</p> <p><input type="checkbox"/> EDGES CHAMFERED.</p> <p><input type="checkbox"/> ALL PATCHWORK ACCEPTABLE.</p>	<p>PRODUCT I.D.: HWKYTC-STDELL18</p> <p>PRODUCT VIEW: RIGHT SIDE UP</p> <p>PLANT: BEAVER DAM, KY</p> <p>WEIGHT: 8,475 LBS</p> <p>TOP SECTION JOINT: N/A</p> <p>BASE SECTION JOINT: N/A</p> <p>QC CHECK INITIALS:</p>	<p>DESCRIPTION: 18" KYTC STANDARD ELL HW</p> <p>CUSTOMER: APEX EARTHWORKS, LLC</p> <p>PROJECT: LARKIN SPRINGS TOWNHOMES</p> <p>STRUCTURE: D1A</p> <p>ORDER NO: 24-3539</p> <p>PE: J.H. ROSS</p> <p>DATE: 02/25/26</p> <p>SCALE: NTS</p> <p>PG. 1 OF 1</p>
	<p>THIS DRAWING IS THE PROPERTY OF INFRASTRUCTURE PRECAST, INC. ANY USE OR DUPLICATION OF THIS DRAWING WITHOUT PRIOR AUTHORIZATION IS STRICTLY PROHIBITED.</p>	





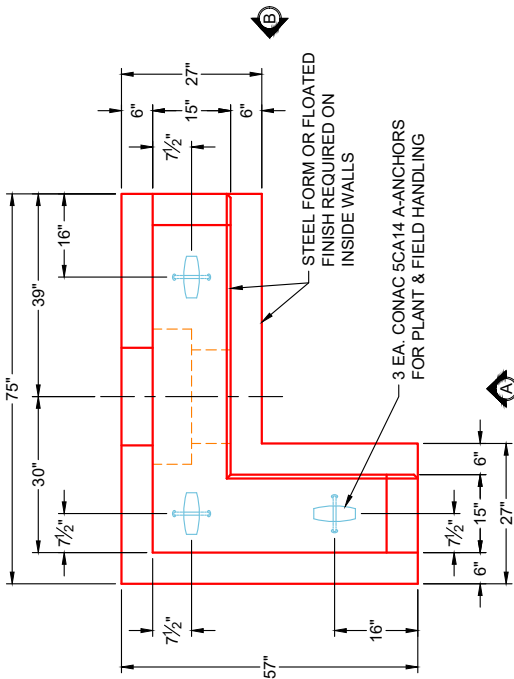
Structure ID: D1A

P1 HWKYTC-STDELL18

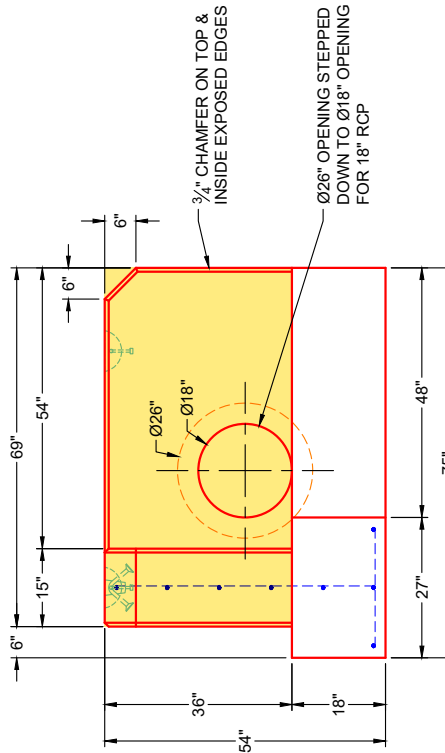
18" - STANDARD ELL HEADWALL F/F

GENERAL NOTES:

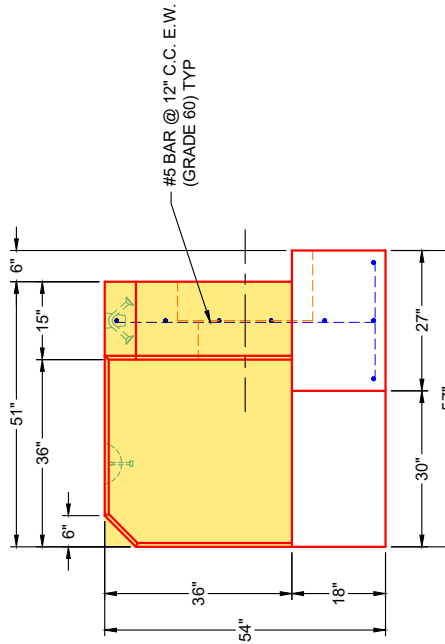
1. CONCRETE: KYTC APPROVED
2. REINFORCEMENT: #5 BAR @ 12" C.C. E.W. (GRADE 60) - 2" MIN. REBAR CLEARANCE (TYP)
3. REINFORCING BARS TO BE TACK WELDED OR TIED
4. DRAWING TO BE USED IN CONJUNCTION WITH KYTC STD. DRAWING RDH-005-02 & THE STANDARD SPECIFICATIONS FOR ROAD & BRIDGE CONSTRUCTION
5. 3/4" CHAMFER ON TOP & INSIDE EXPOSED EDGES
6. WEIGHT: 8,475 LBS
 - FIRST POUR: 4,225 LBS
 - SECOND POUR: 4,250 LBS



**PLAN VIEW
(RIGHT SIDE UP)**



**VIEW A
(RIGHT SIDE UP)**



**VIEW B
(RIGHT SIDE UP)**

PRODUCTION WORK ORDER		PRODUCT I.D.: HWKYTC-STDELL18	
QUALITY CONTROL CHECKLIST		DESCRIPTION: 18" KYTC STANDARD ELL HW	
<input type="checkbox"/> ALL DIMENSIONS CORRECT. <input type="checkbox"/> LIFTERS INSTALLED. <input type="checkbox"/> OPENING CENTERED. <input type="checkbox"/> REINFORCING CORRECT. <input type="checkbox"/> SURFACE QUALITY ACCEPTABLE. <input type="checkbox"/> EDGES CHAMFERED. <input type="checkbox"/> ALL PATCHWORK ACCEPTABLE.		CUSTOMER: APEX EARTHWORKS, LLC	
<input type="checkbox"/> ALL DIMENSIONS CORRECT. <input type="checkbox"/> LIFTERS INSTALLED. <input type="checkbox"/> OPENING CENTERED. <input type="checkbox"/> REINFORCING CORRECT. <input type="checkbox"/> SURFACE QUALITY ACCEPTABLE. <input type="checkbox"/> EDGES CHAMFERED. <input type="checkbox"/> ALL PATCHWORK ACCEPTABLE.		PROJECT: LARKIN SPRINGS TOWNHOMES	
<input type="checkbox"/> ALL DIMENSIONS CORRECT. <input type="checkbox"/> LIFTERS INSTALLED. <input type="checkbox"/> OPENING CENTERED. <input type="checkbox"/> REINFORCING CORRECT. <input type="checkbox"/> SURFACE QUALITY ACCEPTABLE. <input type="checkbox"/> EDGES CHAMFERED. <input type="checkbox"/> ALL PATCHWORK ACCEPTABLE.		STRUCTURE: D1A	
<input type="checkbox"/> ALL DIMENSIONS CORRECT. <input type="checkbox"/> LIFTERS INSTALLED. <input type="checkbox"/> OPENING CENTERED. <input type="checkbox"/> REINFORCING CORRECT. <input type="checkbox"/> SURFACE QUALITY ACCEPTABLE. <input type="checkbox"/> EDGES CHAMFERED. <input type="checkbox"/> ALL PATCHWORK ACCEPTABLE.		ORDER NO: 24-3539	
<input type="checkbox"/> ALL DIMENSIONS CORRECT. <input type="checkbox"/> LIFTERS INSTALLED. <input type="checkbox"/> OPENING CENTERED. <input type="checkbox"/> REINFORCING CORRECT. <input type="checkbox"/> SURFACE QUALITY ACCEPTABLE. <input type="checkbox"/> EDGES CHAMFERED. <input type="checkbox"/> ALL PATCHWORK ACCEPTABLE.		PE: J.H. ROSS	
<input type="checkbox"/> ALL DIMENSIONS CORRECT. <input type="checkbox"/> LIFTERS INSTALLED. <input type="checkbox"/> OPENING CENTERED. <input type="checkbox"/> REINFORCING CORRECT. <input type="checkbox"/> SURFACE QUALITY ACCEPTABLE. <input type="checkbox"/> EDGES CHAMFERED. <input type="checkbox"/> ALL PATCHWORK ACCEPTABLE.		DRAWING: K. CARDWELL	
<input type="checkbox"/> ALL DIMENSIONS CORRECT. <input type="checkbox"/> LIFTERS INSTALLED. <input type="checkbox"/> OPENING CENTERED. <input type="checkbox"/> REINFORCING CORRECT. <input type="checkbox"/> SURFACE QUALITY ACCEPTABLE. <input type="checkbox"/> EDGES CHAMFERED. <input type="checkbox"/> ALL PATCHWORK ACCEPTABLE.		DATE: 02/25/26	
<input type="checkbox"/> ALL DIMENSIONS CORRECT. <input type="checkbox"/> LIFTERS INSTALLED. <input type="checkbox"/> OPENING CENTERED. <input type="checkbox"/> REINFORCING CORRECT. <input type="checkbox"/> SURFACE QUALITY ACCEPTABLE. <input type="checkbox"/> EDGES CHAMFERED. <input type="checkbox"/> ALL PATCHWORK ACCEPTABLE.		SCALE: NTS	
<input type="checkbox"/> ALL DIMENSIONS CORRECT. <input type="checkbox"/> LIFTERS INSTALLED. <input type="checkbox"/> OPENING CENTERED. <input type="checkbox"/> REINFORCING CORRECT. <input type="checkbox"/> SURFACE QUALITY ACCEPTABLE. <input type="checkbox"/> EDGES CHAMFERED. <input type="checkbox"/> ALL PATCHWORK ACCEPTABLE.		PG. 1 OF 1	

