

Job Name: 24-3539 - Larkin Springs Townhomes  
 Job Location: Nashville, TN  
 Contractor: Apex Earthworks, LLC

Plant: 100  
 2/25/2026 10:09:10 AM

Tech: J. Horsley - F  
 PC: A. Chambers



**Structure ID: D16**

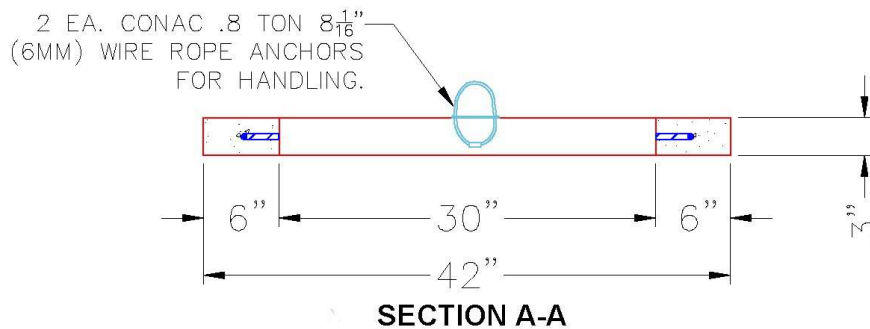
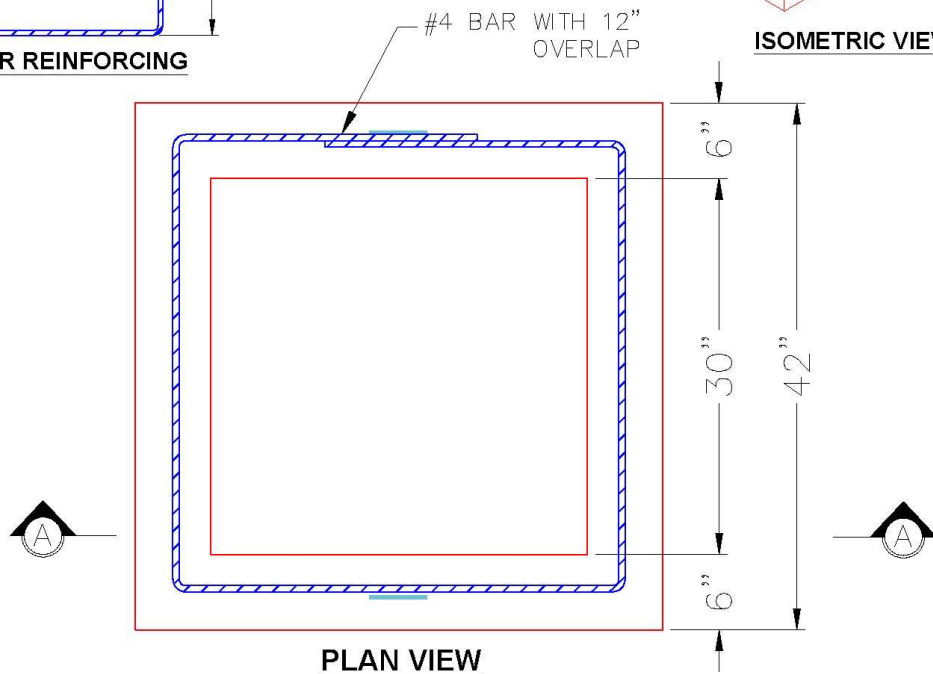
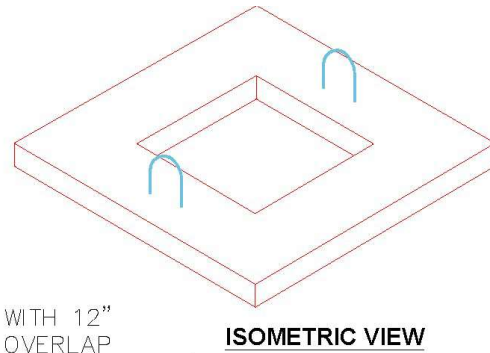
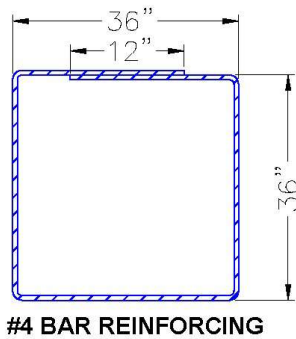
**P3 GR30x30x6x3**

**GRADE RING F/F**

- P4) 30" x 30" - CASTING HEIGHT - 7.50"
- P3) 30" x 30" - GRADE RING F/F - 3"
- P2) 48" - MH FLAT TOP w/30"x30" Hole F/G - 12"
- P1) 48" - MH BASE T/n - 48"
- 1) CASTING - JBS 3300 F/G/H - Single Curb Inlet
- 1) 48" - Conseal CS-102 1.00"
- 2) 30" x 30" - Conseal CS-102 1.00"
- 2) Hole - 24
- 4) MH Step ML-10-TDS-NCR - 10"

0 lb  
 218 lb  
 1350 lb  
 4289 lb  
 250 lb  
 0 lb  
 0 lb  
 0 lb  
 0 lb  
 -----  
 Structure Total: 6106 lb

- Structure Notes:**
1. PER ASTM C-913 SPECIFICATIONS
  2. CONCRETE: 4,000 PSI AT 28 DAYS
  3. REINFORCEMENT: #4 BAR AS SHOWN (GRADE 60)



Coating (Int): Coating (Ext):	Seam Up: Flat Seam Dn: Flat	Wall Thickness: 6"	Height (Ext): 3"	Weight (Net): 217 lb Volume (Net): 0.06cu.yd
----------------------------------	--------------------------------	--------------------	------------------	---