

Job Name: 24-3539 - Larkin Springs Townhomes
 Job Location: Nashville, TN
 Contractor: Apex Earthworks, LLC

Plant: 100

2/25/2026 10:08:03 AM

Tech: J. Horsley - F

PC: A. Chambers



Structure ID: D13

P1 BX24240606VF

BOX BASE 6inW, 6inF, Variable Ht F/n

- P2) 24" x 24" - BX FLAT LID 6inW SOLID F/F - 6"
- P1) 24" x 24" - BOX BASE 6inW, 6inF, Variable Ht F/n - 36"
- 1) 24" x 24" - Conseal CS-102 1.00"
- 1) Hole - 24"
- 4) Weir n/n - 24"x6"

652 lb
 2355 lb
 0 lb
 0 lb
 0 lb
 Structure Total: 3007 lb

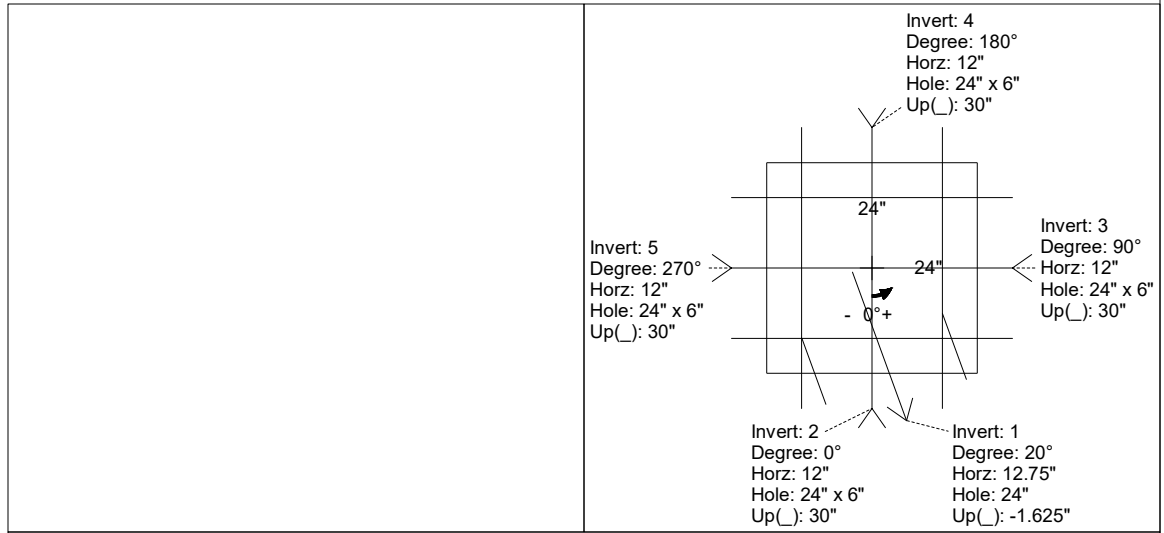
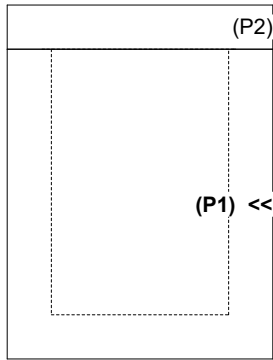
- Structure Notes:
1. PER ASTM C-913 SPECIFICATIONS
 2. CONCRETE: 4,000 PSI AT 28 DAYS
 3. REINFORCEMENT: #5 BAR @ 12" C.C. E.W. (GRADE 60) - 2" MIN. REBAR CLEARANCE (TYP)
 4. NO STORM INVERT
 5. NO STEPS
 6. NO CASTING - SOLID TOP

Rim: 547.9' Rim to Invert: 3.5' Slack: 0" Sump: 0" Step Position:

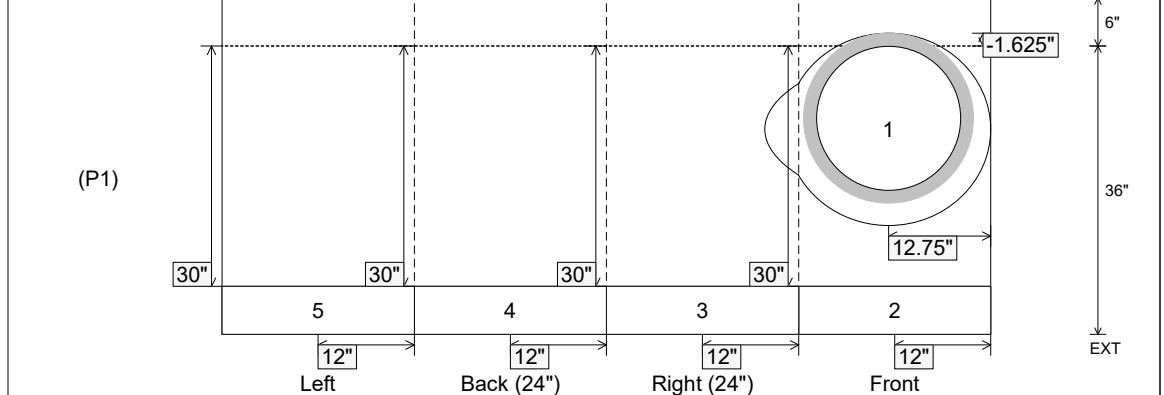
Position	Elev	Angle	Ext. (cw)	Pipe	Pipe OD	Connector	Hole	Horz Size	Up ()	Offset
Invert 1	544.4'	20°	21"	18" HDPE	21.2"	Hole 24	24"	23.994", 4.248"	-1.625"	-3.375"
Invert 2	546.9'	0°	18"	24" x 6" Weir	24" x 6"	Weir 24"x6"	24" x 6"	24"	30"	0"
Invert 3	546.9'	90°	18"	24" x 6" Weir	24" x 6"	Weir 24"x6"	24" x 6"	24"	30"	0"
Invert 4	546.9'	180°	18"	24" x 6" Weir	24" x 6"	Weir 24"x6"	24" x 6"	24"	30"	0"
Invert 5	546.9'	270°	18"	24" x 6" Weir	24" x 6"	Weir 24"x6"	24" x 6"	24"	30"	0"
Invert 6										
Invert 7										
Invert 8										

RIGHT-SIDE UP VIEW (int. dimensions)

UPSIDE-DOWN VIEW (int. dimensions)



INSIDE WALL DIMENSIONS



Coating (Int): Coating (Ext):	Seam Up: Flat Seam Dn: n/a	Wall Thickness: 6" Floor Height: 6"	Height (Int): 36" Height (Ext): 42"	Weight (Net): 2355 lb Volume (Net): 0.6cu.yd
----------------------------------	-------------------------------	--	--	---