

**Structure ID: D1**

**P1 BX28640606-VH**

**BOX BASE 6inW, 6inF, Variable Ht F/n**

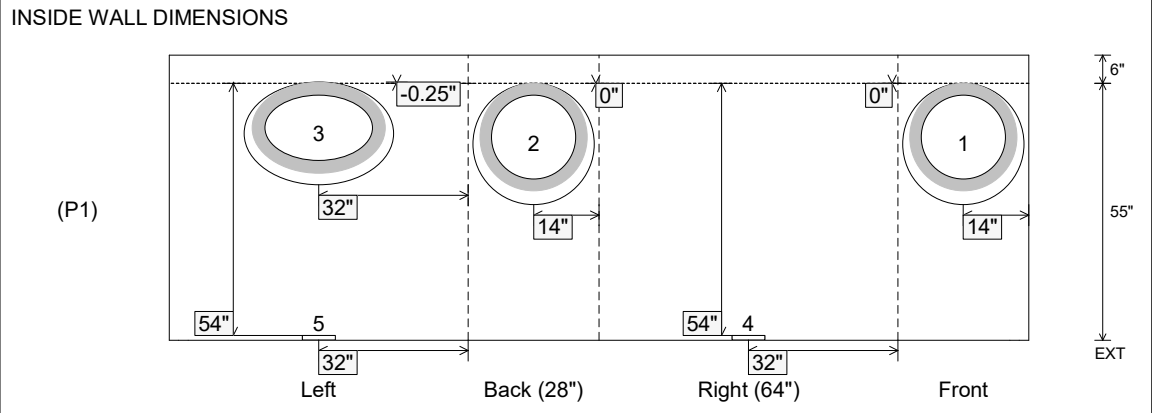
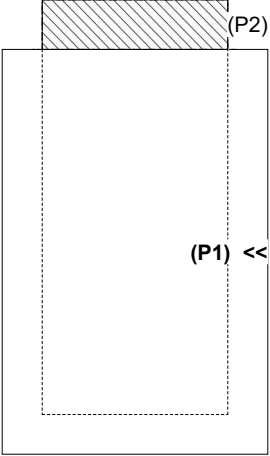
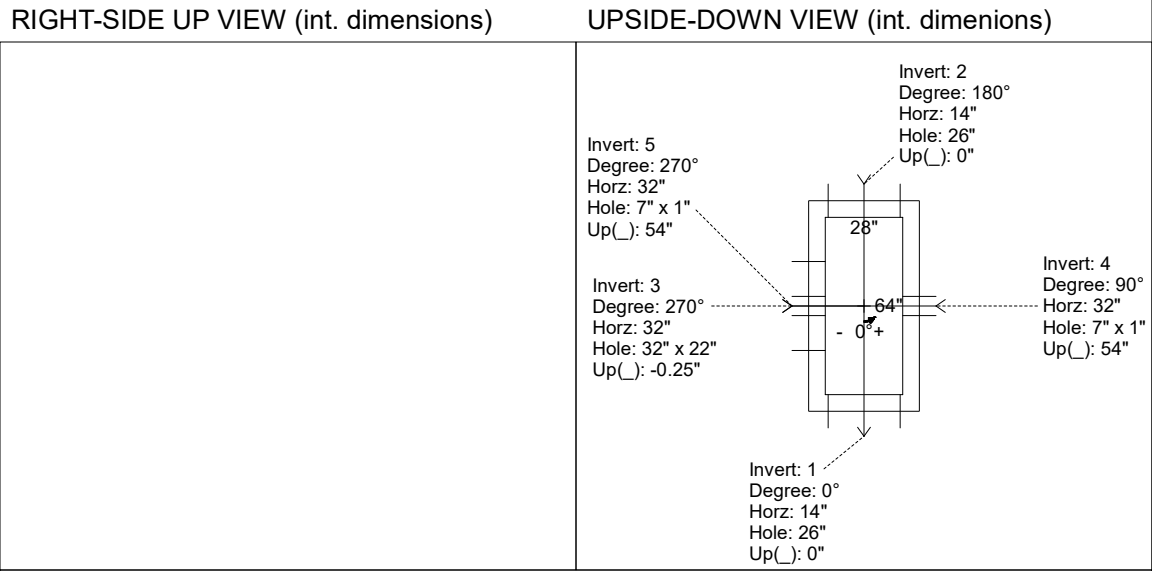
- P2) 28" x 64" - CASTING HEIGHT - 7.50"  
 P1) 28" x 64" - BOX BASE 6inW, 6inF, Variable Ht F/n - 55"  
 1) CASTING - JBS 3300 F/G/H - Double Curb Inlet  
 1) 28" x 64" - Conseal CS-102 1.00"  
 2) Hole - 26  
 1) Hole - 32 x 22  
 2) LINTEL BAR SLOT n/n - 7"x1"

- Structure Notes:**  
 1. PER ASTM C-913 SPECIFICATIONS  
 2. CONCRETE: 4,000 PSI AT 28 DAYS  
 3. REINFORCEMENT: #5 BAR @ 12" C.C. E.W. (GRADE 60) - 2" MIN. REBAR CLEARANCE (TYP)  
 4. NO STORM INVERT  
 5. NO STEPS  
 6. 2 EA. JBS 3300 FRAMES, GRATES, & CURB HOODS SUPPLIED BY ICAST  
 7. LINTEL BAR SLOTS CENTERED IN EACH LONG WALL REQUIRED (7" LONG X 1" DEEP X FULL WIDTH OF WALL)

Structure Total: 6970 lb

Rim: 518.15' Rim to Invert: 5.13' Slack: 1.56" Sump: 2.5" Step Position:

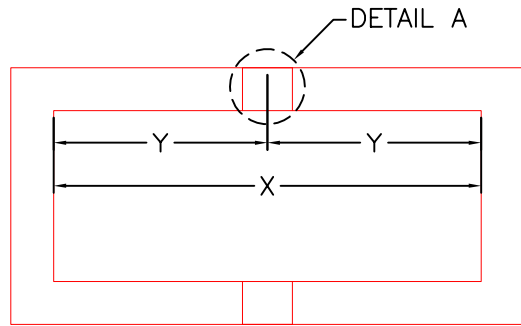
Position	Elev	Angle	Ext. (cw)	Pipe	Pipe OD	Connector	Hole	Horz Size	Up ( )	Offset
Invert 1	513.02'	0°	20"	18" RCP B WALL	23"	Hole 26	26"	26"	0"	0"
Invert 2	513.02'	180°	20"	18" RCP B WALL	23"	Hole 26	26"	26"	0"	0"
Invert 3	513.02'	270°	38"	23" x 14" ELL RCP	28.5" x 19.5"	Hole 32 x 22	32" x 22"	32"	-0.25"	0"
Invert 4	517.31'	90°	38"	7" x 1" LINTEL BAR SLOT	7" x 1"	LINTEL BAR SLOT 7"x1"	7" x 1"	7"	54"	0"
Invert 5	517.31'	270°	38"	7" x 1" LINTEL BAR SLOT	7" x 1"	LINTEL BAR SLOT 7"x1"	7" x 1"	7"	54"	0"
Invert 6										
Invert 7										
Invert 8										



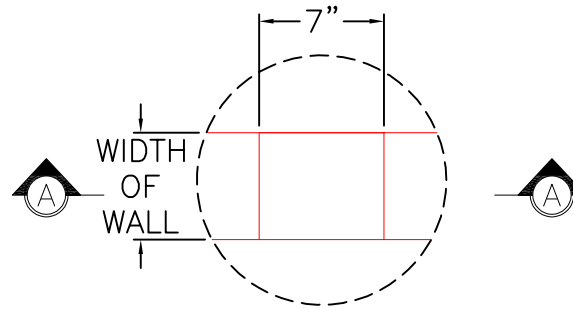
Coating (Int): Coating (Ext):	Seam Up: Flat Seam Dn: n/a	Wall Thickness: 6" Floor Height: 6"	Height (Int): 55" Height (Ext): 61"	Weight (Net): 6470 lb Volume (Net): 1.65cu.yd
----------------------------------	-------------------------------	--	--	--

**GENERAL NOTES:**

- RECESSES FOR LINTEL BARS TO BE 7" LONG X 1" DEEP X FULL WIDTH OF WALL.

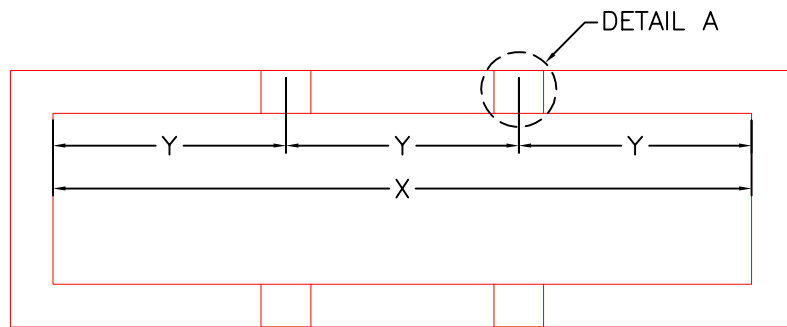


PLAN VIEW  
DOUBLE INLET

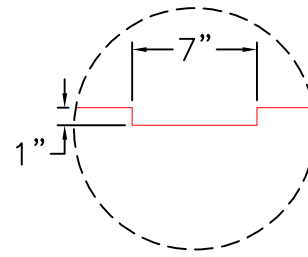


DETAIL A

X	Y
54"	27"
56"	28"
60"	30"
64"	32"
72"	36"



PLAN VIEW  
TRIPLE INLET



SECTION A-A

X	Y
96"	32"
98"	32 <sup>3</sup> / <sub>4</sub> "
108"	36"

**PRODUCTION WORK ORDER**

PRODUCT I.D.: -

DESCRIPTION: LINTEL BAR POCKET LOCATIONS



QUALITY CONTROL CHECKLIST

- ALL DIMENSIONS CORRECT.
- LIFTERS INSTALLED.
- OPENING CENTERED.
- REINFORCING CORRECT.
- SURFACE QUALITY ACCEPTABLE.
- EDGES CHAMFERED.
- ALL PATCHWORK ACCEPTABLE.

PRODUCT VIEW: RIGHT SIDE UP

CUSTOMER: N/A

PLANT: BEAVER DAM, KY.

PROJECT: N/A

WEIGHT: N/A.

STRUCTURE: N/A

TOP SECTION JOINT: N/A

ORDER NO: N/A

BASE SECTION JOINT: N/A

PE: J.H. ROSS

DRAWING: J. COPPAGE

QC CHECK INITIALS:

DATE: 3/6/24

SCALE: NTS

PG. 1 of 1