

**Job Name: 24-3539 - Larkin Springs Townhomes**  
**Job Location: Nashville, TN**  
**Contractor: Apex Earthworks, LLC**

PC: A. Chambers  
 TECH: J. Horsley - F  
 Plant: 100



Structure ID: 8  
 Spec: Sanitary  
 Type: SAN.MH w/ConBlock-CDA Red  
 Size: 48"

Rim: 552.07'  
 Invert: 541.66'  
 Rim to Invert: 10.41'

Sump: 2"  
 Floor (Top): 541.493'  
 Floor Height: 6"

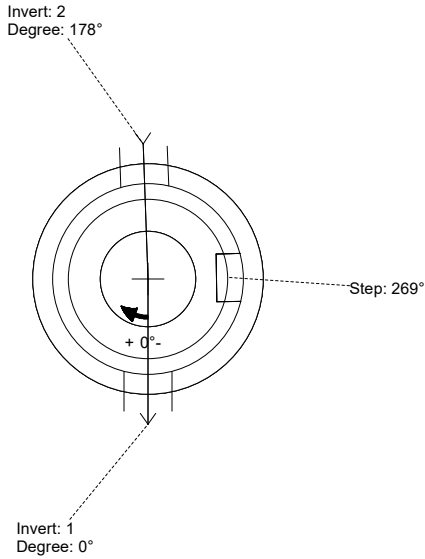
Floor (Bot): 540.993'  
 Overall Height: 10.917'  
 Slack: 1.92"

**Structure Notes:**

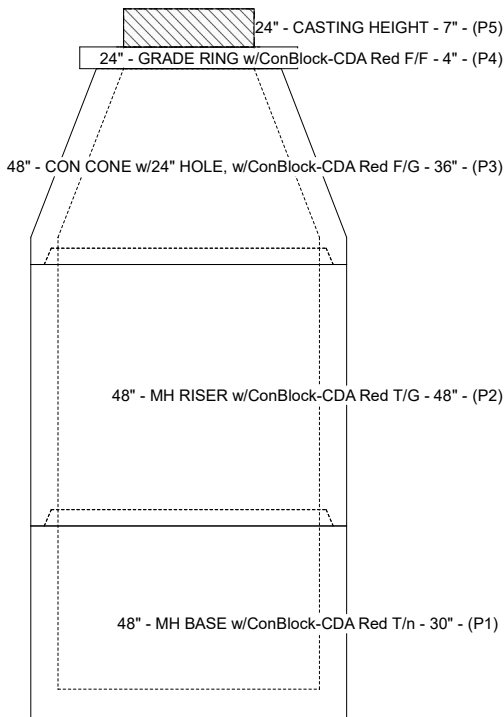
1. PER ASTM C-478 SPECIFICATIONS
2. CONCRETE: 4,000 PSI AT 28 DAYS
3. REINFORCEMENT: PER ASTM A615
4. INVERT CHANNEL REQUIRED
5. CONBLOCK CDA RED ADMIXTURE REQUIRED
6. STEPS AT 269 DEGREES
7. CASTING BY ICAST (JBS 1150 FRAME & COVER "SANITARY")

**STRUCTURE SUMMARY:**

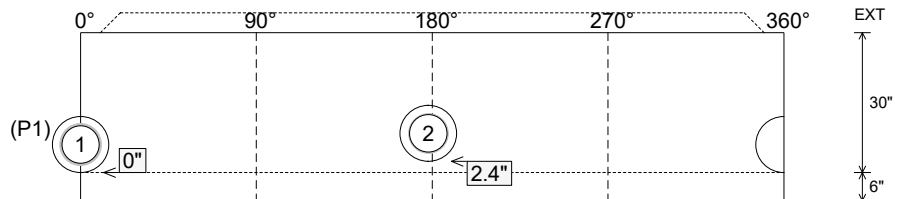
- P5) 24" - CASTING HEIGHT - 7" 0 lb
  - P4) 24" - GRADE RING w/ConBlock-CDA Red F/F - 4" 270 lb
  - P3) 48" - CON CONE w/24" HOLE, w/ConBlock-CDA Red F/G - 36" 2251 lb
  - P2) 48" - MH RISER w/ConBlock-CDA Red T/G - 48" 3353 lb
  - P1) 48" - MH BASE w/ConBlock-CDA Red T/n - 30" 3330 lb
  - 1) JOINT WRAP - 0.065"x12"x50' CONSEAL CS212 0 lb
  - 1) JOINT WRAP PRIMER - CONSEAL CS-75 (1 gal.) 0 lb
  - 1) ADMIXTURE CONBLOCK CDA RED 0 lb
  - 1) 48" - MH INVERT CHANNEL w/ConBlock-CDA Red - FULL HEIGHT 1440 lb
  - 1) CASTING - JBS 1150 F/C SANITARY 250 lb
  - 2) 48" - Conseal CS-102 1.00" (Double) 0 lb
  - 1) PSX - 12M NYLO 8 lb
  - 1) PSX - 12-08 NYLO 8 lb
  - 9) MH Step ML-10-TDS-NCR - 10" 0 lb
- Structure Total: 10910 lb



Position	Elev	Angle	Pipe	Pipe OD	Hole	Connector	Up (L)	Ref
Rim	552.07'							
Reducer								
Invert 1	541.66'	0°	8" DI	9"	12"	PSX 12M NYLO	0"	P1
Invert 2	541.86'	178°	8" PVC SDR35	8.5"	12"	PSX 12-08 NYLO	2.4"	P1
Invert 3								
Invert 4								
Invert 5								
Invert 6								
Invert 7								
Invert 8								



**Cast (Int. Dim.) - Interior Dimensions**



Submittal Drawing  
 1/5/2026 10:04:20 AM

SUBMITTAL  
 APPROVED BY: