

Job Name: 24-3539 - Larkin Springs Townhomes
 Job Location: Nashville, TN
 Contractor: Apex Earthworks, LLC

Plant: 100

Tech: J. Horsley - F

1/5/2026 11:48:33 AM

PC: A. Chambers



Structure ID: 8

P3 MH048CCN36CDARED

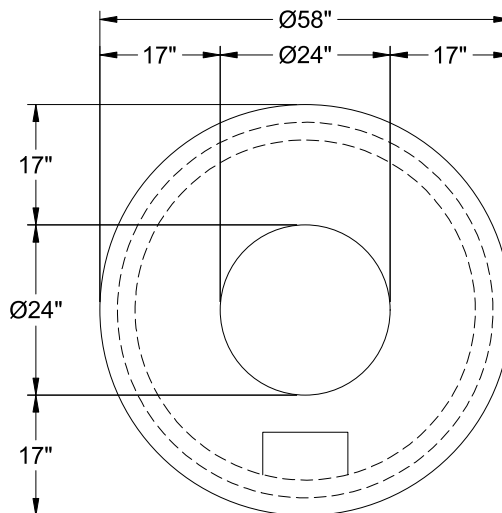
CON CONE w/24" HOLE, w/ConBlock-CDA Red F/G

- P5) 24" - CASTING HEIGHT - 7"
- P4) 24" - GRADE RING w/ConBlock-CDA Red F/F - 4"
- P3) 48" - CON CONE w/24" HOLE, w/ConBlock-CDA Red F/G - 36"
- P2) 48" - MH RISER w/ConBlock-CDA Red T/G - 48"
- P1) 48" - MH BASE w/ConBlock-CDA Red T/n - 30"
- 1) JOINT WRAP - 0.065"x12"x50' CONSEAL CS212
- 1) JOINT WRAP PRIMER - CONSEAL CS-75 (1 gal.)
- 1) ADMIXTURE CONBLOCK CDA RED
- 1) 48" - MH INVERT CHANNEL w/ConBlock-CDA Red - FULL HEIGHT
- 1) CASTING - JBS 1150 F/C SANITARY
- 2) 48" - Conseal CS-102 1.00" (Double)
- 1) PSX - 12M NYLO
- 1) PSX - 12-08 NYLO
- 9) MH Step ML-10-TDS-NCR - 10"

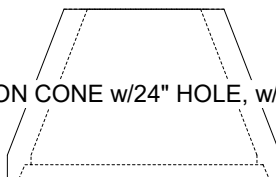
0 lb
 270 lb
 2251 lb
 3353 lb
 3330 lb
 0 lb
 0 lb
 0 lb
 1440 lb
 250 lb
 0 lb
 8 lb
 8 lb
 0 lb

- Structure Notes:
1. PER ASTM C-478 SPECIFICATIONS
 2. CONCRETE: 4,000 PSI AT 28 DAYS
 3. REINFORCEMENT: PER ASTM A615
 4. INVERT CHANNEL REQUIRED
 5. CONBLOCK CDA RED ADMIXTURE REQUIRED
 6. STEPS AT 269 DEGREES
 7. CASTING BY ICAST (JBS 1150 FRAME & COVER "SANITARY")

Structure Total: 10910 lb



48" - CON CONE w/24" HOLE, w/ConBlock-CDA Red F/G - 36" - (P3)



Coating (Int):
 Coating (Ext):

Seam Up: Flat
 Seam Dn: Groove

Wall Thickness: 5"

Height (Ext): 36"

Weight (Net): 2251 lb
 Volume (Net): 0.57cu.yd