

**Job Name: 24-3539 - Larkin Springs Townhomes**  
**Job Location: Nashville, TN**  
**Contractor: Apex Earthworks, LLC**

PC: A. Chambers  
 TECH: J. Horsley - F  
 Plant: 100



Structure ID: 7

Spec: Sanitary  
 Type: SAN.MH w/ConBlock-CDA Red  
 Size: 48"

Rim: 548.4'  
 Invert: 543.73'  
 Rim to Invert: 4.67'

Sump: 2"  
 Floor (Top): 543.563'  
 Floor Height: 6"

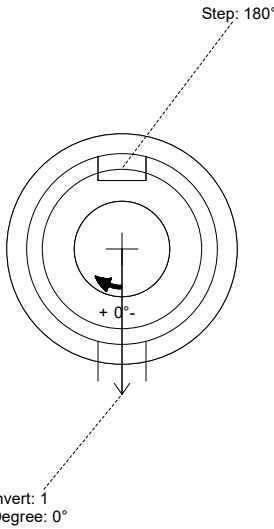
Floor (Bot): 543.063'  
 Overall Height: 5.333'  
 Slack: 0.04"

**Structure Notes:**

1. PER ASTM C-478 SPECIFICATIONS
2. CONCRETE: 4,000 PSI AT 28 DAYS
3. REINFORCEMENT: PER ASTM A615
4. INVERT CHANNEL REQUIRED
5. CONBLOCK CDA RED ADMIXTURE REQUIRED
6. STEPS AT 180 DEGREES
7. CASTING BY ICAST (JBS 1150 FRAME & COVER "SANITARY")

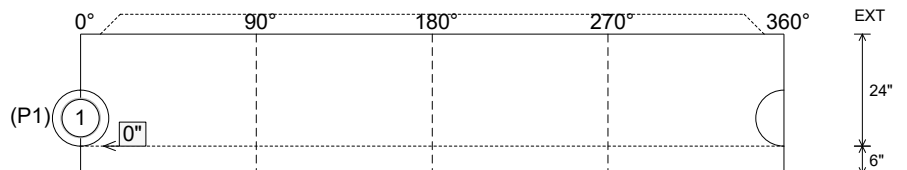
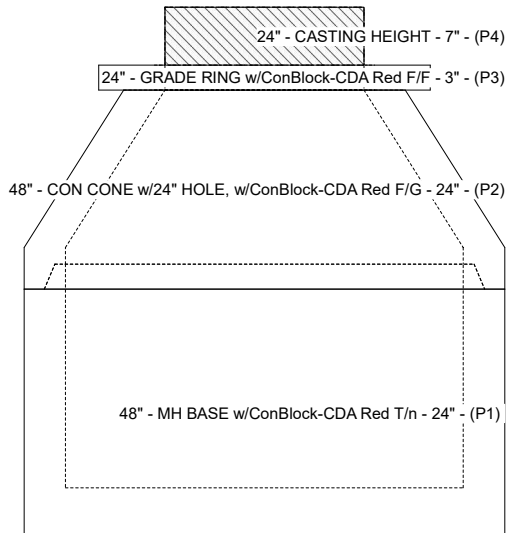
**STRUCTURE SUMMARY:**

- P4) 24" - CASTING HEIGHT - 7" 0 lb
  - P3) 24" - GRADE RING w/ConBlock-CDA Red F/F - 3" 202 lb
  - P2) 48" - CON CONE w/24" HOLE, w/ConBlock-CDA Red F/G - 24" 1297 lb
  - P1) 48" - MH BASE w/ConBlock-CDA Red T/n - 24" 2959 lb
  - 1) JOINT WRAP - 0.065"x12"x50' CONSEAL CS212 0 lb
  - 1) JOINT WRAP PRIMER - CONSEAL CS-75 (1 gal.) 0 lb
  - 1) ADMIXTURE CONBLOCK CDA RED 0 lb
  - 1) 48" - MH INVERT CHANNEL w/ConBlock-CDA Red - FULL HEIGHT 1440 lb
  - 1) CASTING - JBS 1150 F/C SANITARY 250 lb
  - 1) 48" - Conseal CS-102 1.00" (Double) 0 lb
  - 1) PSX - 12-08 NYLO 8 lb
  - 4) MH Step ML-10-TDS-NCR - 10" 0 lb
- Structure Total: 6156 lb



Position	Elev	Angle	Pipe	Pipe OD	Hole	Connector	Up (L)	Ref
Rim	548.4'							
Reducer								
Invert 1	543.73'	0°	8" PVC SDR35	8.5"	12"	PSX 12-08 NYLO	0"	P1
Invert 2								
Invert 3								
Invert 4								
Invert 5								
Invert 6								
Invert 7								
Invert 8								

**Cast (Int. Dim.) - Interior Dimensions**



Submittal Drawing  
 1/5/2026 10:04:20 AM

SUBMITTAL  
 APPROVED BY: