

Job Name: 24-3539 - Larkin Springs Townhomes
Job Location: Nashville, TN
Contractor: Apex Earthworks, LLC

PC: A. Chambers
 TECH: J. Horsley - F
 Plant: 100



Structure ID: 6

Spec: Sanitary
 Type: SAN.MH w/ConBlock-CDA Red
 Size: 48"

Rim: 547.6'
 Invert: 542.51'
 Rim to Invert: 5.09'

Sump: 2"
 Floor (Top): 542.343'
 Floor Height: 6"

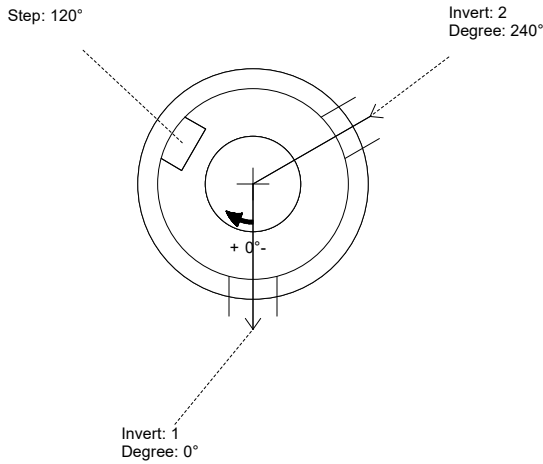
Floor (Bot): 541.843'
 Overall Height: 5.583'
 Slack: 2.08"

Structure Notes:

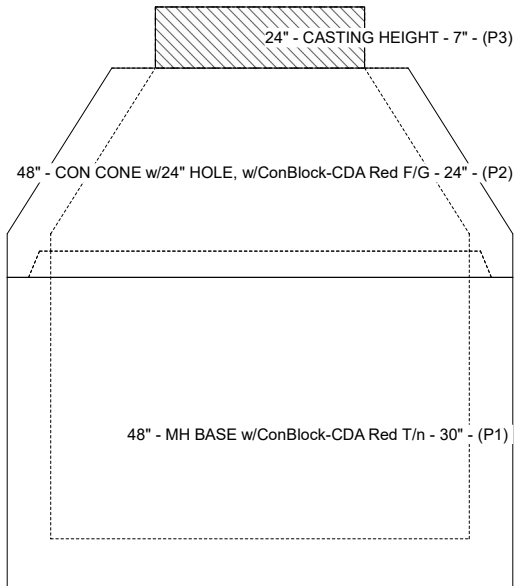
1. PER ASTM C-478 SPECIFICATIONS
2. CONCRETE: 4,000 PSI AT 28 DAYS
3. REINFORCEMENT: PER ASTM A615
4. INVERT CHANNEL REQUIRED
5. CONBLOCK CDA RED ADMIXTURE REQUIRED
6. STEPS AT 120 DEGREES
7. CASTING BY ICAST (JBS 1150 FRAME & COVER "SANITARY")

STRUCTURE SUMMARY:

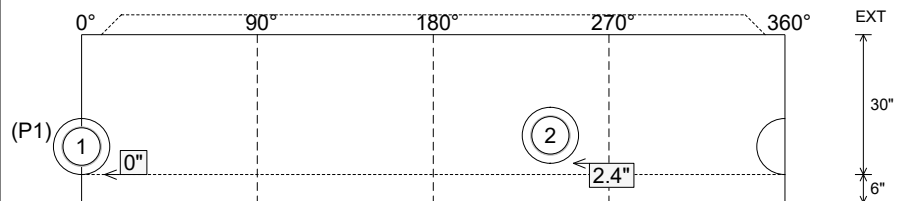
- P3) 24" - CASTING HEIGHT - 7" 0 lb
 - P2) 48" - CON CONE w/24" HOLE, w/ConBlock-CDA Red F/G - 24" 1297 lb
 - P1) 48" - MH BASE w/ConBlock-CDA Red T/n - 30" 3330 lb
 - 1) JOINT WRAP - 0.065"x12"x50' CONSEAL CS212 0 lb
 - 1) JOINT WRAP PRIMER - CONSEAL CS-75 (1 gal.) 0 lb
 - 1) ADMIXTURE CONBLOCK CDA RED 0 lb
 - 1) 48" - MH INVERT CHANNEL w/ConBlock-CDA Red - FULL HEIGHT 1440 lb
 - 1) CASTING - JBS 1150 F/C SANITARY 250 lb
 - 1) 48" - Con Seal CS-102 1.00" (Double) 0 lb
 - 2) PSX - 12-08 NYLO 16 lb
 - 4) MH Step ML-10-TDS-NCR - 10" 0 lb
- Structure Total: 6333 lb



Position	Elev	Angle	Pipe	Pipe OD	Hole	Connector	Up (L)	Ref
Rim	547.6'							
Reducer								
Invert 1	542.51'	0°	8" PVC SDR35	8.5"	12"	PSX 12-08 NYLO	0"	P1
Invert 2	542.71'	240°	8" PVC SDR35	8.5"	12"	PSX 12-08 NYLO	2.4"	P1
Invert 3								
Invert 4								
Invert 5								
Invert 6								
Invert 7								
Invert 8								



Cast (Int. Dim.) - Interior Dimensions



Submittal Drawing
 1/5/2026 10:04:26 AM

SUBMITTAL
 APPROVED BY: