

**Structure ID: 6**

**P1 MH048BA30CDARED**

**MH BASE w/ConBlock-CDA Red T/n**

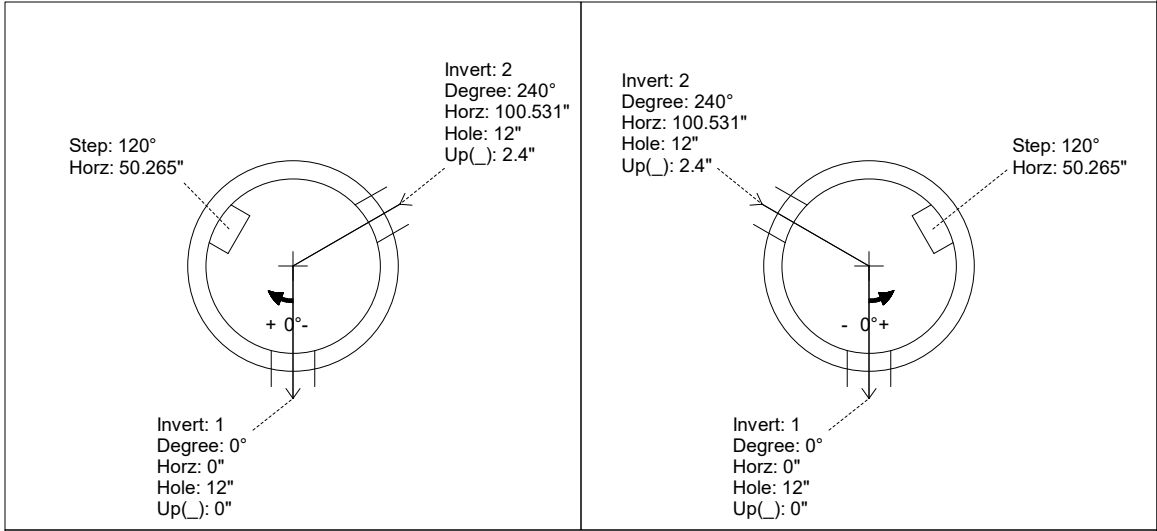
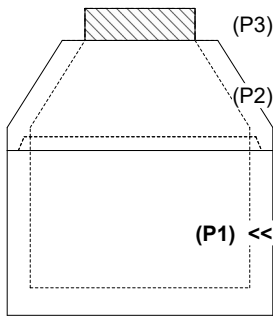
P3) 24" - CASTING HEIGHT - 7" P2) 48" - CON CONE w/24" HOLE, w/ConBlock-CDA Red F/G - 24" P1) 48" - MH BASE w/ConBlock-CDA Red T/n - 30" 1) JOINT WRAP - 0.065"x12"x50' CONSEAL CS212 1) JOINT WRAP PRIMER - CONSEAL CS-75 (1 gal.) 1) ADMIXTURE CONBLOCK CDA RED 1) 48" - MH INVERT CHANNEL w/ConBlock-CDA Red - FULL HEIGHT 1) CASTING - JBS 1150 F/C SANITARY 1) 48" - Conseal CS-102 1.00" (Double) 2) PSX - 12-08 NYLO 4) MH Step ML-10-TDS-NCR - 10"	0 lb 1297 lb 3330 lb 0 lb 0 lb 0 lb 1440 lb 250 lb 0 lb 16 lb 0 lb ----- Structure Total: 6333 lb	<b>Structure Notes:</b> 1. PER ASTM C-478 SPECIFICATIONS 2. CONCRETE: 4,000 PSI AT 28 DAYS 3. REINFORCEMENT: PER ASTM A615 4. INVERT CHANNEL REQUIRED 5. CONBLOCK CDA RED ADMIXTURE REQUIRED 6. STEPS AT 120 DEGREES 7. CASTING BY ICAST (JBS 1150 FRAME & COVER "SANITARY")
--	---	---

Rim: 547.6'    Rim to Invert: 5.09'    Slack: 2.08"    Sump: 2"    Step Position: 120°

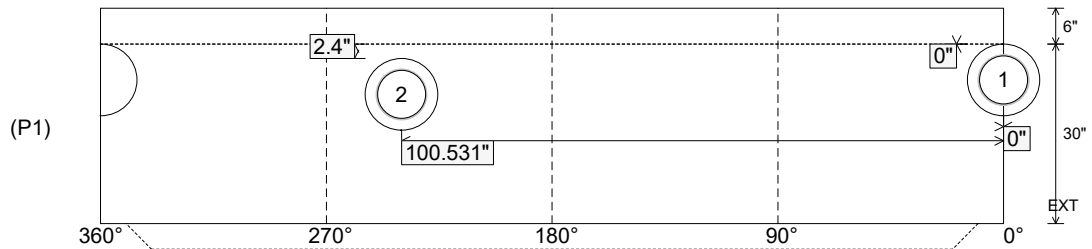
Position	Elev	Angle	Ext. (cw)	Pipe	Pipe OD	Connector	Hole	Horz Size	Up ( )	Offset
Invert 1	542.51'	0°	0"	8" PVC SDR35	8.5"	PSX 12-08 NYLO	12"	12.129"	0"	0"
Invert 2	542.71'	240°	121.475"	8" PVC SDR35	8.5"	PSX 12-08 NYLO	12"	12.129"	2.4"	0"
Invert 3										
Invert 4										
Invert 5										
Invert 6										
Invert 7										
Invert 8										

RIGHT-SIDE UP VIEW (int. dimensions)

UPSIDE-DOWN VIEW (int. dimensions)



INSIDE WALL DIMENSIONS



Coating (Int): Coating (Ext):	Seam Up: Tongue Seam Dn: n/a	Wall Thickness: 5" Floor Height: 6"	Height (Int): 30" Height (Ext): 36"	Weight (Net): 3330 lb Volume (Net): 0.85cu.yd
----------------------------------	---------------------------------	--	--	--

Job Name: 24-3539 - Larkin Springs Townhomes  
 Job Location: Nashville, TN  
 Contractor: Apex Earthworks, LLC

Plant: 100

Tech: J. Horsley - F

1/5/2026 11:54:36 AM

PC: A. Chambers



**Structure ID: 6**

**P1 MH048BA30CDARED**

**MH BASE w/ConBlock-CDA Red T/n**

- P3) 24" - CASTING HEIGHT - 7"
- P2) 48" - CON CONE w/24" HOLE, w/ConBlock-CDA Red F/G - 24"
- P1) 48" - MH BASE w/ConBlock-CDA Red T/n - 30"
- 1) JOINT WRAP - 0.065"x12"x50' CONSEAL CS212
- 1) JOINT WRAP PRIMER - CONSEAL CS-75 (1 gal.)
- 1) ADMIXTURE CONBLOCK CDA RED
- 1) 48" - MH INVERT CHANNEL w/ConBlock-CDA Red - FULL HEIGHT
- 1) CASTING - JBS 1150 F/C SANITARY
- 1) 48" - Conseal CS-102 1.00" (Double)
- 2) PSX - 12-08 NYLO
- 4) MH Step ML-10-TDS-NCR - 10"

0 lb  
 1297 lb  
 3330 lb  
 0 lb  
 0 lb  
 0 lb  
 1440 lb  
 250 lb  
 0 lb  
 16 lb  
 0 lb

- Structure Notes:**
1. PER ASTM C-478 SPECIFICATIONS
  2. CONCRETE: 4,000 PSI AT 28 DAYS
  3. REINFORCEMENT: PER ASTM A615
  4. INVERT CHANNEL REQUIRED
  5. CONBLOCK CDA RED ADMIXTURE REQUIRED
  6. STEPS AT 120 DEGREES
  7. CASTING BY ICAST (JBS 1150 FRAME & COVER "SANITARY")

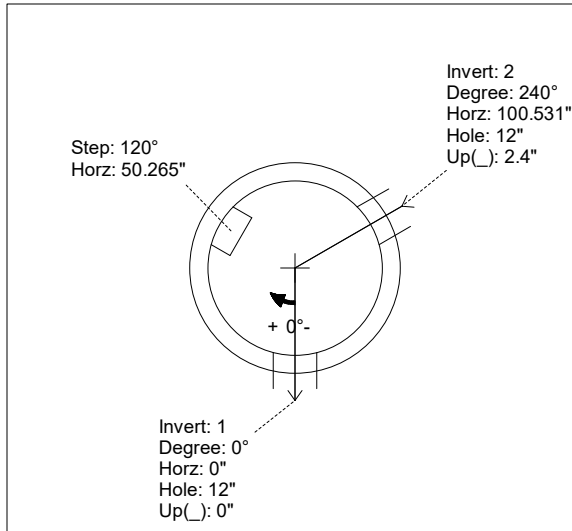
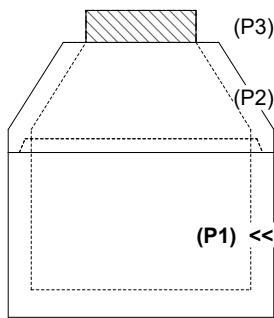
Structure Total: 6333 lb

Rim: 547.6' Rim to Invert: 5.09' Slack: 2.08" Sump: 2" Step Position: 120°

Position	Elev	Angle	Ext. (cw)	Pipe	Pipe OD	Connector	Hole	Horz Size	Up ( )	Offset
Invert 1	542.51'	0°	0"	8" PVC SDR35	8.5"	PSX 12-08 NYLO	12"	12.129"	0"	0"
Invert 2	542.71'	240°	121.475"	8" PVC SDR35	8.5"	PSX 12-08 NYLO	12"	12.129"	2.4"	0"
Invert 3										
Invert 4										
Invert 5										
Invert 6										
Invert 7										
Invert 8										

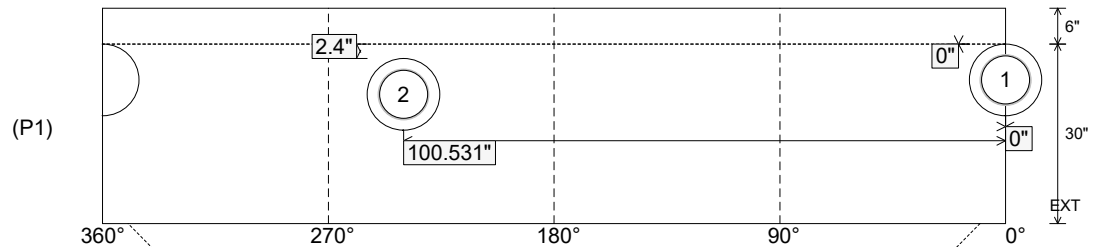
RIGHT-SIDE UP VIEW (int. dimensions)

UPSIDE-DOWN VIEW (int. dimensions)



**INVERT CHANNEL DRAWING**

INSIDE WALL DIMENSIONS



Coating (Int):  
 Coating (Ext):

Seam Up: Tongue  
 Seam Dn: n/a

Wall Thickness: 5"  
 Floor Height: 6"

Height (Int): 30"  
 Height (Ext): 36"

Weight (Net): 3330 lb  
 Volume (Net): 0.85cu.yd