

**Job Name: 24-3539 - Larkin Springs Townhomes**  
**Job Location: Nashville, TN**  
**Contractor: Apex Earthworks, LLC**

PC: A. Chambers  
 TECH: J. Horsley - F  
 Plant: 100



Structure ID: 5  
 Spec: Sanitary  
 Type: SAN.MH w/ConBlock-CDA Red  
 Size: 48"

Rim: 554.21'  
 Invert: 539.91'  
 Rim to Invert: 14.3'

Sump: 2"  
 Floor (Top): 539.743'  
 Floor Height: 6"

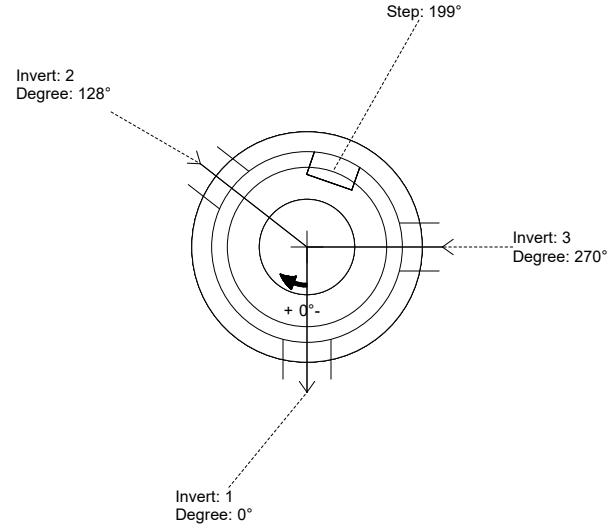
Floor (Bot): 539.243'  
 Overall Height: 14.917'  
 Slack: 0.6"

**Structure Notes:**

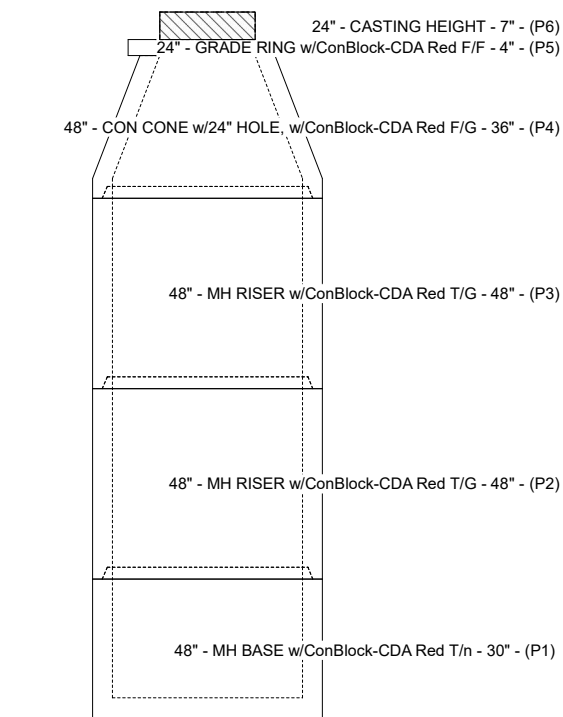
- PER ASTM C-478 SPECIFICATIONS
- CONCRETE: 4,000 PSI AT 28 DAYS
- REINFORCEMENT: PER ASTM A615
- INVERT CHANNEL REQUIRED
- CONBLOCK CDA RED ADMIXTURE REQUIRED
- STEPS AT 199 DEGREES
- CASTING BY ICAST (JBS 1150 FRAME & COVER "SANITARY")

**STRUCTURE SUMMARY:**

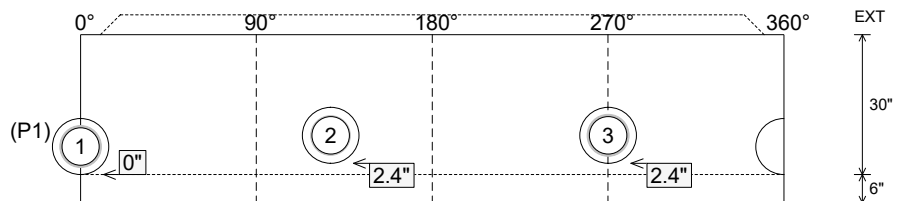
- P6) 24" - CASTING HEIGHT - 7" 0 lb
  - P5) 24" - GRADE RING w/ConBlock-CDA Red F/F - 4" 270 lb
  - P4) 48" - CON CONE w/24" HOLE, w/ConBlock-CDA Red F/G - 36" 2251 lb
  - P3) 48" - MH RISER w/ConBlock-CDA Red T/G - 48" 3353 lb
  - P2) 48" - MH RISER w/ConBlock-CDA Red T/G - 48" 3353 lb
  - P1) 48" - MH BASE w/ConBlock-CDA Red T/n - 30" 3282 lb
  - 1) JOINT WRAP - 0.065"x12"x50' CONSEAL CS212 0 lb
  - 1) JOINT WRAP PRIMER - CONSEAL CS-75 (1 gal.) 0 lb
  - 1) ADMIXTURE CONBLOCK CDA RED 0 lb
  - 1) 48" - MH INVERT CHANNEL w/ConBlock-CDA Red - FULL HEIGHT 1440 lb
  - 1) CASTING - JBS 1150 F/C SANITARY 250 lb
  - 3) 48" - Conseal CS-102 1.00" (Double) 0 lb
  - 2) PSX - 12M NYLO 16 lb
  - 1) PSX - 12-08 NYLO 8 lb
  - 13) MH Step ML-10-TDS-NCR - 10" 0 lb
- Structure Total: 14224 lb



Position	Elev	Angle	Pipe	Pipe OD	Hole	Connector	Up (L)	Ref
Rim	554.21'							
Reducer								
Invert 1	539.91'	0°	8" DI	9"	12"	PSX 12M NYLO	0"	P1
Invert 2	540.11'	128°	8" PVC SDR35	8.5"	12"	PSX 12-08 NYLO	2.4"	P1
Invert 3	540.11'	270°	8" DI	9"	12"	PSX 12M NYLO	2.4"	P1
Invert 4								
Invert 5								
Invert 6								
Invert 7								
Invert 8								



**Cast (Int. Dim.) - Interior Dimensions**



Submittal Drawing  
 1/5/2026 10:04:26 AM

SUBMITTAL  
 APPROVED BY: