

Job Name: 24-3539 - Larkin Springs Townhomes
 Job Location: Nashville, TN
 Contractor: Apex Earthworks, LLC

Plant: 100

1/5/2026 11:48:40 AM

Tech: J. Horsley - F

PC: A. Chambers



Structure ID: 4in Grade Ring

P2 GR4CDARED

GRADE RING w/ConBlock-CDA Red F/F

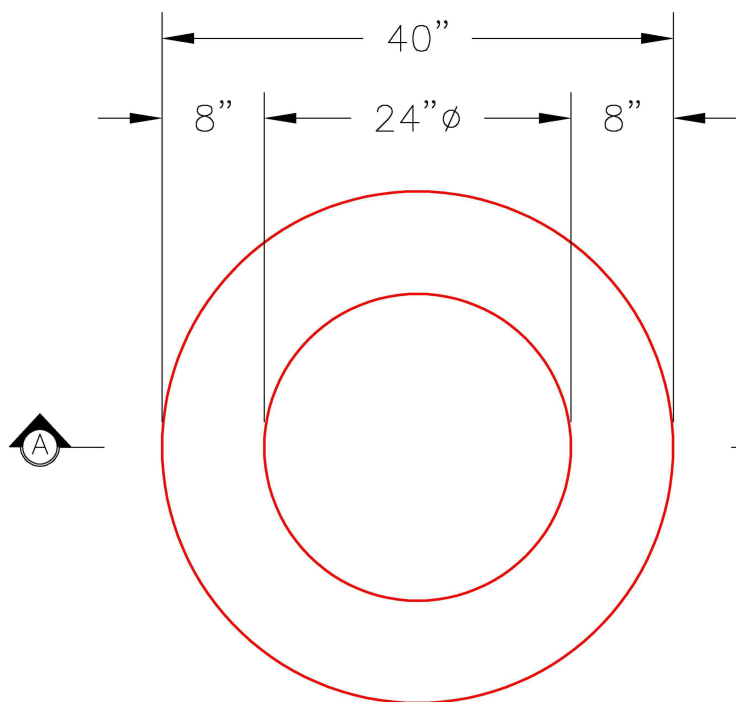
- P2) 24" - GRADE RING w/ConBlock-CDA Red F/F - 4"
- P1) 48" - MH FLAT TOP w/24" Hole ECC w/ConBlock-CDA Red F/G - 12"
- 1) JOINT WRAP - 0.065"x12"x50' CONSEAL CS212
- 1) JOINT WRAP PRIMER - CONSEAL CS-75 (1 gal.)
- 1) ADMIXTURE CONBLOCK CDA RED
- 1) NO PIPE (RISER BTM) - 0"

270 lb
 1580 lb
 0 lb
 0 lb
 0 lb
 0 lb
 0 lb

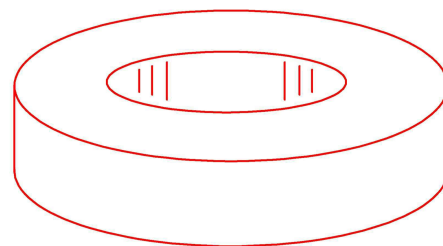
 1850 lb

Structure Total:

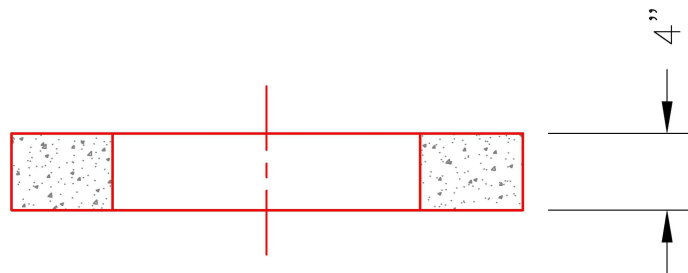
- Structure Notes:
1. PER ASTM C-478 SPECIFICATIONS
 2. CONCRETE: 4,000 PSI AT 28 DAYS
 3. REINFORCEMENT: (1) #3 HOOP CENTERED (GRADE 60)
 4. CONBLOCK CDA RED ADMIXTURE REQUIRED



PLAN VIEW



ISOMETRIC VIEW



SECTION A-A

Coating (Int):
 Coating (Ext):

Seam Up: Flat
 Seam Dn: Flat

Wall Thickness: 8"

Height (Ext): 4"

Weight (Net): 270 lb
 Volume (Net): 0.07cu.yd