

**Job Name: 24-3539 - Larkin Springs Townhomes**  
**Job Location: Nashville, TN**  
**Contractor: Apex Earthworks, LLC**

PC: A. Chambers  
TECH: J. Horsley - F  
Plant: 100



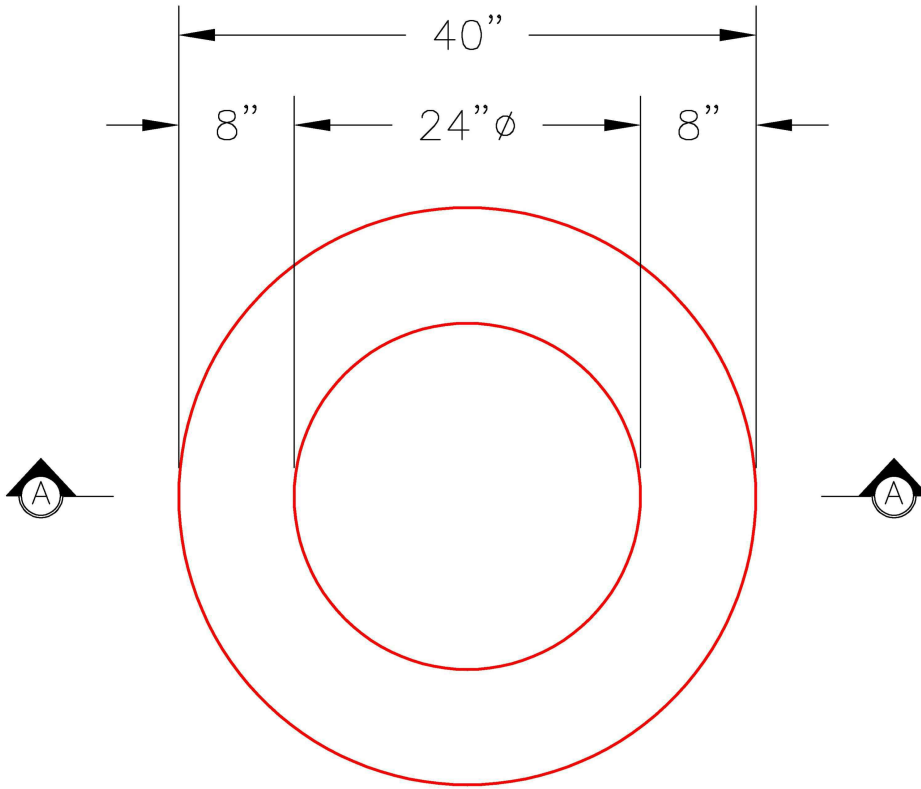
Structure ID: **3in Grade Ring**

Spec: Sanitary  
Type: SAN.MH w/ConBlock-CDA Red  
Size: 48"

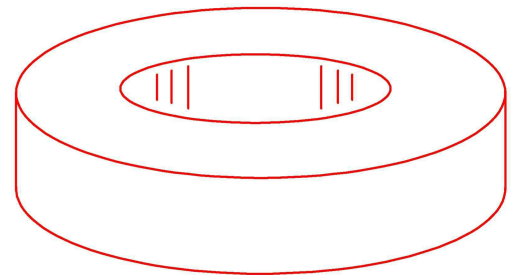
Rim: 0.25'  
Invert: 0'  
Rim to Invert: 0.25'

Sump: 0"  
Floor (Top): 0'  
Floor Height: 0"

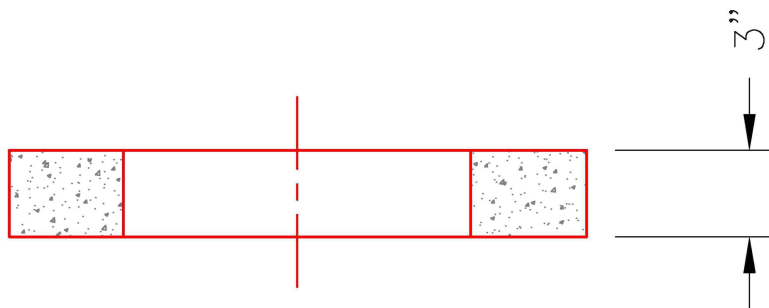
Floor (Bot): 0'  
Overall Height: 0.25'  
Slack: 0"



**PLAN VIEW**



**ISOMETRIC VIEW**



**SECTION A-A**

Submittal Drawing  
1/5/2026 10:04:31 AM

SUBMITTAL  
APPROVED BY: