

Job Name: 24-3539 - Larkin Springs Townhomes
 Job Location: Nashville, TN
 Contractor: Apex Earthworks, LLC

Plant: 100

Tech: J. Horsley - F

1/5/2026 11:54:32 AM

PC: A. Chambers



Structure ID: 3

P1 MH048BA24CDARED

MH BASE w/ConBlock-CDA Red T/n

- P4) 24" - CASTING HEIGHT - 7"
- P3) 48" - CON CONE w/24" HOLE, w/ConBlock-CDA Red F/G - 36"
- P2) 48" - MH RISER w/ConBlock-CDA Red T/G - 36"
- P1) 48" - MH BASE w/ConBlock-CDA Red T/n - 24"
- 1) JOINT WRAP - 0.065"x12"x50' CONSEAL CS212
- 1) JOINT WRAP PRIMER - CONSEAL CS-75 (1 gal.)
- 1) ADMIXTURE CONBLOCK CDA RED
- 1) 48" - MH INVERT CHANNEL w/ConBlock-CDA Red - FULL HEIGHT
- 1) CASTING - JBS 1150 F/C SANITARY
- 2) 48" - Conseal CS-102 1.00" (Double)
- 2) PSX - 12-08 NYLO
- 8) MH Step ML-10-TDS-NCR - 10"

- Structure Notes:**
1. PER ASTM C-478 SPECIFICATIONS
 2. CONCRETE: 4,000 PSI AT 28 DAYS
 3. REINFORCEMENT: PER ASTM A615
 4. INVERT CHANNEL REQUIRED
 5. CONBLOCK CDA RED ADMIXTURE REQUIRED
 6. STEPS AT 128.5 DEGREES
 7. CASTING BY ICAST (JBS 1150 FRAME & COVER "SANITARY")

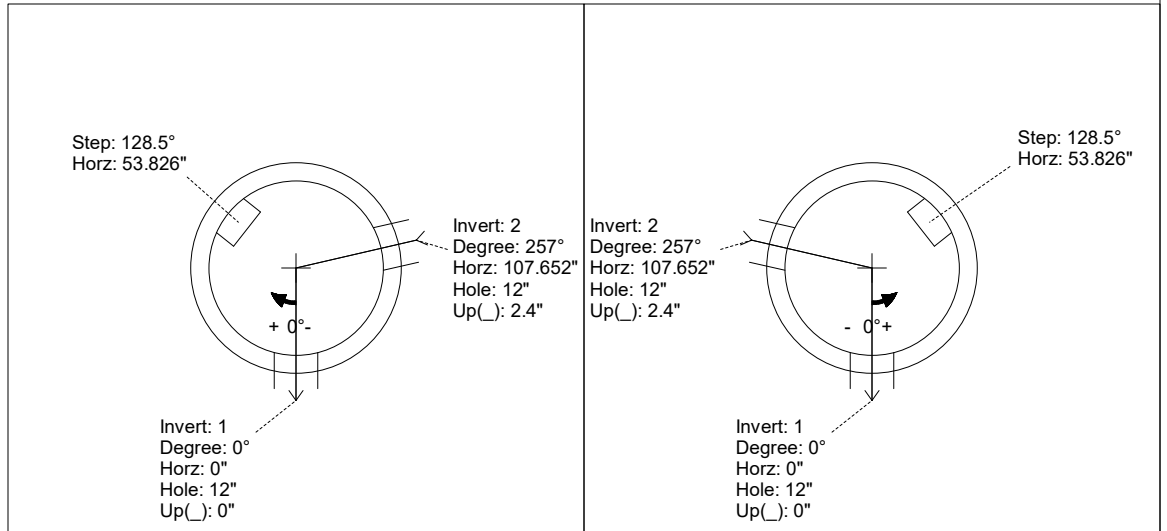
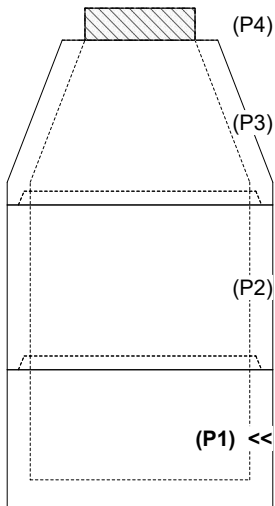
Structure Total: 9383 lb

Rim: 536.5' Rim to Invert: 8.45' Slack: 0.4" Sump: 2" Step Position: 128.5°

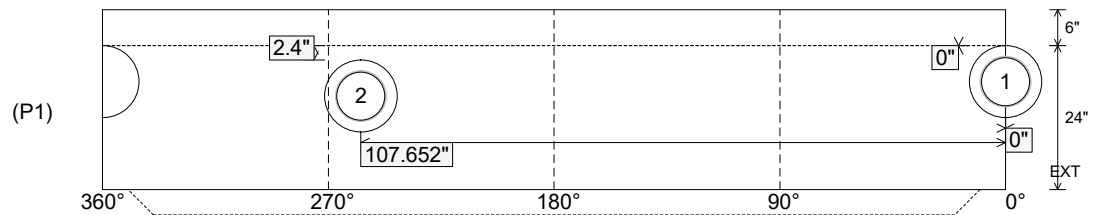
Position	Elev	Angle	Ext. (cw)	Pipe	Pipe OD	Connector	Hole	Horz Size	Up ()	Offset
Invert 1	528.05'	0°	0"	8" PVC SDR35	8.5"	PSX 12-08 NYLO	12"	12.129"	0"	0"
Invert 2	528.25'	257°	130.079"	8" PVC SDR35	8.5"	PSX 12-08 NYLO	12"	12.129"	2.4"	0"
Invert 3										
Invert 4										
Invert 5										
Invert 6										
Invert 7										
Invert 8										

RIGHT-SIDE UP VIEW (int. dimensions)

UPSIDE-DOWN VIEW (int. dimensions)



INSIDE WALL DIMENSIONS



Coating (Int):
Coating (Ext):

Seam Up: Tongue
Seam Dn: n/a

Wall Thickness: 5"
Floor Height: 6"

Height (Int): 24"
Height (Ext): 30"

Weight (Net): 2911 lb
Volume (Net): 0.74cu.yd

Structure ID: 3

P1 MH048BA24CDARED

MH BASE w/ConBlock-CDA Red T/n

- | | |
|---|--|
| P4) 24" - CASTING HEIGHT - 7"
P3) 48" - CON CONE w/24" HOLE, w/ConBlock-CDA Red F/G - 36"
P2) 48" - MH RISER w/ConBlock-CDA Red T/G - 36"
P1) 48" - MH BASE w/ConBlock-CDA Red T/n - 24"
1) JOINT WRAP - 0.065"x12"x50' CONSEAL CS212
1) JOINT WRAP PRIMER - CONSEAL CS-75 (1 gal.)
1) ADMIXTURE CONBLOCK CDA RED
1) 48" - MH INVERT CHANNEL w/ConBlock-CDA Red - FULL HEIGHT
1) CASTING - JBS 1150 F/C SANITARY
2) 48" - Conseal CS-102 1.00" (Double)
2) PSX - 12-08 NYLO
8) MH Step ML-10-TDS-NCR - 10" | 0 lb
2251 lb
2515 lb
2911 lb
0 lb
0 lb
0 lb
1440 lb
250 lb
0 lb
16 lb
0 lb

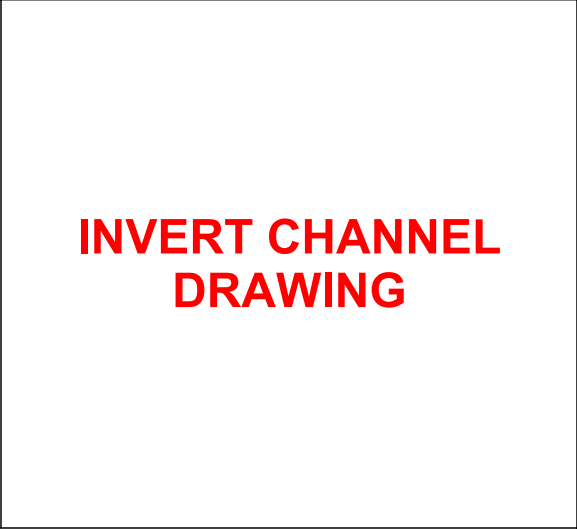
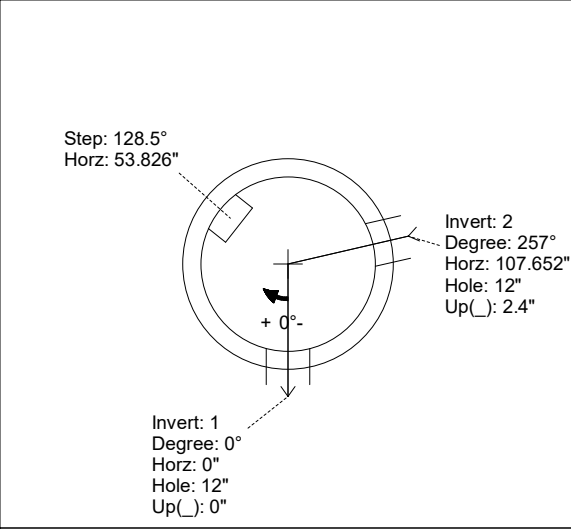
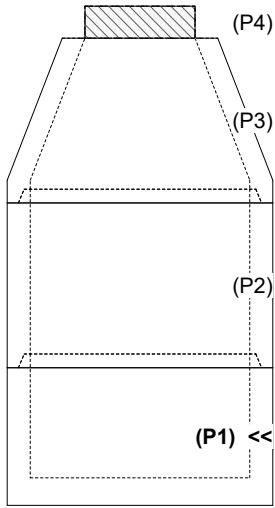
Structure Total: 9383 lb |
|---|--|

- Structure Notes:**
1. PER ASTM C-478 SPECIFICATIONS
 2. CONCRETE: 4,000 PSI AT 28 DAYS
 3. REINFORCEMENT: PER ASTM A615
 4. INVERT CHANNEL REQUIRED
 5. CONBLOCK CDA RED ADMIXTURE REQUIRED
 6. STEPS AT 128.5 DEGREES
 7. CASTING BY ICAST (JBS 1150 FRAME & COVER "SANITARY")

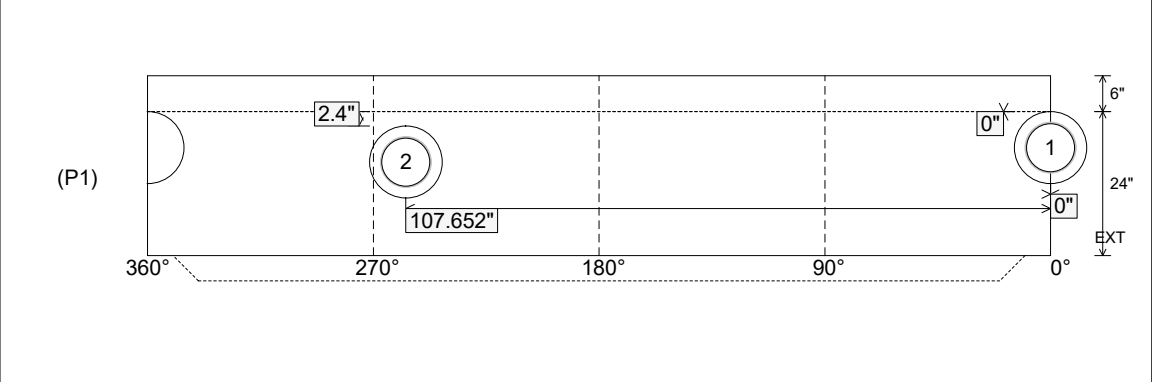
Rim: 536.5' Rim to Invert: 8.45' Slack: 0.4" Sump: 2" Step Position: 128.5°

Position	Elev	Angle	Ext. (cw)	Pipe	Pipe OD	Connector	Hole	Horz Size	Up ()	Offset
Invert 1	528.05'	0°	0"	8" PVC SDR35	8.5"	PSX 12-08 NYLO	12"	12.129"	0"	0"
Invert 2	528.25'	257°	130.079"	8" PVC SDR35	8.5"	PSX 12-08 NYLO	12"	12.129"	2.4"	0"
Invert 3										
Invert 4										
Invert 5										
Invert 6										
Invert 7										
Invert 8										

RIGHT-SIDE UP VIEW (int. dimensions) UPSIDE-DOWN VIEW (int. dimenions)



INSIDE WALL DIMENSIONS



Coating (Int): Coating (Ext):	Seam Up: Tongue Seam Dn: n/a	Wall Thickness: 5" Floor Height: 6"	Height (Int): 24" Height (Ext): 30"	Weight (Net): 2911 lb Volume (Net): 0.74cu.yd
----------------------------------	---------------------------------	--	--	--