

Structure ID: SAMH C2

P2 MH048RS24X

MH RISER w/XYPEX T/G

| | |
|--|--|
| P4) 24" - CASTING HEIGHT - 6" P3) 48" - CON XYPEX CONE w/24" HOLE F/G - 24" P2) 48" - MH RISER w/XYPEX T/G - 24" P1) 48" - MH BASE w/XYPEX T/n - 30" 1) 48" - MH INVERT CHANNEL w/XYPEX - FULL HEIGHT 1) JOINT WRAP - 0.065"x6"x50' CONSEAL CS212 1) JOINT WRAP PRIMER - CONSEAL CS-75 (1 gal.) 1) ADMIXTURE XYPEX C-500 NF RED 1) CASTING - JBS 1155 F/C SANITARY 2) 48" - DBL 1"x14.5' Butyl (2x) 2) Kor-N-Seal1 - S106-12AW 6) MH Step ML-10-TDS-NCR - 10" | 0 lb 2251 lb 1677 lb 3330 lb 1440 lb 0 lb 0 lb 0 lb 0 lb 250 lb 0 lb 13 lb 0 lb <hr style="width: 50px; margin-left: 0;"/> Structure Total: 8961 lb |
|--|--|

Structure Notes:

1. PER ASTM C478 SPECIFICATIONS.
2. CONCRETE = 4,000 PSI AT 28 DAYS.
3. ADMIXTURE = XYPEX C-500 NF RED 3.5% BY WEIGHT OF CEMENT
4. CASTING BY ICAST (JBS 1155 F/C).

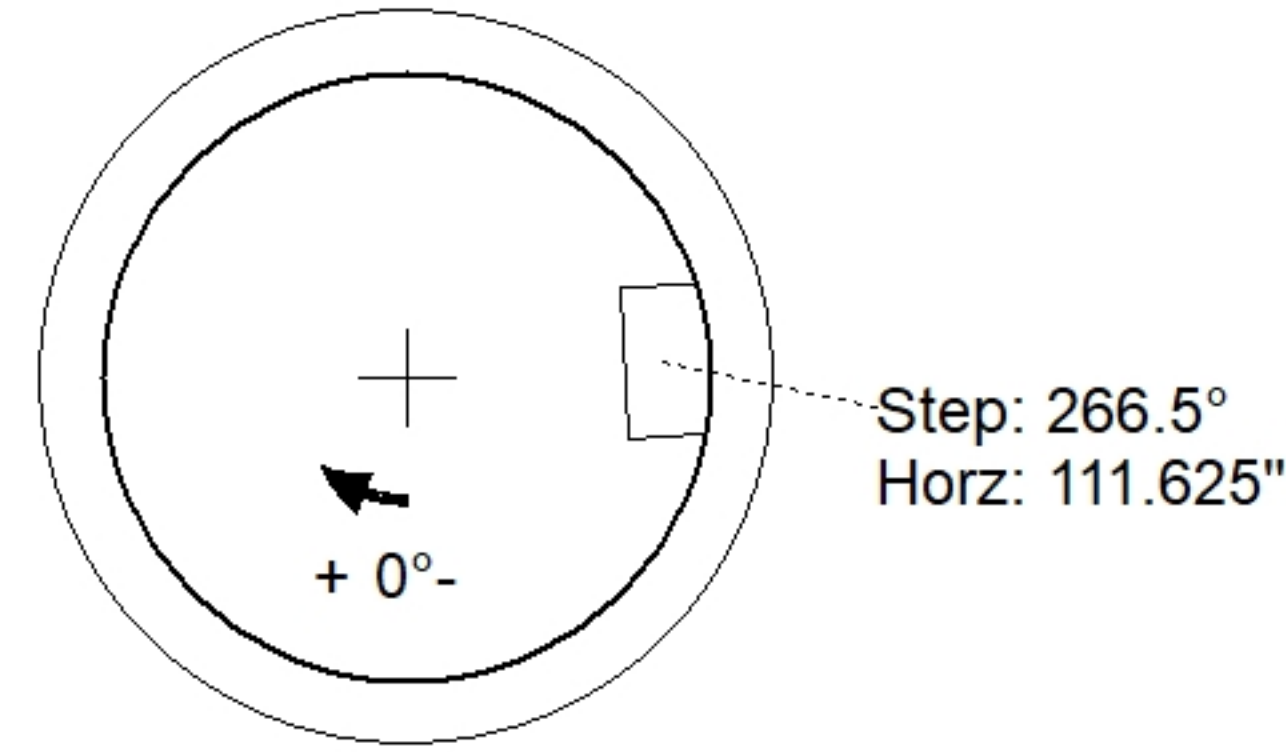
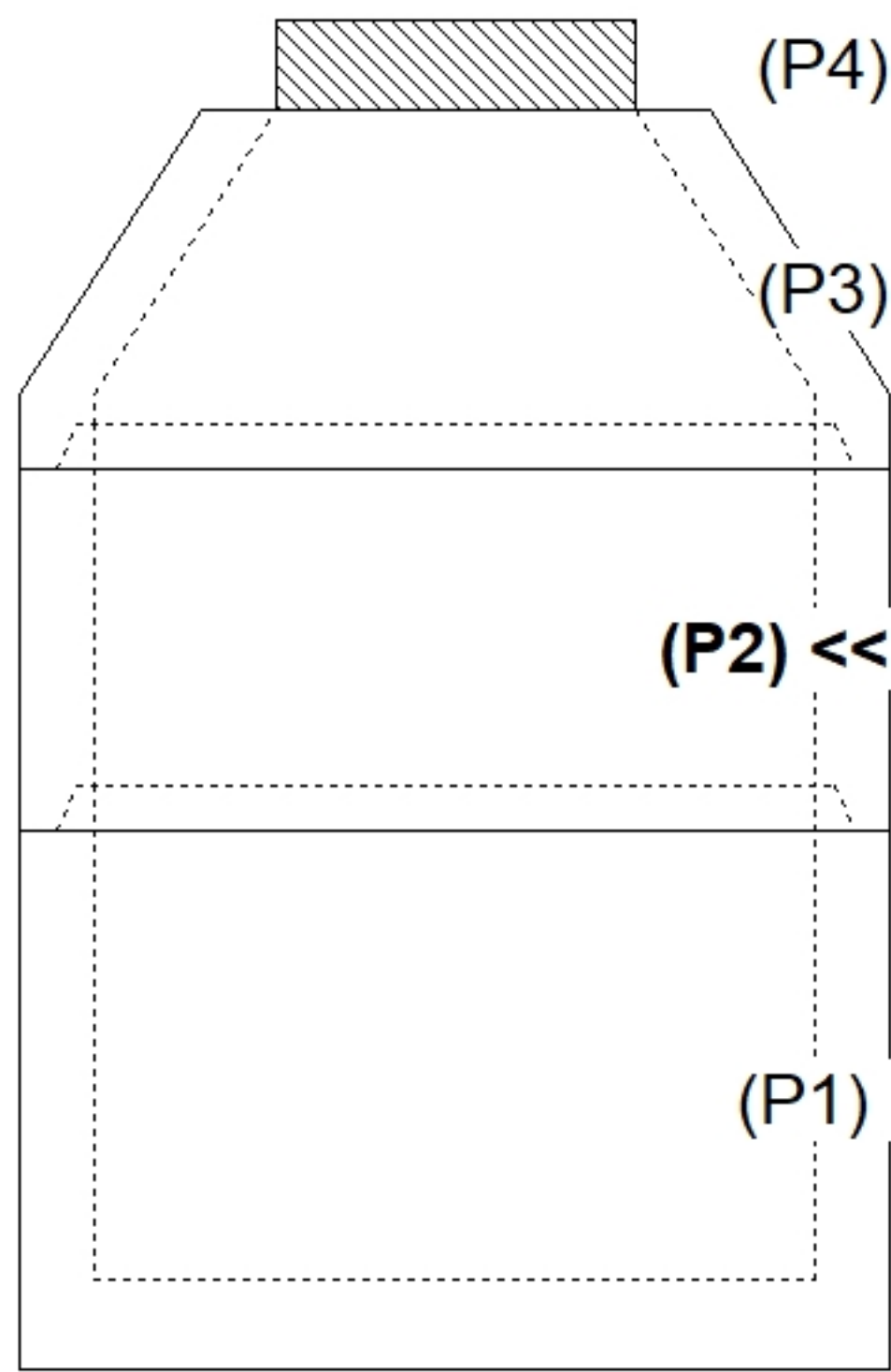
REINFORCING PER ASTM A615 (GRADE 60).

- CONE (As .12)
- RISER (As .12)
- FLOOR (As .31) #5 BARS AT 12" C.C.E.W.

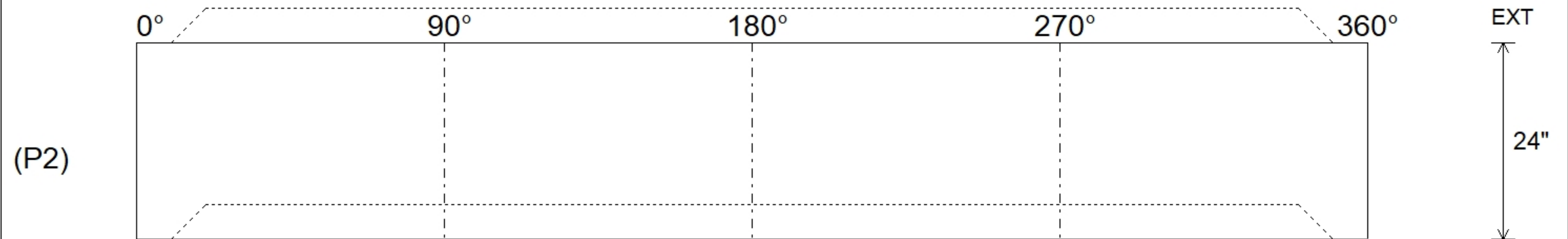
Rim: 572.36' Rim to Invert: 6.86' Slack: 0.32" Sump: 2" Step Position: 266.5°

| Position | Elev | Angle | Ext. (cw) | Pipe | Pipe OD | Connector | Hole | Horz Size | Up (L) | Offset |
|----------|------|-------|-----------|------|---------|-----------|------|-----------|--------|--------|
| Invert 1 | | | | | | | | | | |
| Invert 2 | | | | | | | | | | |
| Invert 3 | | | | | | | | | | |
| Invert 4 | | | | | | | | | | |
| Invert 5 | | | | | | | | | | |
| Invert 6 | | | | | | | | | | |
| Invert 7 | | | | | | | | | | |
| Invert 8 | | | | | | | | | | |

RIGHT-SIDE UP VIEW (int. dimensions)



INSIDE WALL DIMENSIONS



| | | | |
|----------------|------------------------------------|--|--|
| Coating (Int): | Seam Up: Tongue Seam Dn: Groove | Wall Thickness: 5" Floor Height: 0" | Height (Int): 24" Height (Ext): 24" |
| Coating (Ext): | | | Weight (Net): 1677 lb Volume (Net): 0.43cu.yd |