

Job Name: 24-3511 Coles Ferry Section 18 & 19  
 Job Location: Lebanon, TN  
 Contractor: Covenant Constructors, LLC

Plant: Beaver Dam, KY  
 4/30/2026 1:37:38 PM

Tech: J. Horsley  
 PC: A. Chambers



**Structure ID: SAMH C1**

**P1 MH048BA24X**

**MH BASE w/XYPEX T/n**

- P3) 24" - CASTING HEIGHT - 6"
- P2) 48" - CON XYPEX CONE w/24" HOLE F/G - 36"
- P1) 48" - MH BASE w/XYPEX T/n - 24"
- 1) 48" - MH INVERT CHANNEL w/XYPEX - FULL HEIGHT
- 1) JOINT WRAP - 0.065"x6"x50' CONSEAL CS212
- 1) JOINT WRAP PRIMER - CONSEAL CS-75 (1 gal.)
- 1) ADMIXTURE XYPEX C-500 NF RED
- 1) CASTING - JBS 1155 F/C SANITARY
- 1) 48" - DBL 1"x14.5' Butyl (2x)
- 2) Kor-N-Seal1 - S106-12AW
- 5) MH Step ML-10-TDS-NCR - 10"

**Structure Notes:**  
 1. PER ASTM C478 SPECIFICATIONS.  
 2. CONCRETE = 4,000 PSI AT 28 DAYS.  
 3. ADMIXTURE = XYPEX C-500 NF RED  
 3.5% BY WEIGHT OF CEMENT  
 4. CASTING BY ICAST (JBS 1155 F/C).

REINFORCING PER ASTM A615 (GRADE 60).  
 - CONE (As .12)  
 - RISER (As .12)  
 - FLOOR (As .31) #5 BARS AT 12" C.C.E.W.

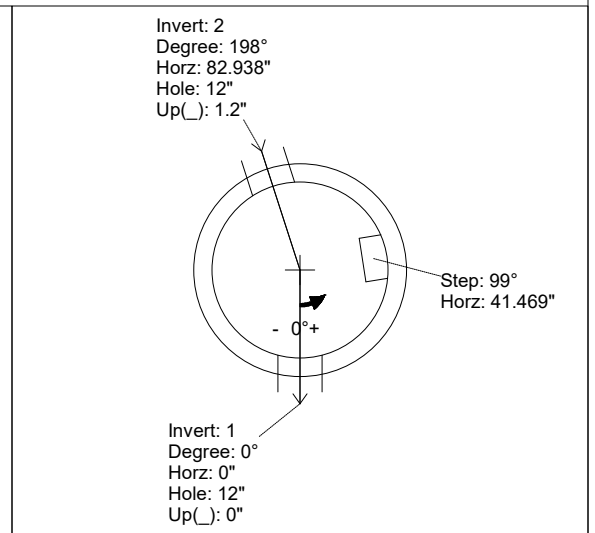
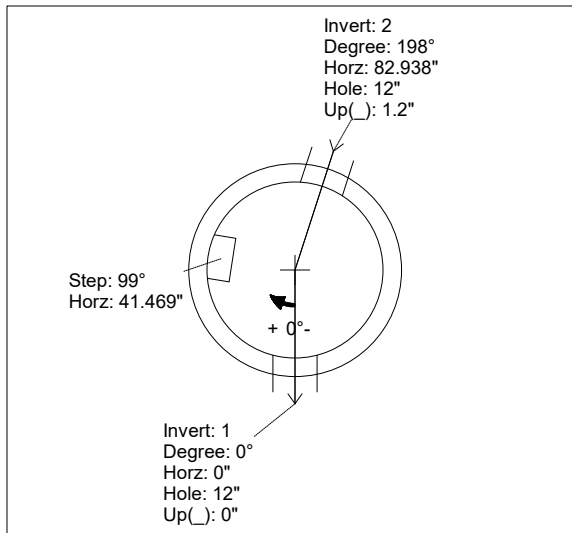
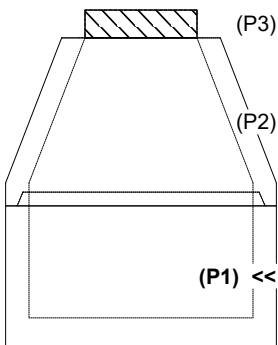
0 lb  
 2251 lb  
 2911 lb  
 1440 lb  
 0 lb  
 0 lb  
 0 lb  
 250 lb  
 0 lb  
 13 lb  
 0 lb  
 -----  
 Structure Total: 6865 lb

Rim: 570.61' Rim to Invert: 6.8' Slack: 1.467' Sump: 0.167' Step Position: 99°

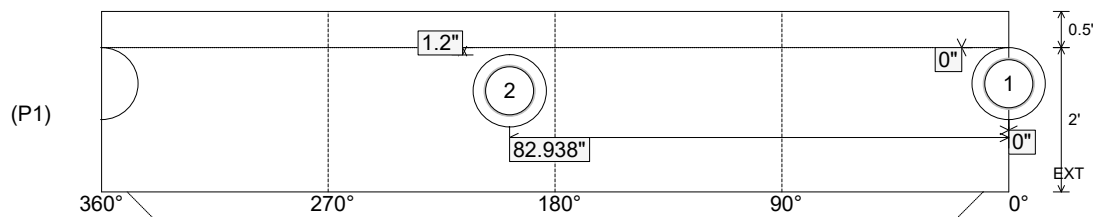
Position	Elev	Angle	Ext. (cw)	Pipe	Pipe OD	Connector	Hole	Horz Size	Up ( )	Offset
Invert 1	563.81'	0°	0"	8" PVC SDR26	8.5"	Kor-N-Seal1 S106-12AW	12"	12.129"	0"	0"
Invert 2	563.91'	198°	100.217"	8" PVC SDR26	8.5"	Kor-N-Seal1 S106-12AW	12"	12.129"	1.2"	0"
Invert 3										
Invert 4										
Invert 5										
Invert 6										
Invert 7										
Invert 8										

RIGHT-SIDE UP VIEW (int. dimensions)

UPSIDE-DOWN VIEW (int. dimensions)



INSIDE WALL DIMENSIONS



Coating (Int):  
 Coating (Ext):

Seam Up: Tongue  
 Seam Dn: n/a

Wall Thickness: 5"  
 Floor Height: 0.5'

Height (Int): 2'  
 Height (Ext): 2.5'

Weight (Net): 2911 lb  
 Volume (Net): 0.74cu.yd

Job Name: 24-3511 Coles Ferry Section 18 & 19  
 Job Location: Lebanon, TN  
 Contractor: Covenant Constructors, LLC

Plant: Beaver Dam, KY  
 4/30/2026 1:37:38 PM

Tech: J. Horsley  
 PC: A. Chambers



**Structure ID: SAMH C1**

**P1 MH048BA24X**

**MH BASE w/XYPEX T/n**

- P3) 24" - CASTING HEIGHT - 6"
- P2) 48" - CON XYPEX CONE w/24" HOLE F/G - 36"
- P1) 48" - MH BASE w/XYPEX T/n - 24"
- 1) 48" - MH INVERT CHANNEL w/XYPEX - FULL HEIGHT
- 1) JOINT WRAP - 0.065"x6"x50' CONSEAL CS212
- 1) JOINT WRAP PRIMER - CONSEAL CS-75 (1 gal.)
- 1) ADMIXTURE XYPEX C-500 NF RED
- 1) CASTING - JBS 1155 F/C SANITARY
- 1) 48" - DBL 1"x14.5' Butyl (2x)
- 2) Kor-N-Seal1 - S106-12AW
- 5) MH Step ML-10-TDS-NCR - 10"

**Structure Notes:**  
 1. PER ASTM C478 SPECIFICATIONS.  
 2. CONCRETE = 4,000 PSI AT 28 DAYS.  
 3. ADMIXTURE = XYPEX C-500 NF RED  
 3.5% BY WEIGHT OF CEMENT  
 4. CASTING BY ICAST (JBS 1155 F/C).

REINFORCING PER ASTM A615 (GRADE 60).  
 - CONE (As .12)  
 - RISER (As .12)  
 - FLOOR (As .31) #5 BARS AT 12" C.C.E.W.

Structure Total: 6865 lb

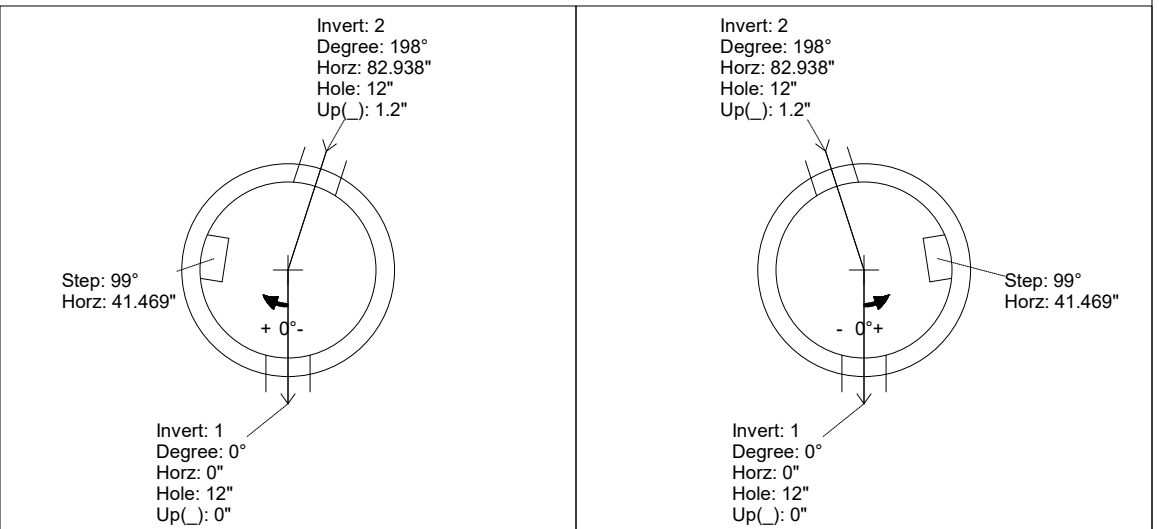
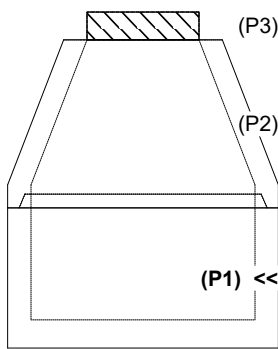
**Invert channel drawing - Full height invert**

Rim: 570.61' Rim to Invert: 6.8' Slack: 1.467' Sump: 0.167' Step Position: 99°

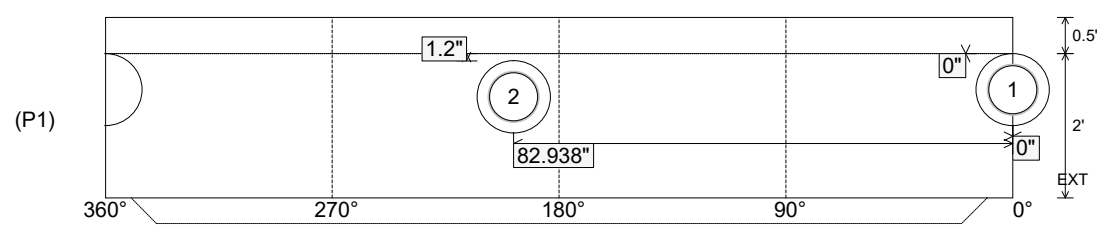
Position	Elev	Angle	Ext. (cw)	Pipe	Pipe OD	Connector	Hole	Horz Size	Up (↓)	Offset
Invert 1	563.81'	0°	0"	8" PVC SDR26	8.5"	Kor-N-Seal1 S106-12AW	12"	12.129"	0"	0"
Invert 2	563.91'	198°	100.217"	8" PVC SDR26	8.5"	Kor-N-Seal1 S106-12AW	12"	12.129"	1.2"	0"
Invert 3										
Invert 4										
Invert 5										
Invert 6										
Invert 7										
Invert 8										

RIGHT-SIDE UP VIEW (int. dimensions)

UPSIDE-DOWN VIEW (int. dimensions)



INSIDE WALL DIMENSIONS



Coating (Int): Coating (Ext):	Seam Up: Tongue Seam Dn: n/a	Wall Thickness: 5" Floor Height: 0.5'	Height (Int): 2' Height (Ext): 2.5'	Weight (Net): 2911 lb Volume (Net): 0.74cu.yd
----------------------------------	---------------------------------	--	--	--